

# Installation Instructions

## 24" Gas Built-In Oven JGRP20

If you have questions, call GE Appliances at 800.GE.CARES (800.432.2737) or Visit our Website at: [GEAppliances.com](http://GEAppliances.com).

### BEFORE YOU BEGIN

Read these instructions completely and carefully.

#### IN THE COMMONWEALTH OF MASSACHUSETTS:

- This product must be installed by a licensed plumber or gas fitter.
- When using ball-type gas shut-off valves, they shall be the T-handle type.
- A flexible gas connector, when used, must not exceed 3 feet.
- **IMPORTANT** — Save these instructions for local inspector's use.
- **IMPORTANT** — Observe all governing codes and ordinances.
- **IMPORTANT** — Leak testing of the appliance shall be conducted according to the manufacturer's instructions.
- **Note to Installer** – Be sure to leave these instructions with the Consumer.
- **Note to Consumer** – Keep these instructions for future reference.
- **Skill level** – Installation of this appliance requires basic mechanical skills.
- **Completion time** – 1 to 3 hours
- Proper installation is the responsibility of the installer.
- Product failure due to improper installation is not covered under the Warranty.

**▲WARNING** This appliance must be properly grounded.

### FOR YOUR SAFETY

**▲WARNING** If the information in this manual is not followed exactly, a fire, explosion or gas leak may result, causing property damage, personal injury or death.

DO NOT STORE OR USE GASOLINE OR OTHER FLAMMABLE VAPORS AND LIQUIDS IN THE VICINITY OF THIS OR ANY OTHER APPLIANCE!



#### WHAT TO DO IF YOU SMELL GAS:

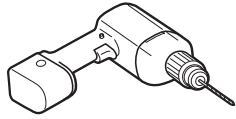
- Do not try to light any appliance.
- Do not touch any electrical switch; do not use any phone in your building.
- Immediately call your gas supplier from a neighbor's phone. Follow the gas supplier's instructions.
- If you cannot reach your gas supplier, call the fire department.

Installation and service must be performed by a qualified installer, service agency or the gas supplier.

- Be sure your oven is installed properly by a qualified installer or service technician.
- Be sure the oven is securely installed in a cabinet that is firmly attached to the house structure. Weight on the oven door could cause the oven to tip, resulting in serious personal injury or death. Never allow anyone to climb, sit,

# Installation Preparation

## TOOLS YOU WILL NEED



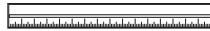
Drill with 1/8" Bit



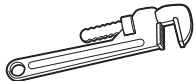
Safety Glasses



Adjustable Wrench



Ruler



Pipe wrench



Pencil



3/16" Hex Socket Driver



12" Spirit Level

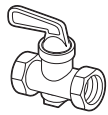


#1 or #2  
Phillips Screwdriver



Hand Saw

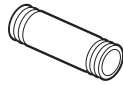
## MATERIALS YOU MAY NEED



Gas line  
shut-off valve



Pipe joint sealant



1/2" pipe nipple

### FOR FLEXIBLE CONNECTION WHERE LOCAL CODES PERMIT:

- Coated and approved flexible metal tubing (same 3/4" or 1/2" I.D. as gas supply line)
- Adaptor or connector

### FOR RIGID CONNECTION:

- Pipe fittings or union as required

## 1 GAS REQUIREMENTS

You must follow local codes when installing your built-in oven. Check with your local utilities for codes and ordinances that apply in your area. If there are no local codes, you must follow the National Fuel Gas Code ANSI/Z223.1 – Latest Edition. To get a copy write to:

American Gas Association  
1515 Wilson Boulevard  
Arlington (Rosslyn), VA 22209

This standard does not cover the thermal efficiency of household cooking gas appliances since it is regulated by the Energy Policy and Conservation Act of 1975, the National Energy Conservation Policy Act of 1978 and the National Appliance Energy Conservation Act of 1987.

If the oven is to be installed in a mobile home, the installation must conform to the Manufactured Home Construction and Safety Standard, Title 24, CFR, Part 3280 or, when not applicable, the Standard for Manufactured Home Installations ANSI/ A225.1 – Latest Edition and Manufactured Home Installations, Sites and Communities ANSI/ NFPA 501A, or with local codes. You can get a copy of the Federal Standard by writing:

Office of Mobile Home Standards  
HUD Building  
451 7th Street, S.W.  
Washington, D.C. 24010.

## 2 ELECTRICAL REQUIREMENTS

This appliance must be electrically grounded. Check with your local codes which apply in your area. If no local codes apply, the National Electrical Code, ANSI/NFPA No. 70 – Latest Edition must be followed. Write to:

NATIONAL FIRE PROTECTION  
ASSOCIATION  
BATTERYMARCH PARK  
QUINCY, MA 02269

# Installation Preparation

## 3 PREPARE THE OPENING

Cabinet space: 24" min. depth  
24" min. width

Cutout: 22 3/16" width  
38" height  
3/8" min. on either side  
(See Fig. 2)

It's best to use a template to make a straight cut. Place the template on a level base line, 22" to 28" above the floor. This will place the oven cavity 36" or 42" above the floor.

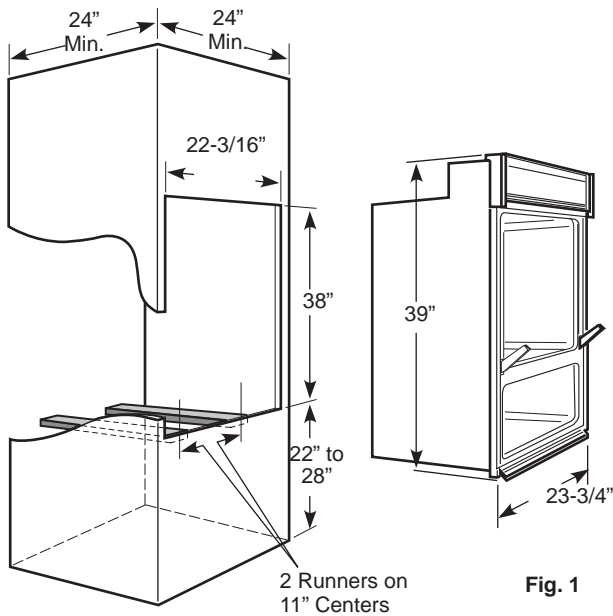


Fig. 1

**\* SHOULD BE ADJUSTED TO SUIT BOTH STANDARD CABINETRY AND DESIRED OVEN WORKING HEIGHT**

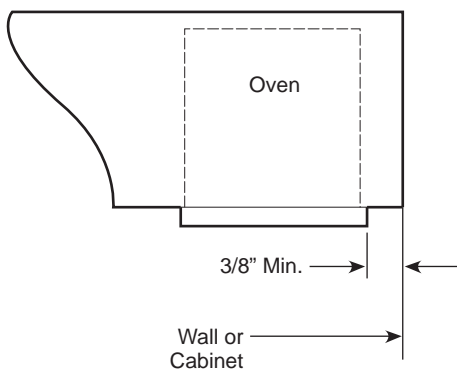


Fig. 2



The cabinet must have solid sides, back and bottom. The bottom must be solid either at floor level or with the bottom edge of the cutout. Any openings around the gas or electrical outlets must be sealed. All cabinet openings must be sealed at the time of installation to prevent drafts. Drafts will affect safe use of the oven.

### SPECIAL NOTES:

- Make sure the oven is installed at the specified height. The unit has been tested and approved for installation, in accordance with safety standards at this height.
- If the floor is to be the solid bottom, two runners, centered within the cutout opening 11" apart may be used to support the oven. These runners must support 130 lbs. and must be level and straight.
- The wall coverings, countertops and cabinets around the oven should be able to withstand temperatures of up to 200°F generated by the oven.

### IF YOU ARE REPLACING A UNIT THAT HAS A CUTOUT HEIGHT OF MORE THAN 38":

- Shut off the main gas supply before removing the existing oven. Leave the gas off until the new hookup is complete.
- Measure how much your cutout height exceeds 38".
- Raise your gas inlet pipe if necessary.
- Remove the storage drawer.
- Extend the leg levelers (using a 3/16" hex socket driver) by the amount measured in Step B.
- Insert the oven into the cutout and adjust the levelers so that the oven racks are level and the top of the control panel overlaps the top of the cutout.

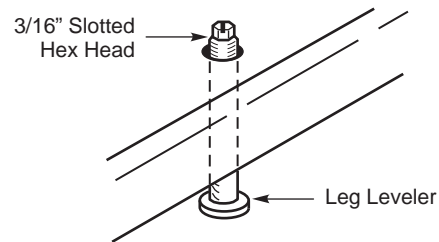


Fig. 3

# Installation Instructions

## INSTALL THE OVEN

### 4 ELECTRICAL CONNECTIONS

An adequate electrical supply and outlet must be used to operate the electrical parts of your oven.

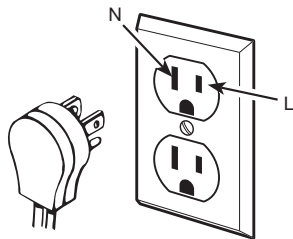
- A. The oven cord has a three-prong plug and must be used with a properly grounded three-hole outlet with a standard 120 Volt, 60 cycle AC household current.
- B. Install the electrical outlet below the oven on the left side, in a location that is easily reached through the cabinet doors (see Fig. 6).
- C. If you do not have a three-hole grounded outlet, have a qualified electrician change your old one.
- D. A grounding adaptor will be needed to convert the old one until the outlet can be replaced. This method is only temporary, and a qualified electrician should test it to be sure it meets requirements.

Always unplug the oven cord before making any electrical repairs to the oven. When unplugging the oven, always grasp the plug, never the cord.

**⚠ WARNING NEVER USE AN EXTENSION CORD TO CONNECT THE OVEN TO THE ELECTRICAL SUPPLY.**

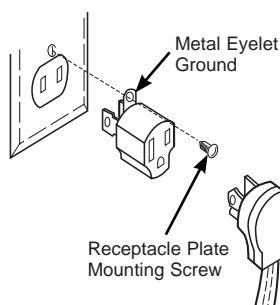
**⚠ WARNING Do not under any circumstances cut or remove grounding prong from oven cord. Failure to provide proper polarization may create a hazardous condition.**

Plug with ground prong properly polarized and grounded receptacle.



Preferred Method  
Fig. 4

Polarized receptacle properly grounded.



Temporary Method  
Fig. 5

### 5 GAS CONNECTIONS

**⚠ WARNING Do not operate the burners of this oven when using LP (bottled) gas before converting the pressure regulator and burner orifice for LP gas usage.**

See page 2 for all gas requirements.

- A. Shut off the gas supply at the shut-off valve.
- B. Remove the existing oven (if necessary).
- C. Discard any old or used connectors.

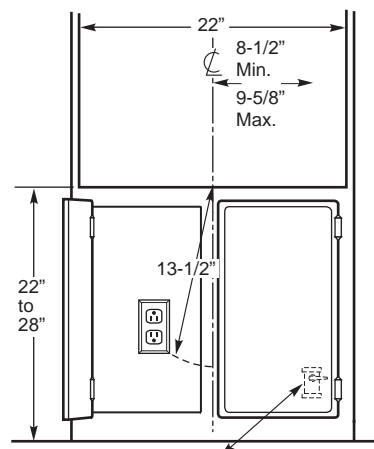
**⚠ WARNING Never reuse old flexible connectors. The use of old flexible connectors can cause gas leaks and personal injury. Always use new connectors when installing a gas appliance.**

- D. Be sure no strain has been placed on the connecting line assembly.

To prevent any leaks, use a pipe joint compound that resists the action of LP gas on the male outside threads.

- E. Use a 1/2" gas inlet pipe.

- F. The hole for the inlet pipe should be 8 1/2" min. to 9 5/8" max. right of the centerline and 23" behind the front surface of the cabinet.



Recommended Main Shut-Off Location  
(The regulator also has a shut-off lever)

Fig. 6

- G. Install a shut-off valve to the pipe.
- H. Remove the storage drawer and the oven door.

# Installation Instructions

## 5 GAS CONNECTIONS (Cont.)

I. Place the oven in the cutout.

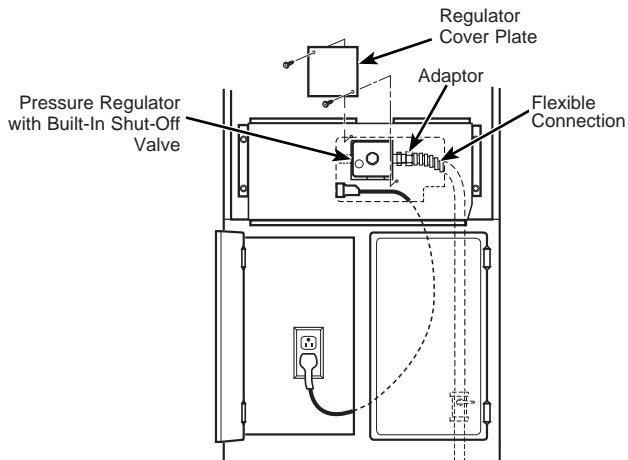
J. Level the oven:

1. Place a spirit level on one of the oven racks.
2. If the oven is not level, adjust the leg levelers.
3. Remove regulator cover at the back of the storage drawer area by removing 4 screws.

With the oven in place, the pressure regulator inlet is accessible through the opening in the main back.

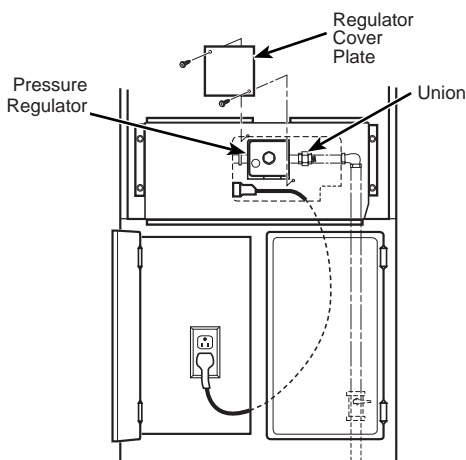
K. Through this opening connect:

1. The flexible connection and the adaptor (see Fig. 7).  
or
2. The rigid pipe connection and union to the shutoff valve (see Fig. 8).



FLEXIBLE HOOK-UP

Fig. 7



RIGID HOOK-UP

Fig. 8

L. Tighten the fitting.

**⚠ WARNING** DO NOT FORCE! FORCING COULD DAMAGE THE FITTING, TUBING OR CAUSE LEAKING.

## 6 CHECK FOR LEAKS

**⚠ WARNING** DO NOT USE OPEN FLAME TO CHECK FOR LEAKS!

- A. Apply a soap solution to all connections: supply line, manifold and oven.
- B. Turn on the main gas supply.
- C. Check for any bubbles to form.
- D. Turn off main gas supply.
- E. Stop any leaks found.
- F. Turn main gas supply on to make sure all leaks were stopped.
- G. Replace the regulator cover using the 4 screws previously removed.

**⚠ WARNING** ALL LEAKS MUST BE STOPPED BEFORE ATTEMPTING TO LIGHT BURNERS.

## 7 PRESSURE TEST INFORMATION

- A. The maximum allowable pressure for the regulator is 14" W.C.
- B. The minimum pressure needed to check the regulator setting is 11" W.C. for LP gas and 5" W.C. for Natural.

**⚠ CAUTION** The range and its individual shutoff valve must be disconnected from the gas supply piping system during any pressure testing of the gas supply system at test pressures in excess of 1/2 psig (pound per square inch gauge).

The range must be isolated from the gas supply piping system by closing its individual manual shut-off valve during any pressure testing of the gas supply system at test pressures equal to or less than 1/2 psig.

# Installation Instructions

## INSTALL THE OVEN (Cont.)

### 8 CHECK THE BURNER FLAMES FOR NATURAL GAS

The oven is factory-adjusted for use with Natural Gas in most areas. But, since the gas in some areas may vary, you should check all adjustments described below. If you are to use LP Gas, see LP Adjustments at the back of this guide.

**NOTE:** Bake and broil flame must be checked with the door closed to properly check flame characteristics. To properly check the bake burner, the oven bottom and oven baffle must be removed.

Turn on the bake or broil burner.

As you watch the flame with the oven door closed, check the following through the oven door window:

1. Burner flames should not flutter or blow away from the burner.
2. They should be blue in color with no trace of yellow.
3. The inner cone of the flame should be approximately 1/2" to 3/4" long.

**BURNERS SHOULD BE CHECKED FREQUENTLY.**

### 9 MAKE THE BURNER FLAME ADJUSTMENT

#### BAKE BURNER

- A. Open the oven door.
- B. Remove the oven bottom.
- C. Remove 4 screws to remove baffle (flame spreader).

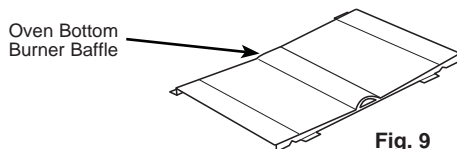


Fig. 9

- D. Remove orifice fitting cover.

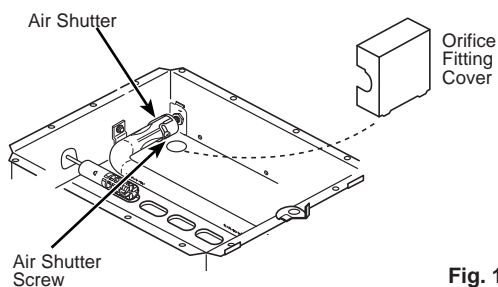


Fig. 10

### 9 MAKE THE BURNER FLAME ADJUSTMENTS (Cont.)

- E. Use a screwdriver to loosen the air shutter screw.
  1. If the flames were yellow, open the air shutter more than the original setting.
  2. If the flames blew away or fluttered from the burner, close the air shutter more than the original setting.
- F. Make the adjustment.
- G. Retighten the air shutter screw.
- H. Close the door and recheck the flame.

#### When the results are satisfactory:

1. Replace the orifice fitting cover.
2. Replace the oven baffle (flame spreader).
3. Replace the oven bottom.

#### BROIL BURNER

- A. The broil burner is located and accessible in the top rear of the oven.
- B. Use a screwdriver to loosen the air shutter adjustment screw.
  1. Check air shutter to ensure it's in the fully open position and clear of any obstructions. For NG application ensure that the regulator is in the NG position. For LP applications ensure that the hood has been tightened to the LP position.
  2. If the flames blew away or fluttered from the burner, close the air shutter more than the original setting.
- C. Make the adjustment.
- D. Retighten the air shutter screw.
- E. Close the oven door and recheck the flame.

# Installation Instructions

---

## 10 SECURE THE OVEN



**IMPORTANT:** Remove all packing material and literature from the oven before connecting any electrical supplies.

- A. Using a 1/8" drill bit, drill holes through the side trim and into the cabinet front.
- B. With the screws provided, secure the oven to the wall.
- C. If the cabinet cutout is 38" high, use the short trim and attach to the bottom of the front frame, with screws provided.

(If the cutout is higher than 38" , use the taller trim.)

## 11 RECHECK STEPS

Double check to make sure everything in this guide has been completed. Rechecking steps will ensure safe use of the oven.

**⚠ WARNING** The trim permits air entry into the cabinet below the unit and must not be blocked.



# Installation Instructions

## MAKE THE LP GAS CONVERSION

**⚠ WARNING** If you are using LP (bottled) gas, all the adjustments described below must be made before you make any burner adjustments or use the oven.

**⚠ WARNING** This conversion must be performed by a qualified installer or gas supplier in accordance with the manufacturer's instructions and all codes and requirements of the authority having jurisdiction. Failure to follow instructions could result in serious injury or property damage. The qualified agency performing this work assumes responsibility for the conversion.

**NOTE:** Disconnect all electrical power and turn off the gas supply at the shut-off valve before beginning the conversion.

### 1 ADJUST PRESSURE REGULATOR FROM NATURAL GAS TO LP

- A. Remove the Regulator Cover Plate at the back of the storage drawer area by removing 2 screws.
- B. Locate the regulator.

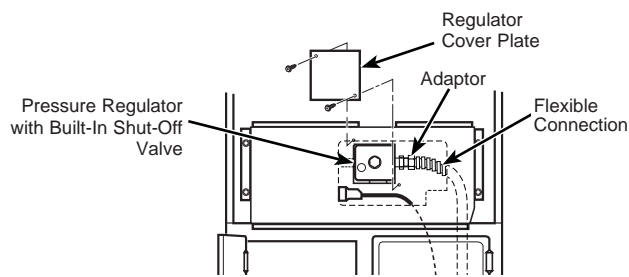


Fig. 11

- C. Unscrew the cap.

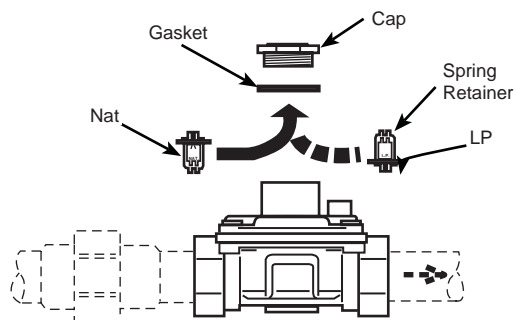


Fig. 12

### 1 ADJUST PRESSURE REGULATOR FROM NATURAL GAS TO LP (Cont.)

- D. Remove the retainer from the cap.
- E. Turn the retainer over so LP is showing on the bottom of the retainer.
- F. Return the retainer inside the cap.
- G. Replace the cap on the regulator.
- H. Replace the Regulator Cover Plate using the 2 screws that held it originally.

### 2 ADJUST BURNER ORIFICE FROM NATURAL TO LP GAS

**⚠ CAUTION** The adjustments in the next column must be made before turning on the burners. Failure to do so could result in serious injury due to high flames and toxic fumes.

Your Broil burner is located in the upper portion of the oven and is easily accessible.

To access your Bake burner follow the steps below:

- A. Open the oven door.
- B. Remove the oven bottom.
- C. Remove 4 screws holding the oven baffle (flame spreader).

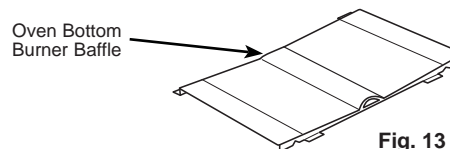


Fig. 13

- D. Remove the orifice fitting cover.

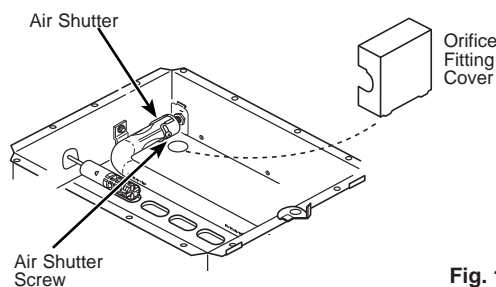


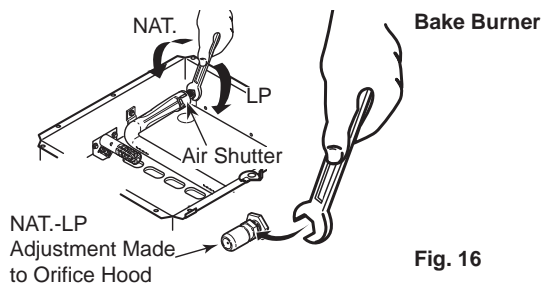
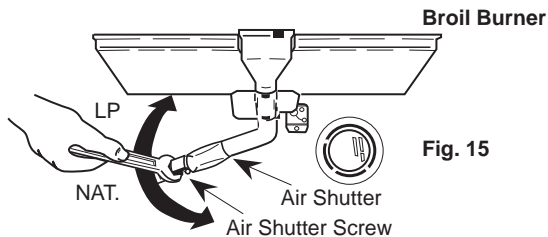
Fig. 14



# Installation Instructions

## 3 FOR BAKE AND BROIL BURNERS

Use a 1/2" open end or adjustable wrench to turn the orifice hood in the LP direction, about 1-1/2 turns, until snug.

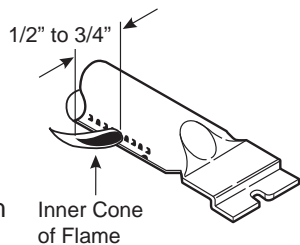


**IMPORTANT:** Do not overtighten or you may bend the orifice hood or needle.

## 4 CHECK FLAME SIZE

Check the inner cone of the flame. It should be approximately 1/2" to 3/4" long for the oven and broil burners until snug.

If the flame size is too long, use a 1/2" open-end wrench or adjustable joint pliers to adjust the orifice hood, by turning in the LP direction.



**WARNING** If you attempt to measure the inner cone of the flame, please use caution; burns could result.

## 5 ADJUST AIR SHUTTER

**NOTE:** The Bake and Broil burner flame must be checked with the door closed to properly check flame characteristics.

Turn on the bake or broil burner.

As you watch the flame with the oven door closed, check the following through the oven door window:

- A. Burner flames should not flutter or blow away from the burner.
- B. They should be blue in color with no trace of yellow.
- C. The inner cone of the flame should be approximately 1/2" to 3/4" long.

### IN SOME CASES

- A. With LP gas, some yellow tipping on the outer cone is normal.
- B. Foreign particles in the gas line may cause an orange flame at first, but this will soon disappear.

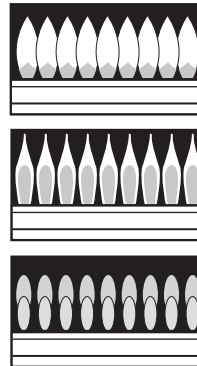


Fig. 18

# Installation Instructions

## MAKE THE LP GAS CONVERSION (Cont.)

### 5 ADJUST AIR SHUTTER (Cont.)

#### BAKE BURNER

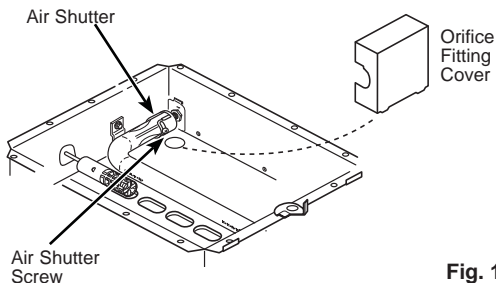


Fig. 19

- A. Use a screwdriver to loosen the air shutter screw.
  1. If the flames were yellow, open the air shutter more than the original setting.
  2. If the flames blew away or fluttered from the burner, close the air shutter more than the original setting.
- B. Make the adjustment.
- C. Retighten the air shutter screw.
- D. Close the oven door and recheck the flame.
- E. When all adjustments are made and the results are satisfactory:
  1. Replace the orifice fitting cover.
  2. Replace the oven baffle (flame spreader).
  3. Replace the oven bottom.

### 5 ADJUST AIR SHUTTER (Cont.)

#### BROIL BURNER

- A. The broil burner is located and accessible in the top rear of the oven.
- B. Use a screwdriver to loosen the air shutter adjustment screw.
  1. Check air shutter to ensure it's in the fully open position and clear of any obstructions. For NG application ensure that the regulator is in the NG position. For LP applications ensure that the hood has been tightened to the LP position.
  2. If the flames blew away or fluttered from the burner, close the air shutter more than the original.
- C. Make the adjustment.
- D. Retighten the air shutter screw.
- E. Close the oven door and recheck the flame.

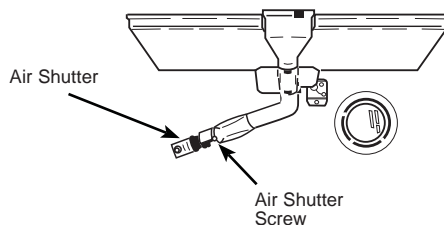


Fig. 20

**SPECIAL NOTE:** To convert the oven back to natural gas, reverse the instructions given in making LP Adjustments.

#### **⚠ WARNING**

Once the conversion is complete, locate the LP Conversion Sticker under the storage drawer on the main bottom. When the Conversion checks OK, fill out the LP sticker and include your name, organization and date conversion was made. Apply the sticker to the front frame opposite the name and number plate behind the storage drawer to alert others in the future that this appliance has been converted to LP. If converting back to natural gas from LP, please remove the sticker so others know the appliance is set to use natural gas.

# Instrucciones de Instalación

## Horno A Gas Empotrado de 24” JGRP20

¿Preguntas? Llame al 1.800.GE.CARES (800.432.2737) o bien visite nuestra página Web:  
GEAppliances.com

### ANTES DE EMPEZAR:

Lea estas instrucciones y las advertencias completa y cuidadosamente.

### EN LA MANCOMUNIDAD DE MASSACHUSETTS:

- Este producto debe ser instalado por un plomero licenciado o por un técnico de gas.
- Cuando se encuentre usando válvulas de desconexión de gas tipo bola, deben ser del tipo T.
- Un conector de gas flexible,

■ **IMPORTANTE** — Guarde estas instrucciones para su uso por el inspector local.

■ **IMPORTANTE** — Observe todos los códigos y ordenanzas vigentes.

■ **IMPORTANTE** — La prueba de escape de gas del aparato deberá conducirse de acuerdo a las instrucciones del fabricante.

■ **Nota al instalador** – Asegúrese de dejar estas instrucciones con el cliente.

■ **Nota al consumidor** – Guarde estas instrucciones para referencia futura.

■ **Nivel de destreza** – La instalación de este aparato requiere de destrezas mecánicas básicas.

■ **Tiempo de instalación** – 1 a 3 horas

■ La instalación apropiada es la responsabilidad del instalador.

■ La falla del producto debido a una instalación inadecuada no está cubierta por la garantía.

**▲ADVERTENCIA** Este aparato debe hacer tierra adecuadamente.

### PARA SU SEGURIDAD:

**▲ADVERTENCIA** Si la información en este manual no se sigue exactamente, podría resultar un incendio, una explosión o un escape de gas que causen daño a la propiedad, heridas personales o muerte.

¡NO ALMACENE O USE GASOLINA U OTROS VAPORES O LIQUIDOS INFLAMABLES CERCA DE ESTE O CUALQUIER APARATO ELECTRODOMÉSTICO!



### QUE HACER SI HUELE GAS:

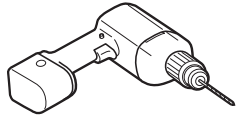
- No trate de encender ningún aparato.
- No toque ningún interruptor eléctrico; no use ningún teléfono en su edificio.
- Inmediatamente llame a su abastecedor de gas usando el teléfono de un vecino. Siga las instrucciones del abastecedor de gas.
- Si no puede comunicarse con el abastecedor de gas, llame a la compañía de bomberos.

La instalación y el servicio deben ser hechos por un instalador competente, una agencia de servicio o el abastecedor de gas.

- Asegúrese que su horno sea instalado adecuadamente por un instalador competente o un técnico de servicio.
- Asegúrese que el horno quede bien instalado en un gabinete que esté firmemente pegado a la estructura de la casa. Peso sobre la puerta puede causar que el horno se vuelque resultando en serias heridas personales o muerte. Nunca permita que alguien se suba, se afirme, se pare o se cuelgue de la puerta del horno.

# Preparación de Instalación

## LISTA DE HERRAMIENTAS



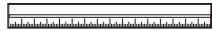
Taladro con Punta de 1/8"



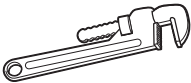
Gafas de seguridad



Llave inglesa ajustable



Regla y vara derecha para medir



Llave inglesa para cañerías



Lápiz



Soquete hexagonal  
Nivel de espíritu de 12"



Nivel de espíritu de 12"

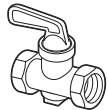


Destornillador  
Phillips No. 1 o No. 2



Sierra manual o eléctrica

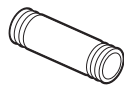
## MATERIALES ADICIONALES QUE PODRÍA NECESITAR:



Válvula de cierre para la línea del gas



Sello para las uniones de cañerías



1/2" pipe nipple

## PARA CONEXIONES FLEXIBLES DONDE LAS PERMITAN LOS CÓDIGOS LOCALES:

- Tubería flexible de metal revestida y aprobada (3/4" o 1/2" I.D. igual a la línea abastecedora del gas)
- Adaptador o conector

## PARA CONEXIONES RÍGIDAS:

- Junturas o uniones para cañerías requeridas

## 1 REQUERIMIENTOS DE GAS

Usted debe cumplir con los códigos locales cuando instale su horno. Consulte con su compañía de gas local acerca de las leyes y ordenanzas locales que se aplican en su área. Si no existen códigos locales, usted debe cumplir con el National Fuel Gas Code ANSI/Z223.1 – Latest Edition. Para obtener una copia escriba a:

American Gas Association  
1515 Wilson Boulevard  
Arlington (Rosslyn), VA 22209

Esta norma no cubre la eficiencia termal de los aparatos para cocinar a gas de la casa ya que esto es regulado por la Energy Policy and Conservation Act de 1975, la National Energy Conservation Policy Act de 1978 y la National Appliance Energy Conservation Act de 1987.

Si el horno va a ser instalado en una casa móvil, la instalación debe cumplir con Manufactured Home Construction and Safety Standard, Title 24, CFR, Part 3280 o, cuando no es aplicable, el Standard for Manufactured Home Installations ANSI/A225.1 – Latest Edition and Manufactured Home Installations, Sites and Communities ANSI/NFPA 501A, o con los códigos locales. Usted Puede obtener una copia del Federal Standard escribiendo a:

Office of Mobile Home Standards  
HUD Building  
451 7th Street, S.W.  
Washington, D.C. 24010.

## 2 REQUERIMIENTOS ELÉCTRICOS

Este aparato debe hacer tierra. Consulte los códigos locales que se aplican en su área. Si no existen códigos locales, debe cumplir con el National Electrical Code, ANSI/NFPA No. 70 – Latest Edition. Escriba a:

NATIONAL FIRE PROTECTION  
ASSOCIATION  
BATTERYMARCH PARK  
QUINCY, MA 02269

# Instrucciones de Instalación

## 3 PREPARE LA ABERTURA

Espacio del gabinete: 24" mín. de profundidad  
24" mín. de anchura

Abertura:: 22 3/16" de anchura  
38" de altura  
3/8" mín. en ambos lados  
(Vea Fig. 2)

Es buena idea usar un molde para hacer un corte derecho. Coloque el molde sobre una línea base nivelada, 22" a 28" del piso. Esto colocará la cavidad del horno a 36" o 42" del piso.

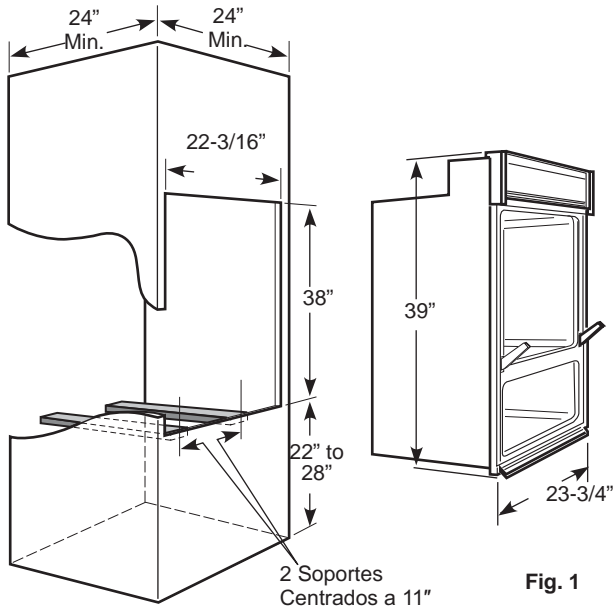


Fig. 1

\* DEBERÍA SER AJUSTADO PARA ACOMODAR LOS GABINETES NORMALES Y LA ALTURA DEL HORNO.

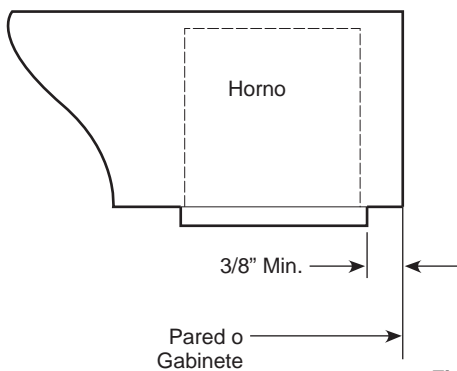


Fig. 2



El gabinete debe tener fondo, posterior y lados sólidos. El fondo debe ser sólido, a nivel del piso o con el borde sólido del fondo del corte. Todas las aberturas del gabinete deben estar selladas en el momento de la instalación para prevenir corrientes de aire. Las corrientes de aire afectarán el uso seguro del horno.

### NOTAS ESPECIALES:

- Asegúrese de instalar el horno a la altura especificada. La unidad ha sido probada y aprobada para la instalación de acuerdo a las normas de seguridad a esta altura.
- Si el piso va a ser el fondo sólido, dos soportes, centrados a 11" uno del otro dentro del corte pueden ser usados para sujetar el horno. Estos soportes deben sostener 130 libras y deben ser nivelados y derechos.
- Los revestimientos de las paredes, la superficie de los mesones y los gabinetes alrededor del horno deberían soportar

### SI ESTÁ REEMPLAZANDO UNA UNIDAD QUE TIENE UN CORTE DE MAS DE 38" DE ALTURA:

- Cierre el suministro de gas principal antes de sacar el horno existente. Deje el gas apagado hasta que la nueva conexión haya sido completada.
- Mida la cantidad del corte que excede 38".
- evante la cañería de entrada del gas si es necesario.
- Saque el cajón.
- Extienda los niveladores de las patas (con un soquete hexagonal de 3/16") por la cantidad medida en Paso B.
- Encaje el horno en el corte y ajuste los niveladores de manera que las parrillas del horno queden niveladas y que la parte de arriba del panel de control quede sobre la parte superior del corte.

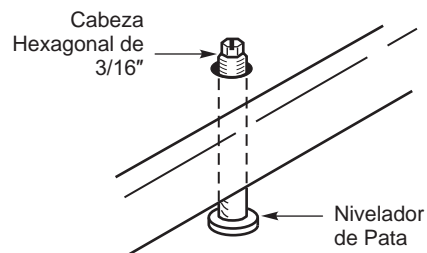


Fig. 3

# Instrucciones de Instalación

## INSTALACIÓN DEL HORNO

### 4 CONEXIONES ELÉCTRICAS

Un abastecimiento y receptáculo eléctrico adecuado debe ser usado para operar las partes eléctricas de su horno.

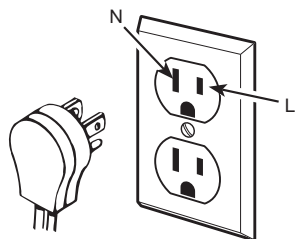
- A. El cordón del horno tiene un enchufe de tres patas y debe ser usado con un receptáculo de tres hoyos que haga tierra adecuadamente con corriente alterna normal de casa de 120 Voltios, 60 Ciclos.
- B. Instale el receptáculo eléctrico más abajo del horno en el lado izquierdo, en un lugar donde se pueda alcanzar fácilmente a través de las puertas del gabinete. (Vea Fig. 6).
- C. Si no tiene un receptáculo de tres hoyos que haga tierra, haga que un electricista calificado le cambie el antiguo.
- D. Un adaptador para hacer tierra se necesitará para convertir el receptáculo viejo hasta que pueda ser reemplazado. Este método es sólo provisorio, y un electricista calificado lo debería probar para estar seguro que cumple con los requerimientos.

Siempre desenchufe el cordón del horno antes de hacer cualquier reparación al horno. Cuando desenchufe el horno, siempre tome el enchufe, nunca el cordón.

**⚠ADVERTENCIA** NUNCA USE UN CORDÓN DE EXTENSIÓN PARA CONECTAR EL HORNO A LA ELECTRICIDAD.

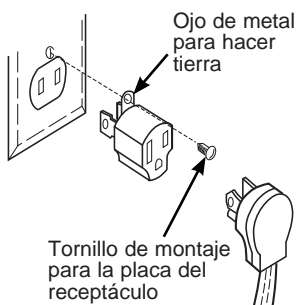
**⚠ADVERTENCIA** Bajo ninguna circunstancia corte o saque la pata para hacer tierra del cordón del horno. No proveer una polarización adecuada podría crear una condición peligrosa.

Enchufe con pata para hacer tierra polarizado adecuadamente y receptáculo que hace tierra



Método Preferido  
Fig. 4

Receptáculo polarizado que hace tierra adecuadamente



Método Provisorio

Fig. 5

### 5 CONEXIONES DEL GAS

**⚠ADVERTENCIA** No haga funcionar los quemadores de este horno cuando use gas LP (embotellado) antes de convertir el regulador de presión y el orificio del quemador para uso con gas LP.

Vea la página 2 para todos los requerimientos de gas.

- A. Cierre el suministro del gas en la válvula de cierre.
- B. Saque el horno existente (si es necesario).
- C. Bote todos los conectores viejos o usados.

**⚠ADVERTENCIA** Nunca reutilice conectores flexibles viejos. El uso de conectores flexibles viejos puede causar escapes de gas y heridas personales. Siempre utilice conectores nuevos cuando instale una estufa a gas.

- D. Asegúrese de no ejercer presión sobre el juego de la línea de conexión.

Para prevenir cualquier escape, use un compuesto para unión de cañerías que sea resistente al gas LP sobre los hilos machos exteriores.

- E. Use una cañería de entrada de 1/2".

- F. El hoyo para la cañería de entrada debería ser de 8 1/2" mín. a 9 5/8" máx. a la derecha de la línea de centro y 23" detrás del frente de la superficie del gabinete.

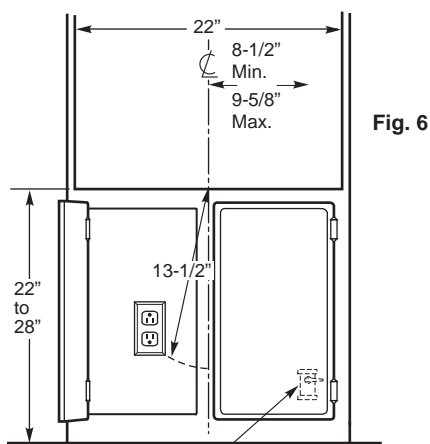


Fig. 6

Ubicación Recomendada del Cierre Principal  
(El regulador también tiene una manilla de cierre)

- G. Instale la válvula de cierre en la cañería.
- H. Saque el cajón y la puerta del horno.



# Instrucciones de Instalación

## INSTALACIÓN DEL HORNO (Cont.)

### 5 CONEXIONES DEL GAS (Cont.)

I. Coloque el horno en el corte.

J. Nivele el horno:

1. Coloque el nivel de espíritu sobre una de las parrillas del horno.
2. Si el horno no está nivelado, ajuste los niveladores de las patas.
3. Remueva la cubierta del regulador en la parte posterior del área del cajón de almacenamiento, removiendo los 4 tornillos.

Con el horno en su lugar, la entrada del regulador de presión es accesible a través de la abertura en la espalda principal.

K. A través de esta abertura conecte:

1. La conexión flexible y el adaptador (vea Fig. 7).  
or
2. La conexión de cañerías rígidas y la unión a la válvula de cierre (vea Fig. 8).

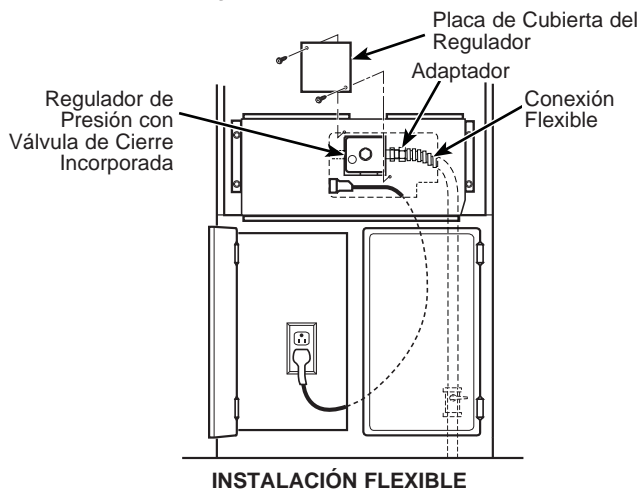


Fig. 7

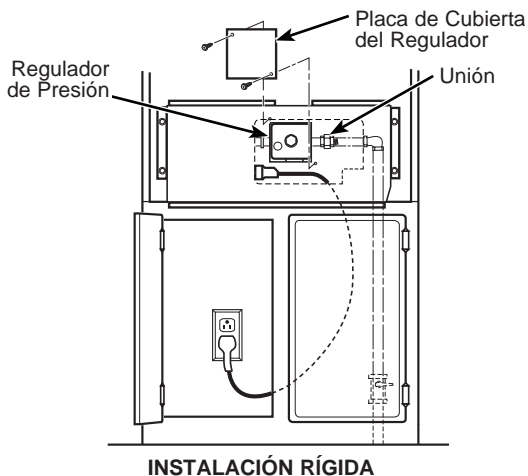


Fig. 8

L. Apriete las conexiones.

**⚠ ADVERTENCIA** ¡NO FUERCE! SI FUERZA PODRÍA DAÑAR LAS UNIONES, LAS CAÑERÍAS O CAUSAR ESCAPES.

### 6 REVISE QUE NO HAYAN ESCAPES

**⚠ ADVERTENCIA** ¡NO USE UNA LLAMA ABIERTA PARA VER SI EXISTEN ESCAPES DE GAS!

- A. Aplique una solución de jabón a todas las conexiones: línea de abastecimiento, cañerías y horno.
- B. Abra el suministro principal del gas.
- C. Ve a si se forman burbujas.
- D. Cierre el suministro principal del gas.
- E. Detenga cualquier escape que haya encontrado.
- F. Abra el suministro principal del gas para asegurarse que todos los escapes han sido detenidos.
- G. Coloque nuevamente la cubierta del regulador usando los 4 tornillos que se removieron previamente.

**⚠ ADVERTENCIA** TODOS LOS ESCAPES DE GAS DEBEN SER DETENIDOS ANTES DE TRATAR DE ENCENDER LOS QUEMADORES.

### 7 INFORMACIÓN PARA PRUEBAS DE PRESIÓN

- A. La presión permisible máxima para el regulador es de 14" W.C. (Columna de Agua).
- B. La presión mínima necesitada para probar la calibración del regulador es de 11" W.C. para gas LP y 5" W.C. para gas natural.

**⚠ PRECAUCIÓN** El horno y su válvula de cierre individual debe ser desconectado del sistema de la línea abastecedora de gas durante cualquier prueba de presión en exceso de 1/2 psig (libra por pulgada cuadrada gauge).

El horno debe ser aislado del sistema de abastecimiento de gas cerrando su válvula de cierre manual durante cualquier prueba al sistema de abastecimiento de gas igual o menor a 1/2 psig.



# Instrucciones de Instalación

## INSTALACIÓN DEL HORNO (Cont.)

### 8 CÓMO REVISAR LAS LLAMAS DE LOS QUEMADORES A GAS NATURAL

El horno viene ajustado de fábrica para ser usado con gas natural en la mayoría de las áreas. Pero, como el gas en algunas áreas varía, usted debe revisar todos los ajustes que se describen más abajo. Si usted va a usar gas LP, mire los Ajustes para Gas LP en la parte final de esta guía.

**NOTA:** La llama para hornear y asar a la parrilla debe ser revisada con la puerta cerrada para revisar adecuadamente las características de la llama. Para revisar correctamente el quemador para hornear, el fondo del horno y el esparcidor de llamas deben ser removidos.

Encienda el quemador para hornear o asar.

Mientras mire la llama con la puerta del horno cerrada, revise lo siguiente a través de la ventana de la puerta:

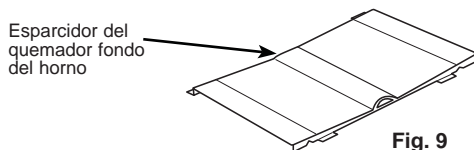
1. Las llamas del quemador no deberían pestañear o soplar en dirección opuesta al quemador.
2. Deberían ser de color azul sin muestras de amarillo.
3. El cono interior de la llama debería ser de 1/2" a 3/4" de longitud.

**LOS QUEMADORES DEBERÍAN SER REVISADOS FRECUENTEMENTE.**

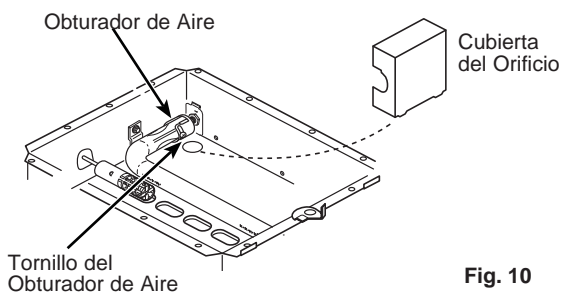
### 9 CÓMO AJUSTAR LAS LLAMAS DEL QUEMADOR

#### QUEMADOR DEL HORNEAR

- A. Abra la puerta del horno.
- B. Saque el fondo del horno.
- C. Saque los 4 tornillos para remover el esparcidor de llamas..



- D. Saque la cubierta del orificio.



### 9 CÓMO AJUSTAR LAS LLAMAS DEL QUEMADOR (Cont.)

- E. Use un destornillador para soltar el tornillo del obturador de aire.
  1. Si las llamas estaban amarillas, abra el obturador más que la posición original.
  2. Si las llamas soplaban en dirección opuesta al quemador, cierre el obturador más que la posición original.
- F. Haga el ajuste.
- G. Apriete nuevamente el tornillo del obturador.
- H. Cierre la puerta y revise nuevamente la llama.

#### Quando los resultados son satisfactorios:

1. Coloque nuevamente la cubierta del orificio.
2. Coloque el esparcidor de llamas en su lugar.
3. Coloque nuevamente el fondo del horno.

#### QUEMADOR PARA ASAR

- A. El quemador para asar está ubicado y es accesible en la parte superior trasera del horno.
- B. Use un destornillador para soltar el tornillo de ajuste del obturador.
  1. Controle el obturador de aire para asegurar que se encuentre en la posición completamente abierta y libre de cualquier obstrucción. Para la aplicación NG, asegúrese de que el regulador se encuentre en la posición NG. Para las aplicaciones de LP, asegúrese de que la campana se haya ajustado en la posición LP.
  2. Si las llamas soplaban en dirección opuesta al quemador, cierre el obturador más que la posición original.
- C. Haga el ajuste.
- D. Apriete nuevamente el tornillo del obturador.
- E. Cierre la puerta del horno y revise nuevamente la llama.

# Instrucciones de Instalación

## INSTALACIÓN DEL HORNO (Cont.)

### 10 CÓMO COLOCAR BIEN EL HORNO



**IMPORTANTE:** Saque todos los materiales de empaque y la literature del horno antes de hacer cualquier conexión eléctrica.

- A. Usando un barreno de 1/8", haga hoyos a través de las molduras laterales y en el frente del gabinete.
- B. Con los tornillos que se proveen, asegure el horno a la pared.
- C. Si el corte del gabinete es de 38" de altura, utilice la moldura corta y péguela al fondo del marco frontal con los tornillos que se proveen.

(Si el corte es de más de 38" de altura, use la moldura más alta).

### 11 REVISE LOS PASOS

Revise varias veces para asegurarse que todo en esta guía ha sido completado. El revisar los pasos le asegurará la utilización segura del horno.

**⚠ ADVERTENCIA** La moldura permite la entrada del aire al gabinete bajo la unidad y no debe ser obstruida.

# Instrucciones de Instalación

## CÓMO HACER LA CONVERSIÓN PARA GAS LP

**▲ADVERTENCIA** Si usted va a usar gas LP (embotellado), todos los ajustes descritos más abajo deben hacer antes de hacer cualquier ajuste a los quemadores o usar el horno.

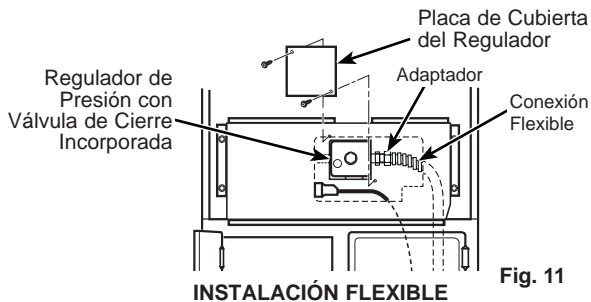
**▲ADVERTENCIA** Esta conversión debe ser hecha por un instalador competente o por el abastecedor de gas de acuerdo con las instrucciones del fabricante y todos los códigos y requerimientos de las autoridades que tienen jurisdicción. El no seguir las instrucciones podría resultar en serias heridas o daño a la propiedad. La agencia calificada que hace este trabajo asume la responsabilidad de la conversión.

**NOTA:** Desconecte toda la electricidad y cierre el paso del gas en la válvula de cierre antes de empezar la conversión.

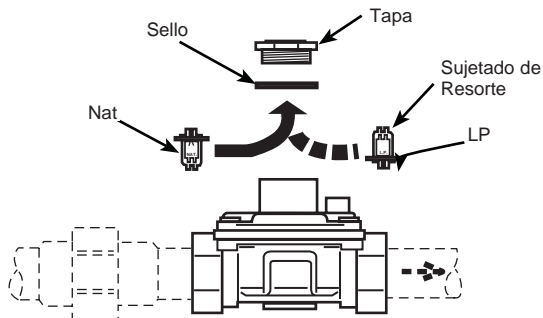
### 1 AJUSTE EL REGULADOR DE PRESIÓN DE GAS NATURAL A GAS LP

A. Retire la Placa Protectora del Regulador desde la parte trasera del área del cajón de almacenamiento, retirando los 2 tornillos.

B. Ubique el regulador.



C. Destornille la tapa.



### 1 AJUSTE EL REGULADOR DE PRESIÓN DE GAS NATURAL A GAS LP(Cont.)

D. Saque el retenedor de la tapa.

E. Invierta el retenedor de manera que LP se vea sobre el fondo del retenedor.

F. Coloque nuevamente el retenedor dentro de la tapa.

G. Coloque nuevamente la tapa sobre el regulador.

H. Reemplace la Placa Protectora del Regulador usando los 2 tornillos que la sostenían originalmente.

### 2 CÓMO AJUSTAR EL ORIFICIO DEL QUEMADOR DE GAS NATURAL A GAS LP

**▲PRECAUCIÓN** Los ajustes en la siguiente columna se deben hacer antes de encender los quemadores. Si no se hace de esa manera podrían resultar heridas serias debido a llamas altas y vapores tóxicos.

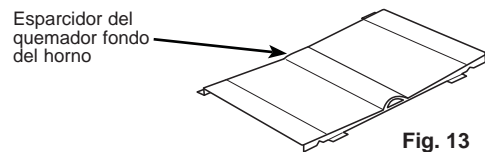
Su quemador para asar a la parrilla está localizado en la porción superior de su horno y el acceso a éste es fácil.

Para lograr acceso a su quemador para hornear siga las instrucciones más adelante:

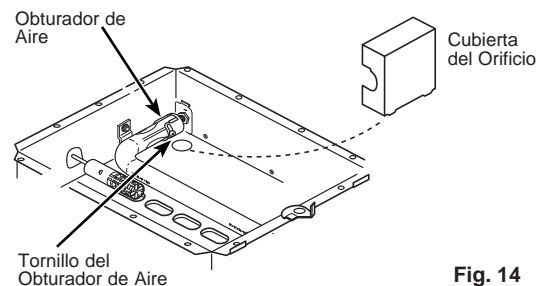
A. Abra la puerta del horno.

B. Saque el fondo del horno.

C. Saque los 4 tornillos que sujetan el esparcidor de llamas.



D. Saque la cubierta del orificio.

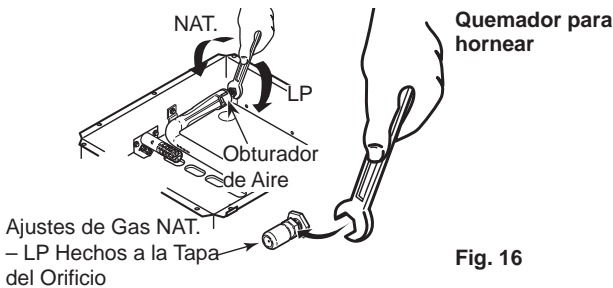
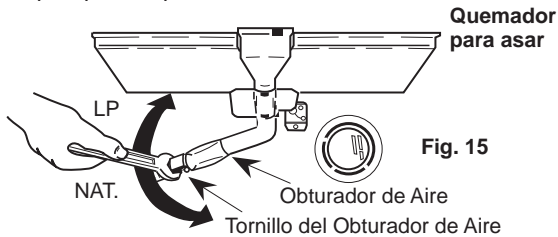


# Instrucciones de Instalación

## CÓMO HACER LA CONVERSIÓN PARA GAS LP (Cont.)

### 3 PARA QUEMADORES PARA HORNEAR Y ASAR

Use una llave de 1/2" o una llave ajustable para hacer girar la tapa del orificio en dirección de LP, aprox. 1 1/2 vuelta, hasta que quede apretada.

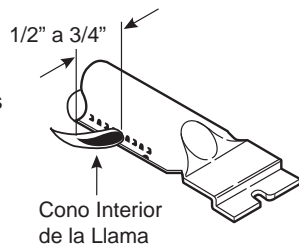


**IMPORTANTE:** No apriete demasiado o podría doblar la tapa del orificio o la aguja.

### 4 CÓMO REVISAR EL TAMAÑO DE LA LLAMA

Revise el cono interior de la llama. Debería ser de aprox. 1/2" a 3/4" de longitud para los quemadores para hornear y para asar.

Si el tamaño de la llama está para alargarse, use una llave abierta de 1/2" o un alicate ajustable para ajustar la tapa del orificio, haciéndola girar hacia LP



**⚠ ADVERTENCIA** Si trata de medir el cono interior de la llama, por favor use precaución; se podría quemar.

### 5 AJUSTE EL OBTURADOR DE AIRE

**NOTA:** Las llamas para hornear y asar se deberían revisar con la puerta cerrada para revisar correctamente las características de la llama.

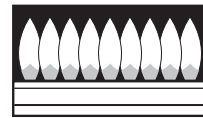
Encienda el quemador para hornear o para asar.

Mientras mira la llama con la puerta cerrada, revise lo siguiente a través de la ventana de la puerta:

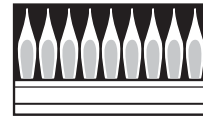
- A. Las llamas del quemador no deberían pestañear o soplar en dirección opuesta al quemador.
- B. Deberían ser de color azul sin muestras de amarillo.
- C. El cono interior de la llama debería ser de aprox. 1/2" a 3/4" de longitud.

#### EN ALGUNOS CASOS

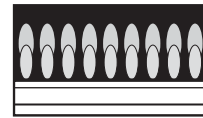
- A. Con el gas LP, un poco de amarillo en las puntas es normal.
- B. Partículas extrañas en la línea del gas podrían causar una llama anaranjada al principio, pero esto desaparecerá pronto.



"A"  
**Llamas Amarillas**  
Llame para un Servicio



"B"  
**Puntas Amarillas**  
Normal para Gas LP



"C"  
**Llamas de Azul Suave**  
Normal para Gas Natural

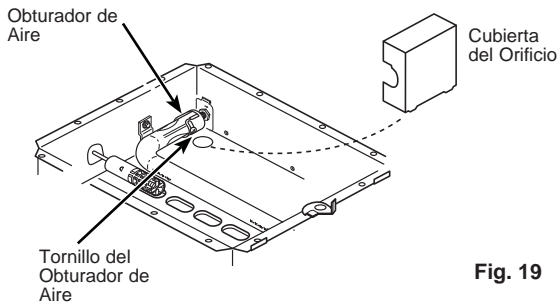
Fig. 18

# Instrucciones de Instalación

## CÓMO HACER LA CONVERSIÓN PARA GAS LP (Cont.)

### 5 AJUSTE EL OBTURADOR DE AIRE (Cont.)

#### QUEMADOR PARA HORNEAR



**A.** Use un destornillador para soltar el tornillo del obturador.

1. Si las llamas estaban amarillas, abra el obturador de aire más que la posición original.
2. Si las llamas soplaban en dirección opuesta al quemador, cierre el obturador de aire más que la posición original.

**B.** Haga el ajuste.

**C.** Apriete nuevamente el tornillo del obturador.

**D.** Cierre la puerta del horno y revise nuevamente la llama.

**E.** Cuando todos los ajustes sean hechos y los resultados son satisfactorios:

1. Coloque nuevamente cubierta del orificio.
2. Ponga en su lugar el esparcidor de llamas.
3. Coloque el fondo del horno nuevamente en su lugar.

### 5 AJUSTE EL OBTURADOR DE AIRE (Cont.)

#### QUEMADOR PARA ASAR

**A.** El quemador para asar está ubicado y es accesible en la parte superior trasera del horno.

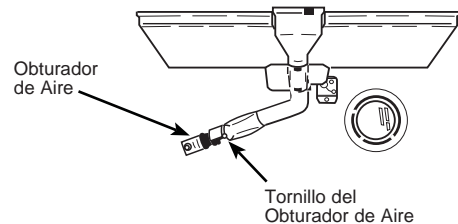
**B.** Use un destornillador para soltar el tornillo del ajuste del obturador de aire.

1. Controle el obturador de aire para asegurar que se encuentre en la posición completamente abierta y libre de cualquier obstrucción. Para la aplicación NG, asegúrese de que el regulador se encuentre en la posición NG. Para las aplicaciones de LP, asegúrese de que la campana se haya ajustado en la posición LP.
2. Si las llamas soplaban en dirección opuesta al quemador, cierre el obturador de aire más que la posición original.

**C.** Haga el ajuste.

**D.** Apriete nuevamente el tornillo del obturador.

**E.** Cierre la puerta del horno y revise nuevamente la llama.



**NOTA ESPECIAL:** Para convertir el horno de vuelta a gas natural, invierta las instrucciones dadas para hacer los ajustes para gas LP

#### ⚠ ADVERTENCIA

Una vez que la conversión esté terminada y funcionando bien, llene la etiqueta de LP localizada en el paquete enviado con su estufa e incluya su nombre, organización y la fecha en que la conversión fue hecha. Pegue la etiqueta al marco frontal de la estufa cerca de la placa de identificación detrás del cajón y advierta a otros en el futuro que esta estufa ha sido convertida para ser usada con gas LP. Si se convierte de vuelta de gas LP a gas natural, por favor saque la etiqueta para que otros sepan que la estufa está programada para ser usada con gas natural.