

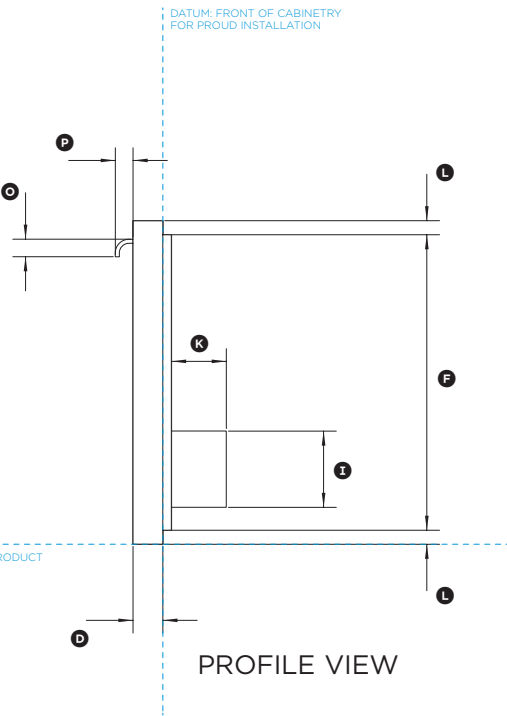
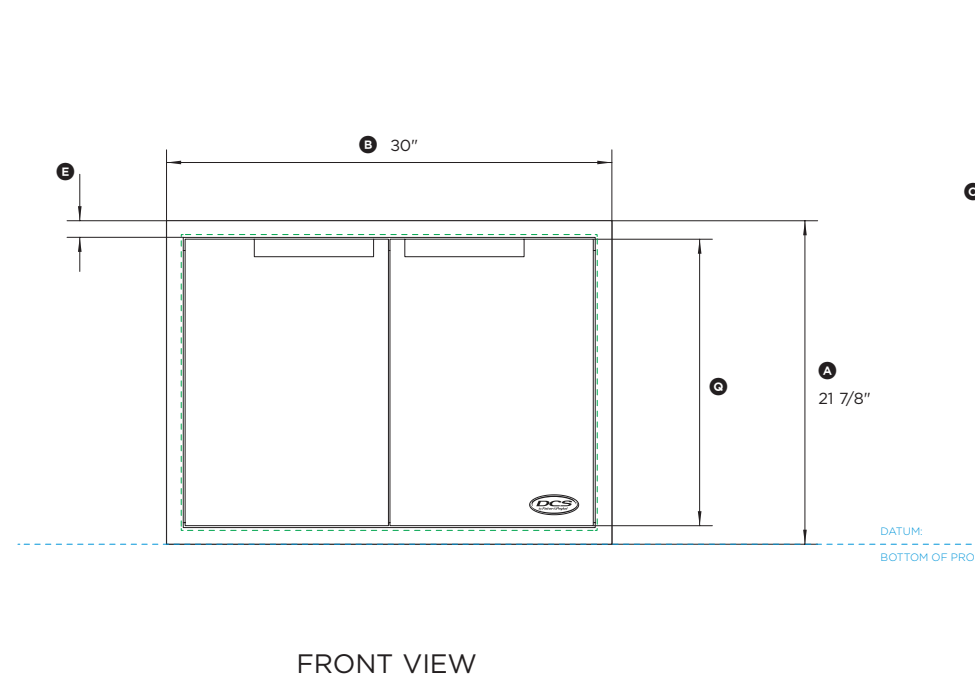
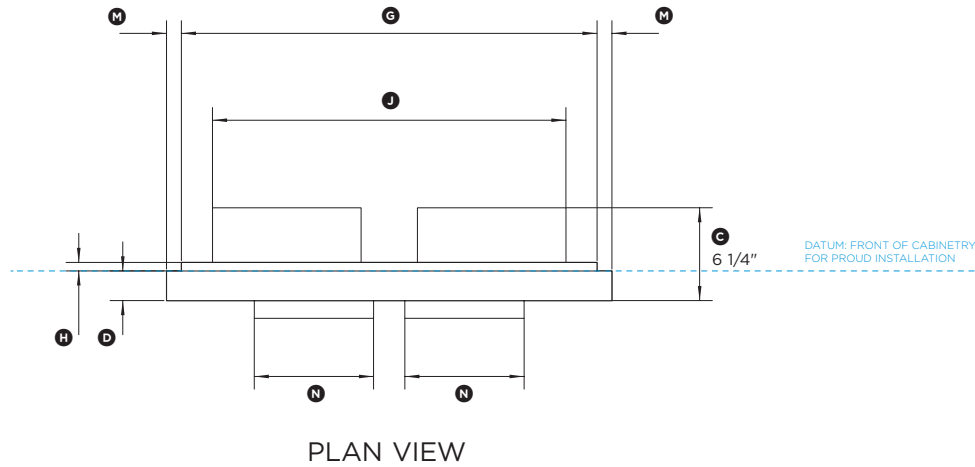
Data sheet

30" Access Door

Model no:

ADN30

(refer page 2 for metric measurements)



Product Dimensions	in
Ⓐ Overall height of product	21 7/8"
Ⓑ Overall width of product	30"
Ⓒ Overall depth of product including internal shelves (excluding handles)	6 1/4"
Ⓓ Depth of front frame	2"
Ⓔ Width of front frame	1 1/8"
Ⓕ Height of frame insert	19 31/32"
Ⓖ Width of frame insert	27 31/32"
Ⓗ Depth of frame insert	9/16"
Ⓘ Height of internal shelves	5 5/32"
Ⓚ Overall width of internal shelves	23 13/16"
Ⓛ Depth of internal shelves	3 11/16"
Ⓛ Height from front frame to flange	15/16"
Ⓜ Width from front frame to flange	1"
Ⓝ Width of handle	8"
Ⓞ Height of handle	1 3/16"
Ⓟ Depth of handle	1 3/16"
Ⓠ Height of door front	19 3/8"

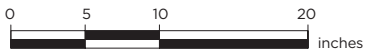
Cutout Dimensions	in
Overall width of cutout	28"
Overall height of cutout	20"

IMPORTANT NOTE: This datasheet shows only the proud installation option. For full installation and clearance details please refer to our installation manual.

INDICATES CABINETRY / PRODUCT DATUM -----
 INDICATES CUTOUT - - - - -

DATE: 31.08.2015

IMPORTANT NOTE: Throughout this guide, dimensions may vary by ±2mm (3/32"). Please read the installation manual for detailed information on installing the product. www.dcsappliances.com



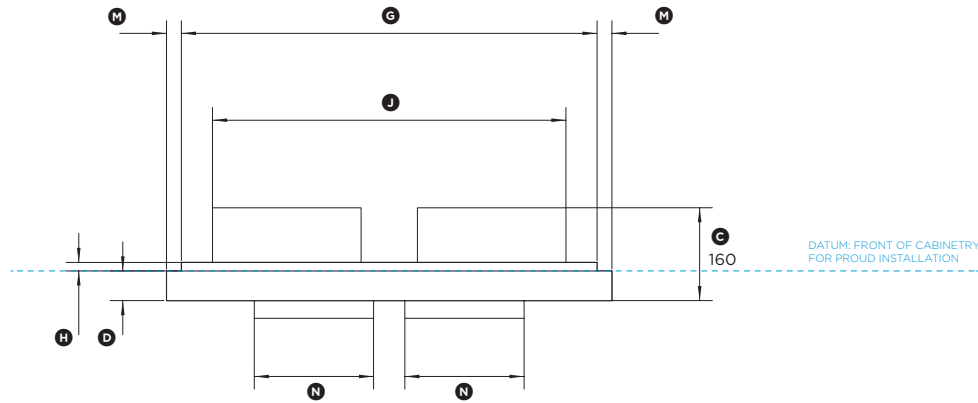
Data sheet

30" Access Door

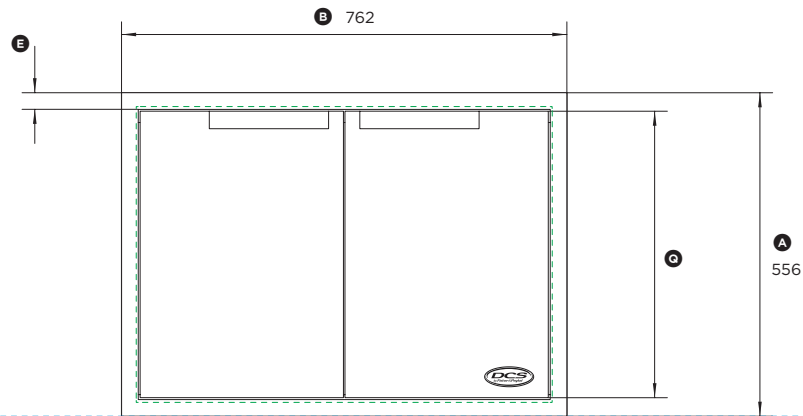
Model no:

ADN30

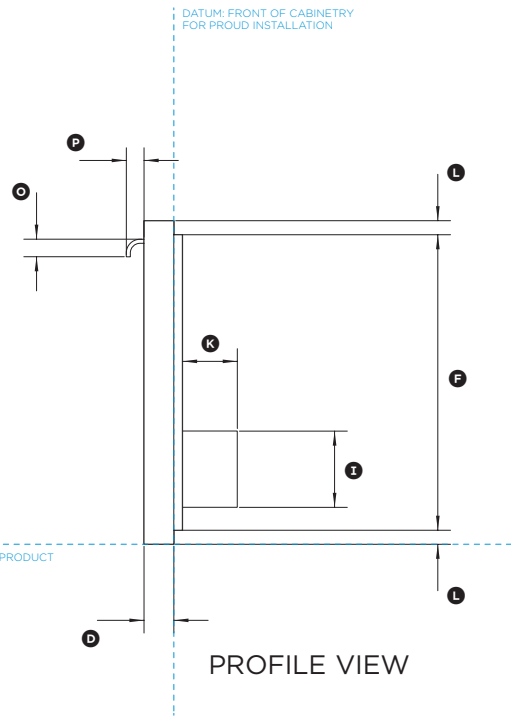
(refer page 1 for imperial measurements)



PLAN VIEW



FRONT VIEW



PROFILE VIEW

DATUM:
BOTTOM OF PRODUCT

Product Dimensions	mm
Ⓐ Overall height of product	556
Ⓑ Overall width of product	762
Ⓒ Overall depth of product including internal shelves (excluding handles)	160
Ⓓ Depth of front frame	51
Ⓔ Width of front frame	28
Ⓕ Height of frame insert	508
Ⓖ Width of frame insert	711
Ⓗ Depth of frame insert	15
Ⓘ Height of internal shelves	131
Ⓚ Overall width of internal shelves	604
Ⓛ Depth of internal shelves	94
Ⓛ Height from front frame to flange	24
Ⓜ Width from front frame to flange	25
Ⓝ Width of handle	204
Ⓞ Height of handle	30
Ⓟ Depth of handle	30
Ⓠ Height of door front	492

Cutout Dimensions	mm
Overall width of cutout	711
Overall height of cutout	508

IMPORTANT NOTE: This datasheet shows only the proud installation option. For full installation and clearance details please refer to our installation manual.

INDICATES CABINETRY / PRODUCT DATUM -----
INDICATES CUTOUT -----

DATE: 31.08.2015

IMPORTANT NOTE: Throughout this guide, dimensions may vary by ±2mm (3/32"). Please read the installation manual for detailed information on installing the product. www.dcsappliances.com

