

# MONOGRAM 27" BUILT-IN SINGLE OVEN

ZKS90DSSNSS



## THE MONOGRAM MINIMALIST COLLECTION

Streamlined design and precisely machined metals create a contemporary yet functional aesthetic

## LCD CONTROLS

Allow you to adjust oven settings with little effort

## WIFI CONNECT

Perfectly in sync with a busy lifestyle, Alexa or Google Home can be used to control an array of oven functions from both inside and outside the home

## SCAN-TO-COOK

Innovative and time saving, scan-to-cook technology ensures that packaged foods are always prepared correctly. A simple scan of the barcode with a smartphone delivers consistently, delicious results

## TRUE EUROPEAN CONVECTION

Achieve delicious results from a third heating element and fan combination

## 4.3 CUBIC FOOT CAPACITY

Accommodates even the largest meals

## EXCLUSIVE SELF-CLEAN (3 REGULAR) OVEN RACKS

Glide in and out smoothly on stainless steel ball bearings, and are designed to be left in the oven during the self-clean cycle

## TEN-PASS BAKE ELEMENT

Covers more surface area for more even baking results

## EIGHT-PASS BROIL ELEMENT

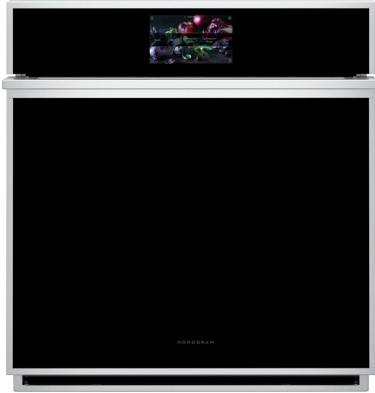
Provides complete coverage and even browning, even for large dishes

## SOFT-CLOSE DOOR

An expertly engineered hinge ensures that the oven door closes quietly and smoothly, every time

## SELF-CLEAN WITH STEAM CLEAN OPTION

Gives you flexible options for thorough oven cleaning



### SPECIFICATIONS

Overall Width	26 3/4" (68.0 cm)
Overall Height	28 13/16" (72.2 cm)
Overall Depth Including Handle	26 13/16" (68.1 cm)
Oven Door Clearance	20 9/16" (52.2 cm)
Overall Oven Interior Capacity	4.3 cu. ft. (121.8 liters)
Oven Interior Dimensions (W x H x D)	21 1/2" x 17-1/4" x 20" (54.6 x 43.8 x 50.8 cm)
Minimum Cabinet Width*	27" (76.2 cm)
Minimum Cabinet Depth*	24" (61.0 cm)
Minimum Base Support	220 lbs. (99 kg)

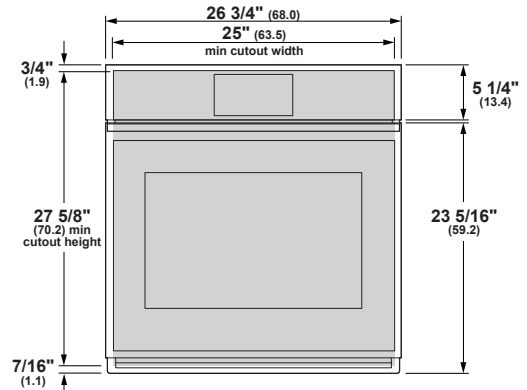
Cutout Width*	25" (63.5 cm) Min 25 1/4" (64.1 cm) Max
Cutout Height*	27 5/8" (70.2 cm) Min 28 1/8" (71.4 cm) Max
Cutout Depth*	23 1/2" (59.7 cm) Min
Volts/Hertz/Amps	240/208 V AC, 60 Hz, 20A
Conduit Length	48" (72" available special order: WB18T10398)
Electrical Rating	2.7 kW at 208V 3.6 kW at 240V
Shipping Weight	140 lbs. (64 kg)

\* Additional space will be needed for flush installation.

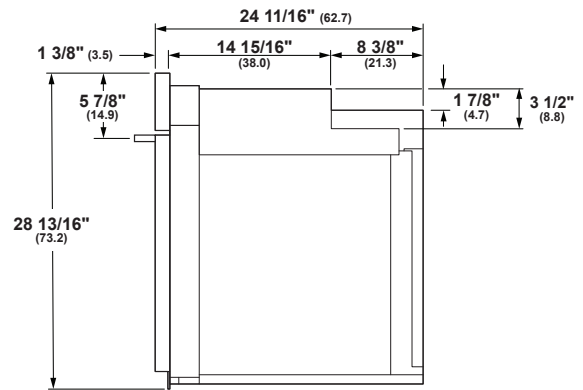
### ATTENTION ELECTRICIAN:

A 240/208V, 60Hz, 20 Amp circuit is required. An individual properly grounded branch circuit or circuit breaker is required. Hardware junction box is required for built-in product.

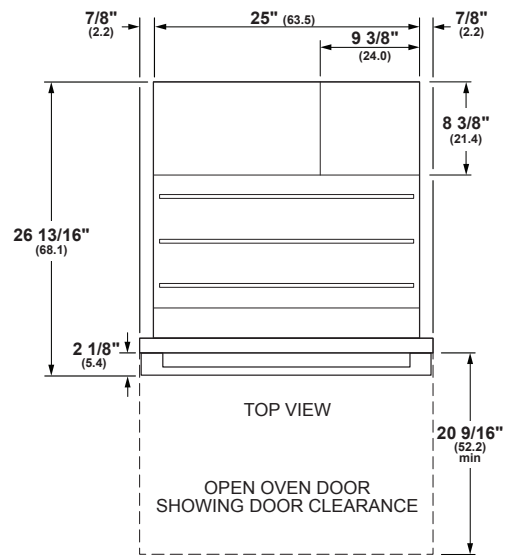
### OVERALL DIMENSIONS



FRONT VIEW (SHOWING CUTOUT OVERLAP)



SIDE VIEW

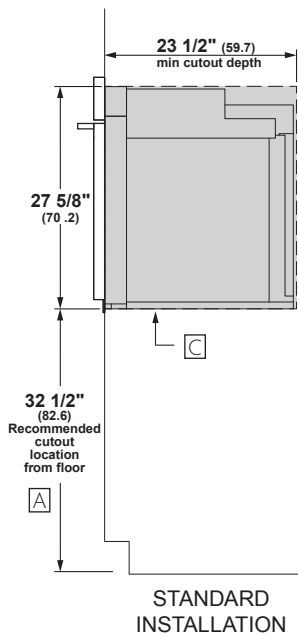


TOP VIEW

OPEN OVEN DOOR  
SHOWING DOOR CLEARANCE

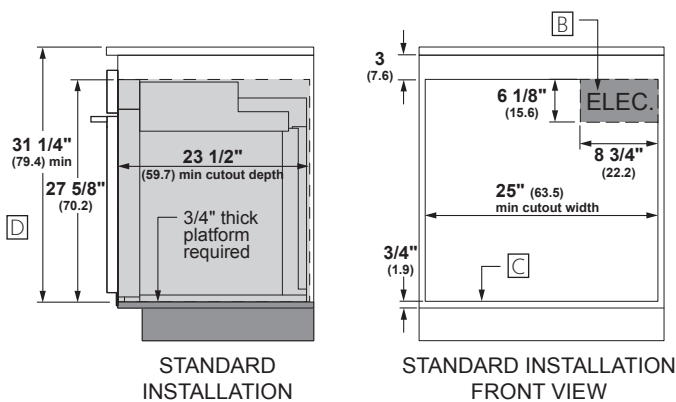
Dimensions in parentheses are in centimeters unless otherwise noted. Actual product dimensions may vary due to manufacturing tolerances.

## WALL INSTALLATION



Allow 1/8" (0.3) clearances from side edges of oven door.

## UNDERCOUNTER INSTALLATION

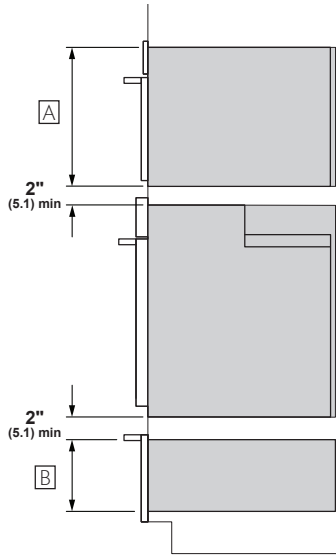


For more details, refer to the installation instructions for this product on [Monogram.com](http://Monogram.com). Dimensions in parentheses are in centimeters unless otherwise noted.

## HELPFUL TIPS

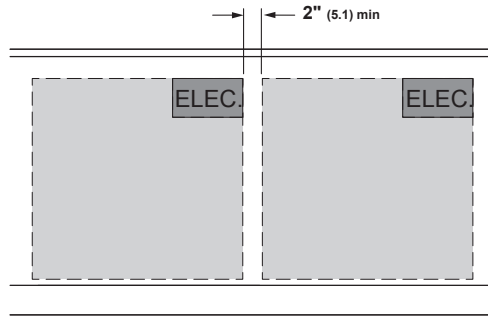
- A** Based on a user height of 5' 6" to 5' 10"
- B** Junction box location (May also be located in adjacent cabinet.)
- C** Platform must be able to support 220 lbs (99 kg)
- D** Minimum 31 1/4" from the top surface of the countertop to the top surface of the wall oven support platform when installed beneath a certified cooktop.

**INSTALLATION WITH ADVANTIUM AND WARMING DRAWER**



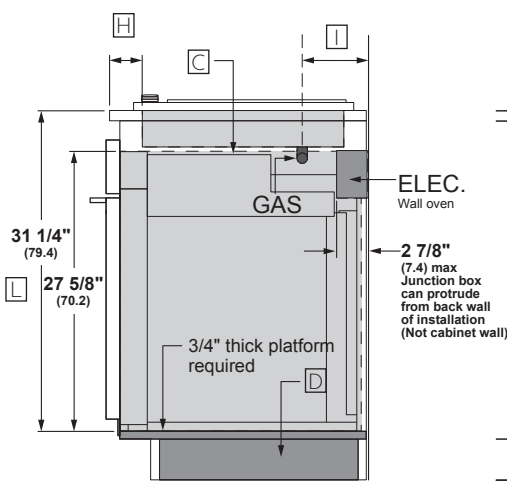
**STANDARD INSTALLATION  
SIDE VIEW**

**SIDE BY SIDE INSTALLATION**

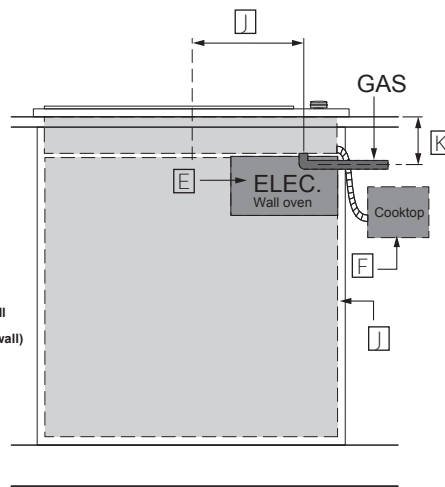


**SIDE-BY-SIDE INSTALLATION  
FRONT VIEW OF CUTOUTS**

**UNDER COOKTOP INSTALLATION**



**STANDARD INSTALLATION  
SIDE VIEW**



**FRONT VIEW**

**HELPFUL TIPS**

- A** Dimensions per Advantium or Microwave Oven requirements
- B** Dimension per Warming Drawer requirements
- C** Note this oven is only approved to be installed under specific models as labeled on this unit.
- D** Support platform made of 3/4" (1.9 cm) wood is required. Must be capable of supporting 220 lbs (99 kg). Support Platform base to be same height as toe kick.
- E** Junction box location for wall oven. (May also be located in adjacent cabinet).
- F** Gas regulator and electric connections for cooktops must be located in an adjacent accessible location to the right
- G** Top and/or side fillers may be necessary if unit is positioned between existing cabinets. Be sure they are attached securely, since they will anchor the oven in the cabinet.
- H** For flush oven installations, the cooktop cutout must be set back 2 1/2" (6.4 cm) plus the clear setback.
- I** Dimension varies based on model.  
example: ZGU30 4 5/16" (11.0 cm) (from wall)
- J** Dimension varies based on model.  
example: ZGU30 12 1/16" (30.6 cm) (centerline)
- K** Dimension varies based on model.  
example: ZGU30 5" (12.7 cm)
- L** From the top surface of the countertop to the top surface of the wall oven support platform

For more details, refer to the installation instructions for this product on Monogram.com. Dimensions in parentheses are in centimeters unless otherwise noted.