

PTW600BSR/BPR

GE Profile™ 4.9 cu. ft. Capacity Washer with Smarter Wash Technology and FlexDispense™

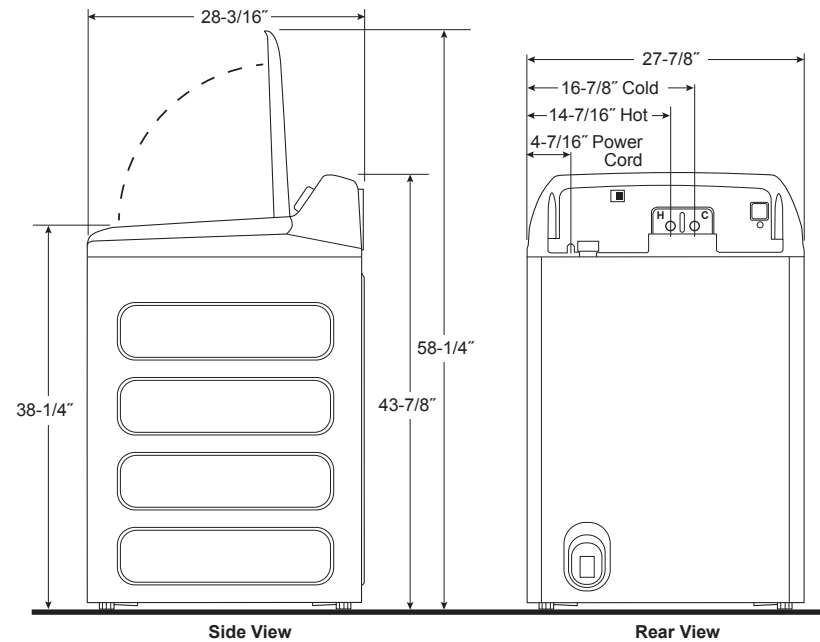
DIMENSIONS AND INSTALLATION INFORMATION (IN INCHES)

CIRCUIT REQUIREMENTS: An individual, properly-grounded branch circuit, with a three-prong grounding-type receptacle, protected by a 15 or 20 amp circuit breaker or a time-delay fuse, is required.

ELECTRICAL RATING: 120V, 60Hz, 10A

NOTE: Washer wall outlet must be located within 36" of service code entry. Wall outlet must not be located behind dryer.

INSTALLATION INFORMATION: Before installing, consult installation instructions packed with product for current dimensional data.



For answers to your Monogram, GE Cafe™, GE Profile™ or GE Appliances product questions, visit our website at geappliances.com or call GE Answer Center® Service, 800.626.2000.



Specification Created 7/21

PTW600BSR/BPR

GE Profile™ 4.9 cu. ft. Capacity Washer with Smarter Wash Technology and FlexDispense™

FEATURES AND BENEFITS

Smarter Wash Technology – Adaptive Smart Technology enables optimization of cleaning power and fabric care within each cycle

Microban® Antimicrobial Technology – Antimicrobial protection is built into key washer components to help prevent odor-causing bacteria in areas like the tub, dispenser drawer and drain hose

Smart FlexDispense® – Dedicated dispensers for detergent, detergent packs like Tide PODS™, fabric softener, and other common additives delivering faster activation and optimal cleaning performance

Tangle Control – Intelligent technology adapts the wash action to minimize tangled loads

10-year Limited Warranty – Enjoy peace of mind knowing your washer is backed by a 10-year limited warranty

Easier Access Capacity – Enjoy large capacity while being able to easily reach the bottom of the washer

Smart Features powered by SmartHQ™ – Ensure your washer always has the latest features, including extra cycles for active wear and casuals, customized stain removal technology, and more, all enabled by SmartHQ™

Built-In WiFi powered by SmartHQ™ – Easily start, stop, and monitor your laundry from anywhere, and receive real-time notifications and updates with your smartphone, tablet, or voice assistant

Sanitize with Oxi – Remove 99% of bacteria in your laundry thanks to a dedicated cycle that uses an Oxi additive to boost your detergent's cleaning power

dBT™ – The patented, time-saving technology senses and rebalances uneven loads during the spin cycle, providing a quieter wash

Quick Wash – Enjoy great wash performance in under 30 minutes

Deep Fill – Enjoy total control and customization of your water levels with just the touch of a button to add just a little extra water or fill the tub

ENERGY STAR® qualified – Meets or exceeds federal guidelines for energy efficiency for year-round energy and money savings

Model PTW600BSRWS – White with silver backsplash

Model PTW600BPRDG – Diamond Gray

