

# PP7036DJ

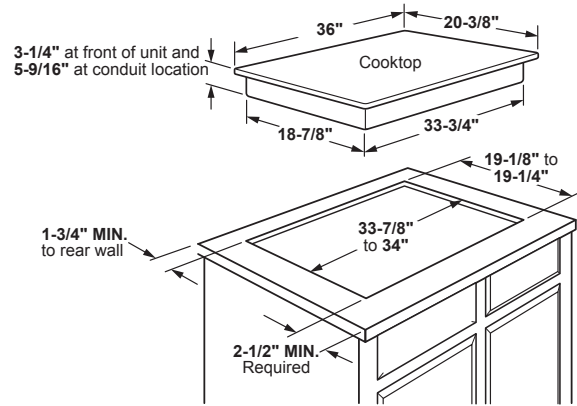
## GE Profile™ 36" Built-In Knob-Control Cooktop

### DIMENSIONS AND INSTALLATION INFORMATION (IN INCHES)

**IMPORTANT:** Requires a 5" free area between the bottom of the cooktop to any combustible material, i.e., shelving. Free area not required when installing wall oven underneath cooktop. Refer to installation instructions. Requires a 15" minimum from cooktop to adjacent overhead cabinets. Units are furnished with a 48" flexible armored cable.

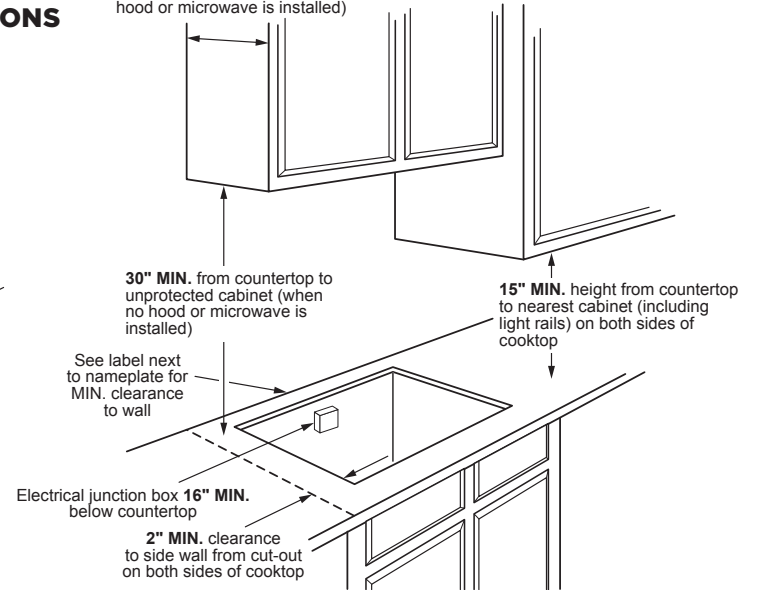
**NOTE:** 36" Ribbon cooktops are approved for use over select GE 30" Single Wall Ovens and Warming Drawers. Refer to cooktop and wall oven/warming drawer installation instructions packed with product for current dimensional data. If installed with a GE Telescopic Downdraft System, consult both the cooktop and downdraft installation instructions packed with product before installing. Cooktop gas/electric supply may need to be re-routed to install downdraft. The countertop cutout requires 23-1/2" minimum flat countertop surface and 25" minimum total countertop depth. In addition, other clearances to front edge of the countertop must be considered. **Before installing, consult installation instructions packed with product for current dimensional data.**

### APPROXIMATE COOKING DIMENSIONS

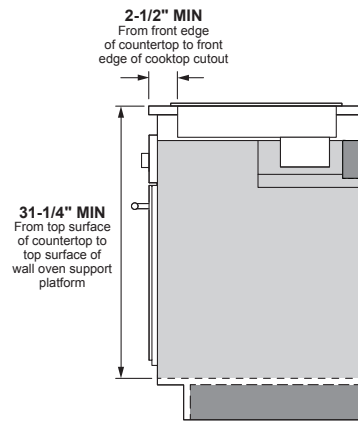


To insure accuracy, it is best to make a template when cutting the opening in the counter

13" MAX. depth of unprotected overhead cabinets (when no hood or microwave is installed)



### INSTALLATION ABOVE A WALL OVEN



|                                     |           |           |
|-------------------------------------|-----------|-----------|
| <b>VOLTAGE (60HZ AC)</b>            | 240V      | 208V      |
| <b>CONNECTED LOAD (MAX.)</b>        | 9.6kW     | 7.2kW     |
| <b>CURRENT DRAW (MAX.)</b>          | 40.0 Amps | 34.7 Amps |
| <b>RECOMMENDED CIRCUIT BREAKER†</b> | 40 Amps   | 40 Amps   |

†NOTE: Check local codes for required breaker size.



For answers to your Monogram, GE Café™ Series, GE Profile™ Series or GE Appliances product questions, visit our website at [geappliances.com](http://geappliances.com) or call GE Answer Center® Service, 800.626.2000.



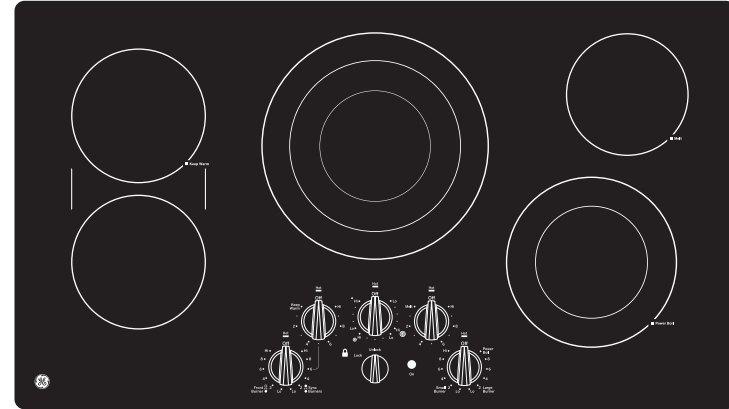
Specification Revised 6/20

# PP7036DJ

## GE Profile™ 36" Built-In Knob-Control Cooktop

### FEATURES AND BENEFITS

- Five radiant cooking elements
- Power Boil tri-ring element
- Power Boil dual-ring element
- SyncBurners
- Keep warm setting
- Melt setting
- Control lock capability
- Red LED with black glass surface
- Hot surface indicator lights
- Cooktop “on” indicator light
- Fit Guarantee
- Model PP7036DJBB – Black on black



### **\*OPTIONAL STAINLESS STEEL CLAD ALUMINUM GRIDDLE**

Achieve even results with this lightweight griddle, tailored to fit GE SyncBurners. Order part number JXGRIDL1 from your GE Dealer.

### **GUARANTEED FIT**

Replacing a similar cooktop from GE Appliances or another brand? GE cooktops are guaranteed for an exact fit or GE Appliances will pay up to \$100 toward modifications

Visit [geappliances.com](http://geappliances.com) for more info

