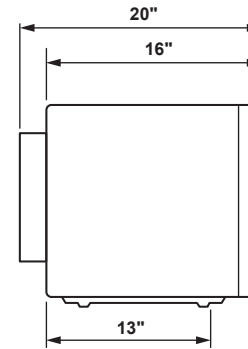
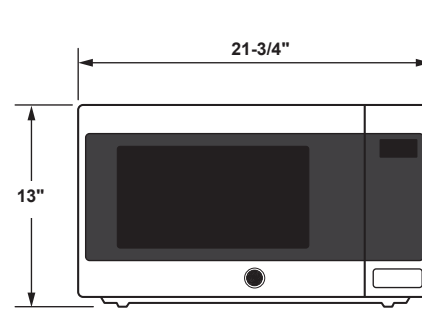


PEB9159DJ

GE Profile™ Series 1.5 Cu. Ft. Countertop Convection/Microwave Oven

DIMENSIONS AND INSTALLATION INFORMATION (IN INCHES)

| EXTERIOR DIMENSIONS (IN INCHES) | |
|---------------------------------------|---------|
| Height | 13" |
| Width | 21-3/4" |
| Depth | 16" |
| Depth including bumpout | 20" |
| Depth from back of case to front legs | 13" |



OPTIONAL ACCESSORY TRIM KITS FOR GE MICROWAVE OVENS (AVAILABLE AT ADDITIONAL COST)

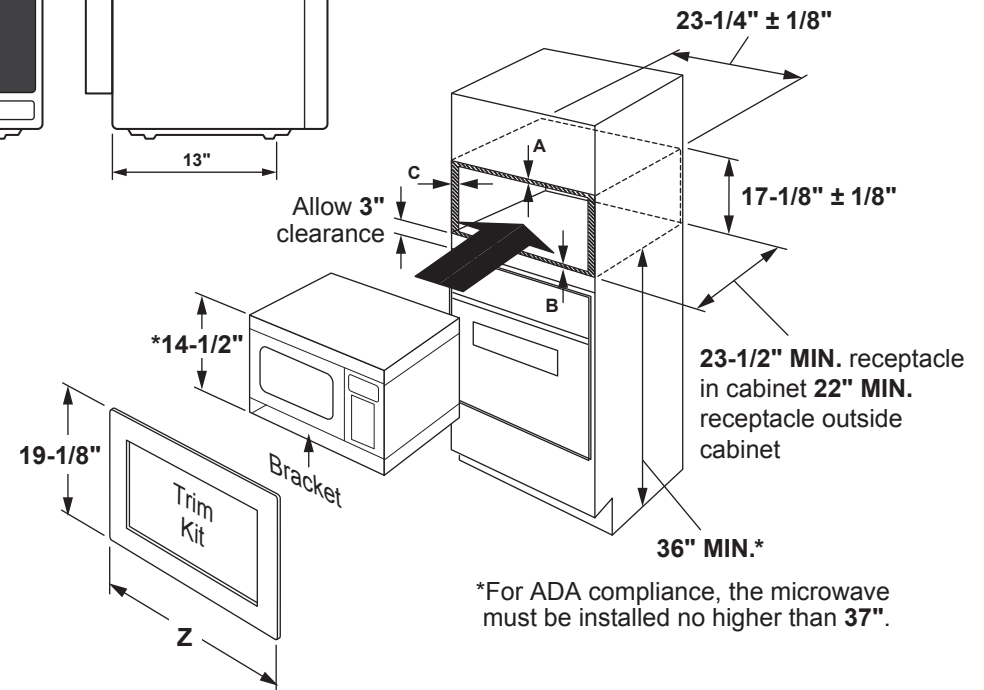
For a custom built-in appearance, these kits allow built-in installation of the countertop microwave oven into a wall or cabinet alone and are U.L. approved for installation over a GE single electric wall oven. These kits should not be installed over a gas wall oven.

| ACCESSORY TRIM KITS | "Z" | MAX HEIGHT | TRIM KITS |
|---------------------|---------|------------|-----------|
| 30" Deluxe | 29-3/4" | 19-1/8" | JX9153DJ |
| 27" Deluxe | 26-7/8" | 19-1/8" | JX9152DJ |

NOTE: 120V, 60-cycle, grounded power receptacle location optional on back within cabinet opening.

INSTALLATION INFORMATION: This information is not intended to be used for installing unit described. Before installing, consult installation instructions packed with product/kit for current dimensional data.

*Height of product when installed with kit rail and bottom duct: 14-1/2"



| CABINET OVERLAP REQUIREMENTS | 30" | 27" |
|--|---------|--------|
| A - Overlap of trim kit over top of cabinet | 1" | 1" |
| B - Overlap of trim kit over bottom of cabinet | 1" | 1" |
| C - Overlap of trim kit over sides of cabinet | 3-5/16" | 1-7/8" |

NOTE: Allow an additional inch of clearance beyond trim kit frame on all sides.



For answers to your Monogram, GE Café™ Series, GE Profile™ Series or GE Appliances product questions, visit our website at geappliances.com or call GE Answer Center® Service, 800.626.2000.



Specification Revised 8/16

PEB9159DJ

GE Profile™ Series 1.5 Cu. Ft. Countertop Convection/Microwave Oven

FEATURES AND BENEFITS

1.5 cu. ft. capacity – 1,000 Watts (IEC-705 test procedure)

Convection cooking – Choose this setting when baking or browning is desired

Sensor cooking controls – Automatically adjust time and power for delicious cooking results

Warming oven – Keeps food hot and ready to serve

Optional built-in trim kit – Achieve a custom appearance and built-in convenience with a sleek, matching trim kit

Convection rack – Achieve golden-brown results with a specially designed rack that allows air to circulate around foods for even heat distribution during convection cooking

Recessed turntable – Maximizes oven space and flush design easily accommodates multiple dishes

Model PEB9159DJWW – White on white

Model PEB9159DJBB – Black on black

