



GE Profile™ ADVANTIUM® OVEN

SAFETY INFORMATION 3

ADVANTIUM
Getting to Know Advantium?..... 9
Features..... 10
Controls 11

SPEEDCOOKING
Power Level..... 12
Cooking Tips..... 13
Cookware..... 13
Pre-set Speedcook Menu 14
Repeat Last..... 16
Resume 16
My Recipe 16
Things That Are Normal 17

CONVECTION BAKING 18

BROILING AND TOASTING..... 19

WARMING AND PROOFING... 20

MICROWAVING
Cookware..... 21
Pre-Set Selections 21
Cook By Time 22
Power Levels..... 22
My Recipes 22
Cooking Tips..... 22
Defrost 23
Sensor Cooking 24

OTHER FEATURES 26

CARE AND CLEANING 29

TROUBLESHOOTING..... 32

WARRANTY..... 34

OPTIONAL KITS 35

CONSUMER SUPPORT 36

OWNER'S MANUAL

PSA9240

Write the model and serial numbers here:

Model # _____

Serial # _____

Find these numbers on a label inside the oven.

ESPAÑOL

Para consultar una version en español de este manual de instrucciones, visite nuestro sitio de internet GEAppliances.com.



MFL38211668

THANK YOU FOR MAKING GE APPLIANCES A PART OF YOUR HOME.

Whether you grew up with GE Appliances, or this is your first, we're happy to have you in the family.

We take pride in the craftsmanship, innovation and design that goes into every GE Appliances product, and we think you will too. Among other things, registration of your appliance ensures that we can deliver important product information and warranty details when you need them.

Register your GE appliance now online. Helpful websites and phone numbers are available in the Consumer Support section of this Owner's Manual. You may also mail in the pre-printed registration card included in the packing material.



IMPORTANT SAFETY INFORMATION

READ ALL INSTRUCTIONS BEFORE USING THE APPLIANCE

▲ WARNING

To reduce the risk of burns, electric shock, fire, injury to persons, or exposure to excessive microwave energy:

When using electrical appliances, basic safety precautions should be followed, including the following:

- Read all instructions before using this appliance.
- Read and follow the specific precautions in the PRECAUTIONS TO AVOID POSSIBLE EXPOSURE TO EXCESSIVE MICROWAVE ENERGY section on page 7.
- Use this appliance only for its intended use as described in this manual. Do not use corrosive chemicals or vapors in this appliance. This oven is specifically designed to heat, dry or cook food, and is not intended for laboratory or industrial use.
- This appliance must only be serviced by qualified service personnel. Contact nearest authorized service facility for examination, repair or adjustment.

INSTALLATION

- Install or locate this appliance only in accordance with the provided installation instructions.
- This appliance must be grounded. Connect only to properly grounded outlet. See "GROUNDING INSTRUCTIONS" found on page 7.
- This microwave oven is UL listed for installation over both gas (less than 60,000BTU) and electric ranges.
- This over-the-range oven is designed for use over ranges no wider than 36." It may be installed over both gas and electric cooking equipment.
- Do not operate this appliance if it has a damaged power cord or plug, if it is not working properly, or if it has been damaged or dropped.
- Keep cord away from heated surfaces.
- Do not let cord hang over the edge of the table or counter
- Do not immerse cord or plug in water.
- Do not cover or block any openings on the appliance.
- Do not store this appliance outdoors. Do not use this product near water—for example, in a wet basement, near a swimming pool, near a sink or in similar locations.
- Do not mount this appliance over a sink.

TO REDUCE THE RISK OF FIRE IN THE CAVITY:

- Do not overcook food. Carefully attend appliance when paper, plastic or other combustible materials are placed inside the oven to facilitate cooking.
- Remove wire twist-ties and metal handles from paper or plastic containers before placing them in the oven.
- If materials inside the oven ignite, keep the oven door closed, turn the oven off and disconnect the power cord or shut off power at the fuse or circuit breaker panel.
- Do not store any materials in this oven when not in use. Do not leave paper products, cooking utensils or food in the cavity when not in use. All racks should be removed from oven when not in use.
- Do not operate the microwave feature without food in the oven.
- Do not use the Sensor Features twice in succession on the same food portion. If food is undercooked after the first countdown, use COOK BY TIME for additional cooking time.
- The wire oven rack should not be used for speedcook or microwave cooking to prevent arcing

TO REDUCE THE RISK OF BURNS:

- Be careful when opening containers of hot food. Use pot holders and direct steam away from face and hands.
- Vent, pierce, or slit containers, pouches, or plastic bags to prevent build-up of pressure.
- Be careful when touching the turntable, door, racks, or walls of the oven which may become hot during use.
- Liquids and certain foods heated in the microwave oven can present a risk of burn when removing them from the microwave. The potential for a burn is greater in young children, who should not be allowed to remove hot items from the microwave.

READ AND SAVE THESE INSTRUCTIONS

IMPORTANT SAFETY INFORMATION

READ ALL INSTRUCTIONS BEFORE USING THE APPLIANCE

▲ WARNING Continued

OPERATING

- As with any appliance, close supervision is necessary when used by children.
- Do not operate the oven without the turntable in place. The turntable must be unrestricted so it can turn.
- Do not store anything directly on top of the microwave oven surface when the microwave oven is in operation.
- Oversized foods or oversized metal utensils should not be inserted in a microwave/convection oven as they may create a fire or risk of electric shock.
- Do not use paper products in oven when appliance is operating in any cooking mode except microwave.
- Some products such as whole eggs and sealed containers—for example, closed jars—are able to explode and should not be heated in this oven.
- Do not overcook potatoes. They could dehydrate and catch fire, causing damage to your oven.
- Do not cover racks or any other part of the oven with meal foil. This will cause overheating of the oven.
- Cook meat and poultry thoroughly—meat to at least an INTERNAL temperature of 160°F, and poultry to at least an INTERNAL temperature of 180°F. Cooking to these temperatures usually protects against foodborne illness.
- This oven is not approved or tested for marine use.

CLEANING

- Keep the oven free from grease buildup.
- Do not clean with metal scouring pads. Pieces can burn off the pad and touch electrical parts involving a risk of electric shock.
- When cleaning surfaces of door and oven that comes together on closing the door, use only mild, nonabrasive soaps, or detergents applied with a clean sponge or soft cloth. Rinse well.

SUPER HEATED WATER

- Liquids, such as water, coffee, or tea, are able to be overheated beyond the boiling point without appearing to be boiling. Visible bubbling or boiling when the container is removed from the microwave oven is not always present. **THIS COULD RESULT IN VERY HOT LIQUIDS SUDDENLY BOILING OVER WHEN THE CONTAINER IS DISTURBED OR A SPOON OR OTHER UTENSIL IS INSERTED INTO THE LIQUID.**
- To reduce the risk of injury to persons:
 - Do not overheat the liquid.
 - Stir the liquid both before and halfway through heating it.
 - Do not use straight-sided containers with narrow necks.
 - After heating, allow the container to stand in the microwave oven for a short time before removing the container.
 - Use extreme care when inserting a spoon or other utensil into the container.

▲ WARNING Arcing can occur during both speedcooking and microwave cooking. If you see arcing, press the CANCEL/OFF pad and correct the problem.

Arcing is the microwave term for sparks in the oven. Arcing is caused by:

- Metal or foil touching the side of the oven.
- Foil not molded to food (upturned edges act like antennas).
- Use foil only as recommended in this manual.
- Metal cookware used during either speedcook or microwave cooking (except for the pans provided with the oven).
- Metal, such as twist-ties, poultry pins, or gold-rimmed dishes, in the oven.
- Recycled paper towels containing small metal pieces being used in the oven.

READ AND SAVE THESE INSTRUCTIONS

IMPORTANT SAFETY INFORMATION

READ ALL INSTRUCTIONS BEFORE USING THE APPLIANCE

▲WARNING SPEEDCOOK OVEN-SAFE COOKWARE

- The oven and door will get very hot when speedcooking.
- Cookware will become hot because of heat transferred from the heated food. Oven mitts will be needed to handle the cookware.
- Do not use coverings, containers or cooking/roasting bags made of foil, plastic, wax or paper when speedcooking.
- Do not cover the turntable, wire oven rack, trays or any part of the oven with metal foil. This will cause arcing in the oven.
- Use the non-stick metal tray in the same way you would use a shallow baking pan or baking tray.
- Place food directly on the trays when cooking unless prompted by the oven to do otherwise.
- Do not use the wire oven rack for speedcooking.
- Any oven-safe dish can be used in your oven. Recipes in the Advantium Cookbook were tested in Pyrex® glass cookware and Corningware® ceramic casseroles. Cook times and results may vary when using other types of oven-safe dishes. Place them directly on the trays.
- Use of the clear glass tray when speedcooking will result in inferior cooking performance.



The turntable must always be in place when using the oven.



Put food directly on the metal tray to speedcook, convection bake, warm or toast.



Put food directly on the metal grill tray to speedcook.

▲WARNING OVEN-SAFE COOKWARE FOR BAKING, BROILING, WARMING, PROOFING & TOASTING

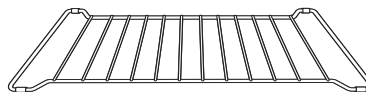
- The oven and door will get very hot when baking, broiling, warming, proofing or toasting.
- Cookware will become hot. Oven mitts will be needed to handle the cookware.
- Do not cover dishes or use plastic containers, plastic cooking/roasting bags, plastic wrap, wax paper or paper when broiling or toasting.
- Use the non-stick metal tray in the same way you would use a shallow baking pan or baking tray.
- Use the aluminum baking sheet on the wire oven rack, and place them on the non-stick metal tray when baking on two levels, broiling or toasting foods.
- Place food directly on the trays when cooking unless prompted by the oven to do otherwise.
- Any oven-safe dish can be used in your oven. Recipes in the Advantium Cookbook were tested in Pyrex® glass cookware and Corningware® ceramic casseroles. Cook times and results may vary when using other types of oven-safe dishes. Place them directly on the trays.
- Use of the clear glass tray when baking, broiling, warming, proofing or toasting will result in inferior cooking performance.



The turntable must always be in place when using the oven.



Put food directly on the metal grill tray as required to broil.



Put food directly on the metal tray or in the appropriate dish and place on wire oven rack when baking or warming.



Put food or oven-safe cookware directly on the metal tray to convection bake, warm or toast.

READ AND SAVE THESE INSTRUCTIONS

IMPORTANT SAFETY INFORMATION

READ ALL INSTRUCTIONS BEFORE USING THE APPLIANCE

⚠ WARNING MICROWAVE-SAFE COOKWARE

Make sure to use suitable cookware during microwave cooking. Most glass casseroles, cooking dishes, measuring cups, custard cups, pottery or china dinnerware which does not have metallic trim or glaze with a metallic sheen can be used. Some cookware is labeled “suitable for microwaving.”

- Place food or microwavable container directly on the clear glass tray to cook your food.
- Use of the non-stick metal tray during microwave cooking will result in inferior cooking performance.
- Cookware may become hot because of heat transferred from the heated food. Oven mitts may be needed to handle the cookware.
- Do not use recycled paper products. Recycled paper towels, napkins and waxed paper may contain metal flecks which could cause arcing or ignite. Paper products containing nylon or nylon filaments should be avoided, as they may also ignite.
- Use foil only as directed in this manual. When using foil in the oven, keep the foil at least 1" away from the sides of the oven.
- If you use a meat thermometer while cooking, make sure it is safe for use in microwave ovens.
- Some foam trays (like those that meat is packaged on) have a thin strip of metal embedded in the bottom. When microwaved, the metal can burn the floor of the oven or ignite a paper towel.
- Paper towels, waxed paper and plastic wrap can be used to cover dishes in order to retain moisture and prevent spattering. Be sure to vent plastic wrap so steam can escape.
- Not all plastic wrap is suitable for use in microwave ovens. Check the package for proper use.

- “Boilable” cooking pouches and tightly closed plastic bags should be slit, pierced or vented as directed by package. If they are not, plastic could burst during or immediately after cooking, possibly resulting in injury. Also, plastic storage containers should be at least partially uncovered because they form a tight seal. When cooking with containers tightly covered with plastic wrap, remove covering carefully and direct steam away from hands and face.
- Plastic cookware—Plastic cookware designed for microwave cooking is very useful, but should be used carefully. Even microwave-safe plastic may not be as tolerant of overcooking conditions as are glass or ceramic materials and may soften or char if subjected to short periods of overcooking. In longer exposures to overcooking, the food and cookware could ignite.
- Do not use the wire oven rack for microwaving.

Follow these guidelines:

1. Use microwave-safe plastics only and use them in strict compliance with the cookware manufacturer’s recommendations.
2. Do not microwave empty containers.
3. Do not permit children to use plastic cookware without complete supervision.



The turntable must always be in place when using the oven.



The clear glass tray should always be in place when microwaving.

READ AND SAVE THESE INSTRUCTIONS

IMPORTANT SAFETY INFORMATION

READ ALL INSTRUCTIONS BEFORE USING THE APPLIANCE

PRECAUTIONS TO AVOID POSSIBLE EXPOSURE TO EXCESSIVE MICROWAVE ENERGY

- (a) **Do Not Attempt** to operate this oven with the door open since open-door operation can result in harmful exposure to microwave energy. It is important not to defeat or tamper with the safety interlocks.
- (b) **Do Not Place** any object between the oven front face and the door or allow soil or cleaner residue to accumulate on sealing surfaces.
- (c) **Do Not Operate** the oven if it is damaged. It is particularly important that the oven door close properly and that there is no damage to the:
 - (1) door (bent),
 - (2) hinges and latches (broken or loosened),
 - (3) door seals and sealing surfaces.
- (d) **The Oven Should Not** be adjusted or repaired by anyone except properly qualified service personnel.

GROUNDING INSTRUCTIONS

⚠ WARNING Improper grounding can result in a risk of electric shock.

This appliance must be connected to a grounded, metallic, permanent wiring system, or an equipment grounding conductor should be run with the circuit conductors and connected to the equipment grounding terminal or lead on the appliance.

READ AND SAVE THESE INSTRUCTIONS

IMPORTANT SAFETY INFORMATION

READ ALL INSTRUCTIONS BEFORE USING THE APPLIANCE

THE VENT FAN

The fan will operate automatically under certain conditions (see Vent Fan section). Take care to prevent the starting and spreading of accidental cooking fires while the vent fan is in use.

- Clean the underside of the Advantium often. Do not allow grease to build up on the Advantium or the fan filters.
- In the event of a grease fire on the surface units below the Advantium, smother a flaming pan on the surface unit by covering the pan completely with a lid, a cookie sheet or a flat tray.
- Use care when cleaning the vent fan filters. Corrosive cleaning agents, such as lye-based oven cleaners, may damage the filters.
- When preparing flaming foods under the Advantium, turn the fan on.
- Never leave surface units beneath your Advantium unattended at high heat settings. Boilovers cause smoking and greasy spillovers that may ignite and spread if the Advantium vent fan is operating. To minimize automatic fan operation, use adequate sized cookware and use high heat on surface units only when necessary.

NOTICE: PACEMAKERS

Most pacemakers are shielded from interference from electronic products, including microwaves. However, patients with pacemakers may wish to consult their physicians if they have concerns.

STATE OF CALIFORNIA PROPOSITION 65 WARNINGS

▲WARNING This product contains one or more chemicals known to the State of California to cause cancer, and birth defects or other reproductive harm.

READ AND SAVE THESE INSTRUCTIONS

Getting to Know Advantium

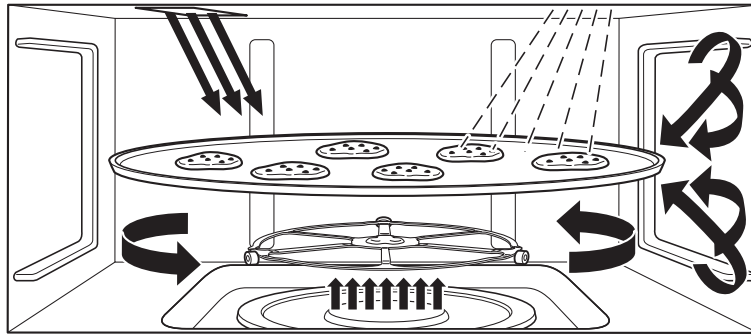
What is Advantium?

The new Advantium oven uses breakthrough Speedcook technology to harness the power of light. The Advantium oven cooks the outside of foods much like conventional radiant heat, while also penetrating the surface so the inside cooks simultaneously.

While halogen light is the primary source of power, a convection system and ceramic heater assists in the cooking, with a “microwave boost” added in some cooking algorithms. Food cooks evenly and fast, retaining its natural moisture.

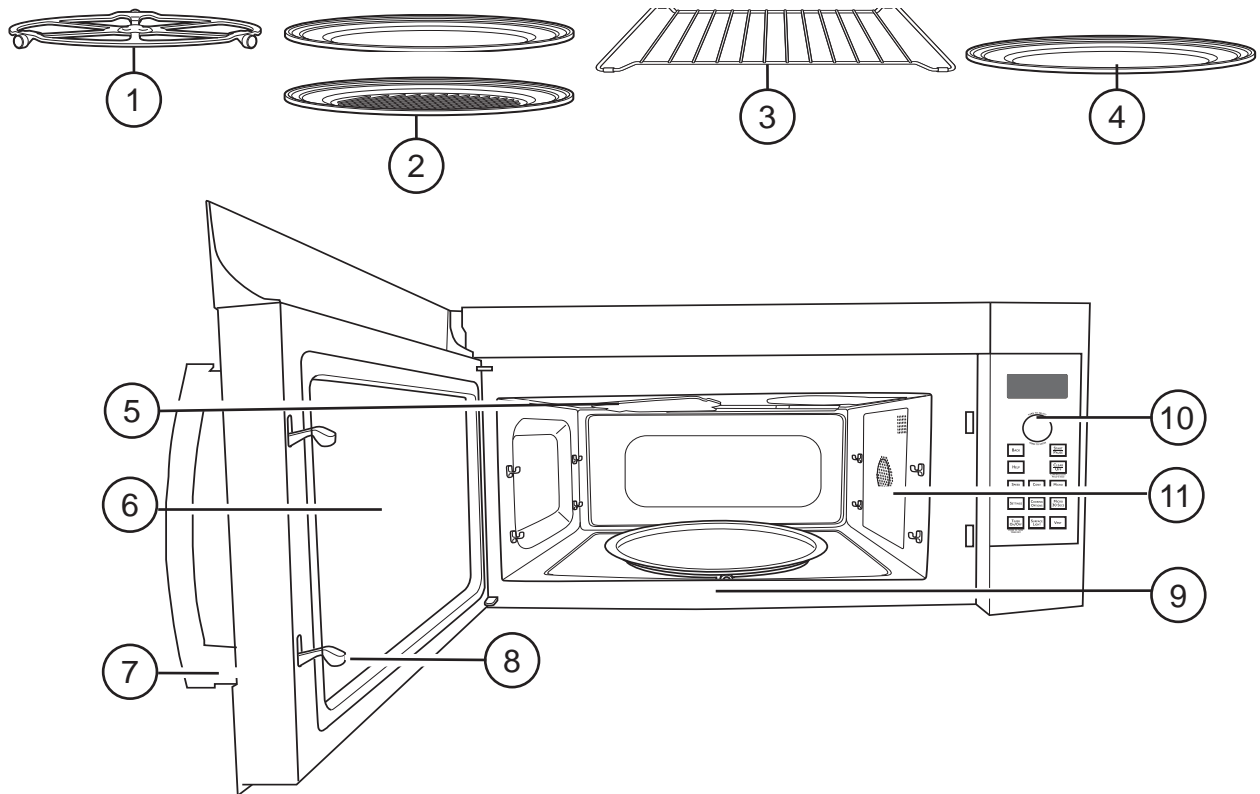
The Advantium oven is capable of speedcooking, convection baking, broiling, toasting, warming, proofing and microwaving. The Speedcook feature is the biggest benefit of the Advantium oven.

No preheating is required to speedcook. Place the food in the oven and start cooking immediately. Time is saved because there is no preheat and because speedcook cooks faster.



Features

Throughout this manual, features and appearance may vary from your model.



1. Turntable

The turntable must always be in place, on the oven floor, for all cooking. Be sure the turntable is seated securely over the spindle in the center of the oven.

2. Metal Tray or Metal Grill Tray

Put food directly on the metal tray and place on the turntable when using the speedcook, broil, and toast.

3. Wire Oven Rack

Put food directly on a metal tray or in an oven-safe dish on the wire oven rack only when convection baking or warming.

4. Clear Glass Tray

Place on the turntable when using the microwave features. Place food or microwave-safe cookware directly on the tray.

5. Upper Halogen Lamps

Two 1200W halogen lamps cook food from above in speedcook, broil and toast.

6. Window

Allows cooking to be viewed while keeping microwaves confined in the oven.

7. Door Handle

Pull to open the door.

8. Door Latches

The door must be securely latched for the oven to operate.

9. Lower Ceramic Heater

One 500W ceramic heater cooks food from the bottom in speedcook, broil and toast.

10. Control Panel

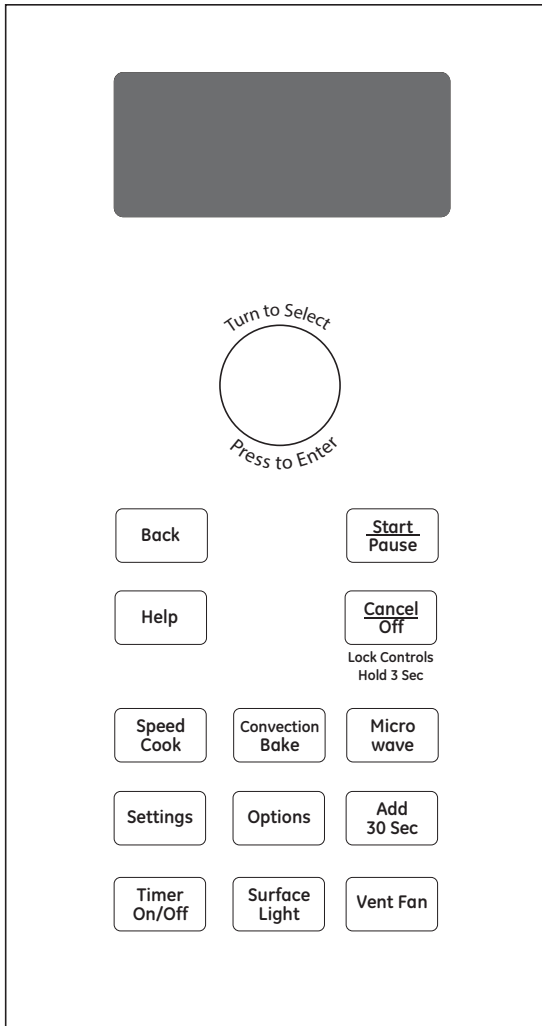
The pads used to operate the oven are located on the control panel.

11. Convection System

One 1550W heating element cooks food with a convection fan circulating the hot air throughout the cavity in speedcook, broil, convection bake, toast and warm.

Controls

With your Advantium oven, you can cook with high-intensity halogen lights, ceramic heaters and convection heating element, and/or conventional microwave energy.



SELECTOR DIAL

Turn to select. Press to enter.

Turn to select food, power level, or temperature selections. Also use the dial to increase (turn clockwise) or decrease (turn counterclockwise) time. Simply press the button to enter the selection.

BACK

Press this pad to step back one or more levels in the programming process.

HELP

Press this pad to find out more about your oven's features.

DISPLAY

Shows feature selections and information about the oven when in use.

START/PAUSE

Press this pad to start or pause any cooking function.

CANCEL/OFF

Press this pad to cancel ALL oven programs except clock, auto night light, timer, vent fan, and surface light.

SPEEDCOOK

Press this pad to access the pre-set speedcook menu or to set your own speedcook program.

CONVECTION BAKE

Press this pad to use convection bake.

MICROWAVE

Press this pad to access the microwave menu or to set your own microwave program.

SETTINGS

Press this pad to set the clock and access Turntable On/Off, Auto Conversion, Auto Nightlight, Beeper Volume, Reminder, and Temperature Units.

OPTIONS

Press this pad to access Repeat Last, Broil, Proof, Toast, Warm and Delay Start.

ADD 30 SEC

Starts the microwave for 30 seconds of cooking time. An additional 30 seconds is added to the remaining cooking time each time the pad is pressed.

TIMER ON/OFF

Press this pad to set a minute and seconds timer.

SURFACE LIGHT

Press this pad to turn the cooktop light on and off.

VENT FAN

Press this pad to turn the vent fan on and off.

Speedcooking

▲ WARNING When using speedcook programs, remember that the oven, door and dishes will be very hot!

Prior to the first use of your oven, the clock must be set. See the Clock section.

Before you begin, make sure the turntable is in place. Use the metal tray and your own glass or ceramic cookware, if needed.

- If the door is opened during cooking, the oven will stop and PAUSE will appear in the display. Close the door and press the START/PAUSE pad to resume cooking.
- At any time during cooking you can change time or power levels by selecting EDIT.
- Speedcooking meats in the oven may produce smoke.
- To cook for additional time after a cooking cycle has been completed, use the Resume feature as instructed on the display.

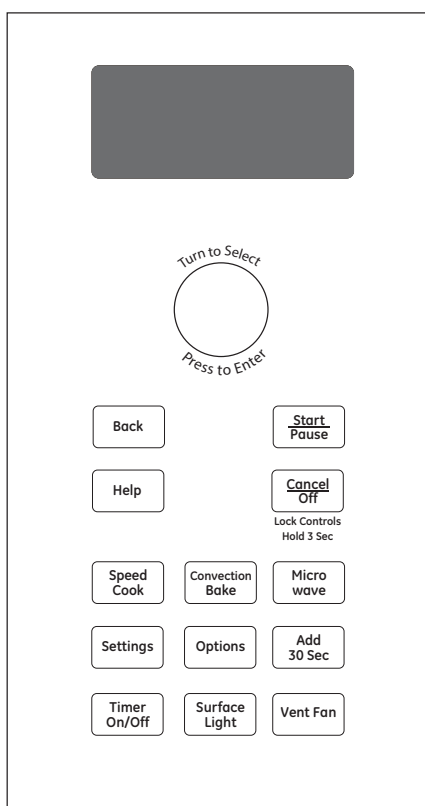


The turntable must always be in place when using the oven.



Put food directly on the metal tray or metal grill tray to speedcook.

Speedcook Power Level



The Advantium uses power from high intensity halogen lamps, a ceramic heater, a convection system and microwaves to cook food from the top, bottom and interior simultaneously to seal in moisture and flavor. When using the pre-set menu foods, the power levels are already selected for you. However, power levels can be adjusted when using pre-set menu foods and MY RECIPE.

Each power level gives you halogen lamp or ceramic heater power and microwave energy for a certain percentage of the time or provides heating from the convection system.

For example:

U-07 Upper halogen lamp and ceramic heater on 70% of the time.

L-07 Lower ceramic heater on 70% of the time.

M-03 Microwave on 30% of the time.

C-07 Convection element heats oven to 350°F.

NOTE: Be careful when adjusting power levels so that you do not overcook or undercook food.

1. Press the SPEEDCOOK pad and select your food (follow instructions from Using the pre-set speedcook menu).
2. When display shows EDIT, SAVE or START, turn the dial to select EDIT.
If you do not want to change one of the settings, just press the dial to move to the next selection.
3. Press the dial if you do not want to adjust cooking time.
4. Turn the dial clockwise to increase or counterclockwise to decrease the upper power level. Press the dial to enter.
5. Turn the dial to change the lower power level. Press the dial to enter.
6. Turn the dial to change the microwave power level. Press the dial to enter.
7. Turn the dial to change the convection power level. Press the dial to enter.
8. Press the Start/Pause pad or the selector dial to start cooking.

Speedcooking

Speedcook Power Level (cont)

Follow these general guidelines when selecting the best U=, L=, M= and C= settings for your favorite recipes:

U = Select a higher setting for thin foods requiring a golden brown top (example: fish fillets, toast, boneless chicken breasts). Select a lower setting for thicker foods and foods with high sugar or fat content (example: muffins, roasts, casseroles) or that require a longer cook time.

L = Select a higher setting for thick or dense foods that may not cook quickly in the center (example: steaks, casseroles). Select a lower setting for thin foods (example: cookies).

M = Select a higher setting to shorten cooking time for dense or heavy foods (example: casseroles, whole chicken). Select a lower setting for delicate foods (example: breads) or foods requiring longer cook times for tender results (example: stew, pot roast).

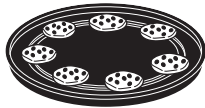
C = Select a lower setting for more delicate foods that cook at lower temperatures. Select a higher setting (7 or above) for more robust foods or foods that cook at temperatures above 350°F.

Cooking Tips

Arrange food on the metal trays as shown to ensure consistent and even browning.

Foods can touch but should not overlap.

Fresh meat, chicken, fish or seafood that has been frozen should be thawed before cooking. (The microwave defrost feature can be used.) For other frozen prepackaged foods, follow package directions.



Circular pattern
(Example: biscuits, cookies)



Side by side pattern
(Example: meats and poultry)



Spoke pattern
(Example: crescent rolls, breadsticks)



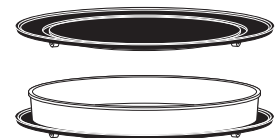
Single layer
(Example: appetizers)

Speedcook Cookware

- Cookware will become hot. Oven mitts will be needed to handle the cookware.
- Follow cookware suggestions on the oven display or in the Cookbook.
- Place food directly on the metal tray when cooking, unless prompted by the oven to do otherwise.
- Use the metal tray in the same way you would use a shallow baking pan or baking tray.
- In addition to the cookware provided, you can use non-metal casserole dishes, pie plates and other heat-safe cookware. Place them directly on the metal tray.

- Be sure to select a size that will rotate easily.

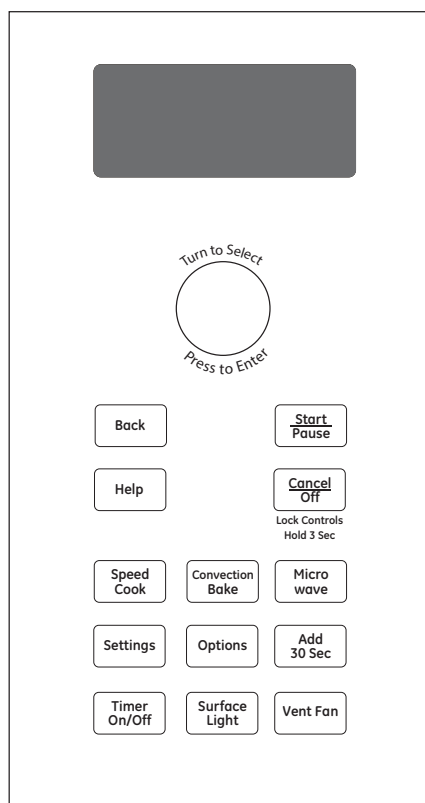
- Place the metal tray on the turntable. Place glass or ceramic cookware on the tray.



- Do not use cookware or coverings made of paper, plastic, or foil when cooking during a speedcook cycle.

Speedcooking

Pre-set Speedcook Menu



The Advantium is already pre-set to cook over 175 popular foods.

1. Press the SPEEDCOOK pad.
If no selection is made within 15 seconds, the display will return to blank.
2. Turn the selector dial to select the type of food category you want. Press the dial to enter.
3. Turn the selector dial to select the specific food (menu selection). Press the dial to enter.
4. Turn the selector dial to select amount, size and/or doneness (if required, the oven will prompt you). Press the dial after each selection.
5. Once the display shows: EDIT, SAVE or START press the START/PAUSE pad or the selector dial to start cooking.

Turn the food over when the oven signals TURN FOOD OVER (for certain foods).

When the oven signals CHECK for DONENESS, check to see if your food is done to your liking (for certain foods).

To review settings during cooking, press the selector dial.

If you enter an undesired selection at any time, simply press the BACK pad and re-enter the desired selections.

Speedcooking meats in the oven may produce smoke.

Speedcooking

Pre-Set Speedcook Menu Selections

Per USDA Guidelines, cook meat to an INTERNAL temperature of at least 160°F, and poultry to an INTERNAL temperature of at least 180°F.

Cooking to these temperatures usually protects against foodborne illness. For more information, see www.foodsafety.gov.

Food Category	Menu Selection	Food Category	Menu Selection	Food Category	Menu Selection	
Appetizers	Bagel Bites	Chicken	Bone-In	Sandwich	Corn Dog (frozen)	
	Cheese Sticks		Boneless		Crescent Roll Hot Dog	
	Egg Rolls (Frozen)		Fillet (frozen)		Grilled Sandwich	
	Jalapeño Poppers		Finger (frozen)		Pocket Sandwich	
	Meat Balls (Frozen)		Fried (frozen)		Seafood	Cod Fillets
	Nachos		Nugget (frozen)			Fish Sticks (frozen)
	Nuts, Roasted		Patty (frozen)			Frozen Breaded
	Onion Rings		Tender (frozen)			Orange Roughy Fillet
	Pizza Rolls		Wings (frozen)			Salmon
	Soft Pretzels (frozen)		Whole		Shellfish	
	Taquitos (frozen)		Desserts	Brownie Mix	Swordfish Steak (1")	
	Biscuits			Cookies	Talapia	
	Bread Sticks	Pie (fresh fruit)		Tuna Steaks		
	Cheese Bread	Pie Crust		Whitefish/Cod		
Crescent Rolls	Rolls (refrigerated)	Side Dish		Casserole		
Dinner Rolls	Turnovers		Refried Beans (16 oz)			
Garlic Bread	Entree		Egg Rolls (frozen)	Roasted Asparagus		
Texas Toast			Meatloaf (9x5)	Roasted Bell Pepper		
Breakfast			Taquitos (frozen)	Meatloaf (9x5)	Roasted Chilies (3-6)	
	Belgian Waffles		Meats	Roasted Corn (1-4)		
	Breakfast Pizza			Filet Mignon	Roasted Garlic	
	French Toast			Hamburger	Roasted Mixed Vegetables	
	Hashbrown Patties	Lamb Chops		Scalloped Potatoes		
	Pancakes (frozen)	Pork Chops				
	Rolls (refrigerated)	Ribeye Steak				
	Sausage Biscuit	Sirloin Steak				
	Sausage Links	Strip Steak				
	Sausage Patties	T-Bone Steak				
	Strudel (frozen)	Tenderloin				
	Turnovers	Pizza	Deli/Fresh			
	Waffles (frozen)		Frozen Pizza			
			Use Precooked Crust			
	Potatoes	Baked Potato				
		Hashbrown Patties				
		Frozen Fries				
		Frozen Nugget				
		Sweet Potato/Yam				

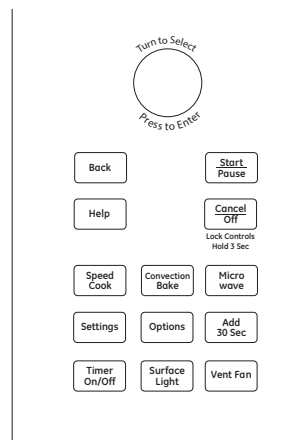
Speedcooking

Repeat Last

Use this time saving feature for cooking repetitive items like cookies or appetizers.

NOTE: The last program used is stored for two hours.

1. Press OPTIONS and select REPEAT LAST.
2. The last pre-set food will be displayed.
3. Press the START/PAUSE pad or the selector dial to start cooking.



Resume Feature

1. If your food needs to cook a bit longer, you can restart the oven by pressing the START/PAUSE pad or selector dial.
2. RESUME COOKING will be displayed and the oven will restart immediately at 10% of the original time.

The program stays in memory for 5 minutes. After that you will need to begin the program again. See the Pre-Set Speedcook Menu section.

My Recipe - Custom Speedcooking

The Advantium gives you the flexibility to cook your favorite dishes.

If you want to cook a food item that is not among the pre-set selections, use MY RECIPE to custom speedcook.

1. Press the SPEEDCOOK pad and select MY RECIPE. Press the dial to enter. Select NEW RECIPE.

If no entries are made within 15 seconds, the display will return to blank.

2. Turn the selector dial to select the cooking time. Press the dial to enter.

The display will prompt you to select the power level(s).

3. Turn the dial to select the upper power level. Turn the dial clockwise to increase or counterclockwise to decrease the upper power level. Press the dial to enter.
4. Turn the dial to select the lower power level. Press the dial to enter.
5. Turn the dial to select the microwave power level. Press the dial to enter.
6. Press the START/PAUSE pad or press the selector dial to start cooking.

For power level and cooking time suggestions, use your cooking guide, cookbook and the pre-set speedcook menu selections.

My Recipe - to enter and save

Add and save up to 30 of your own Speedcook or microwave recipes, or pre-set Speedcook menu recipes as a favorite recipe. Once it's done, you can quickly recall your favorite so that your food cooks just the way you want it every time!

1. Press the SPEEDCOOK or MICROWAVE pad.
2. Turn the dial to select MY RECIPE. Press the dial to enter.
3. Turn the dial until NEW RECIPE appears. Press the dial to enter.
4. ENTER COOK TIME appears. Turn the dial to select the cooking time. Press the dial to enter.

The display will prompt you to select the power level(s).

5. Turn the dial clockwise to increase or counterclockwise to decrease the power level(s). Press the dial to enter.

For power level and cooking time suggestions, use your cooking guide or cookbook.

6. Select SAVE from the summary screen.
7. SPELL THE FOOD NAME appears. Turn the dial to the first letter of your food description and press the dial to enter. Continue this process to spell the rest of the food name. Press the START/PAUSE pad to save the recipe and its name.

Speedcooking

My Recipe - Custom Speedcooking (cont)

My Recipe - to find and use

To find and use stored recipes:

1. Press the SPEEDCOOK or MICROWAVE pad.
2. Turn the dial to select MY RECIPE.
3. The recipe names you entered will appear.
4. Turn dial until the recipe you want is displayed and press the dial to enter.
5. Press the START/PAUSE pad or press the selector dial to start cooking.

My Recipe - to adjust or change

To adjust or change stored recipes:

1. Press the SPEEDCOOK or MICROWAVE pad.
 2. Turn the dial to select MY RECIPE.
 3. Turn the dial to the recipe you want to change. Press the dial to enter. Current settings appear.
 4. Select EDIT.
 5. Turn the dial to adjust the cooking time and press the dial to enter.
 6. Turn the dial to change the power level(s) and press the dial to enter each power level.
 7. Turn the dial to change the recipe name. Press the dial to enter each letter change.
 8. Press the START/PAUSE pad to save the revised recipe.
- For power level and cooking time suggestions, use your cooking guide or cookbook.

My Recipe - to delete

To delete stored recipes:

1. Press the SPEEDCOOK or MICROWAVE pad.
2. Turn the dial to select MY RECIPE.
3. Select the recipe you would like to delete.
4. Turn the dial to select DELETE.

Things that are Normal

Cooking Times

- When speedcooking pre-set menu foods, you may see OPTIMIZING COOK TIME in the display several seconds after you press START/PAUSE. The oven automatically senses the electrical voltage level in your home and adjusts the cooking time up or down for proper cooking.

Cooling Fans

- The fans will be on during cooking. At the end of cooking, the fans may continue to run for a short time to cool internal components. The fans will automatically shut off when the internal parts of the oven have cooled. The screen will display "Oven is Cooling".
- The oven vent will emit warm air while the oven is on.
- The exhaust fan may come on automatically if the oven becomes hot. See Automatic fan section.

Lights

- When the oven is on, light may be visible around the door or outer case.
- The halogen lights will dim and cycle on and off during a speedcook cycle, sometimes even at full power levels. This is normal. The oven senses the heat level and adjusts automatically.

Oven Heat

- No preheating time is required during speedcook cycles. The oven begins cooking immediately.
- The door and inside of the oven will be very hot. Use caution when opening the door and removing food. Be cautious of steam or vapor that may escape from around the door.
- Do not use cookware or coverings made of paper, plastic, or foil when speedcooking.
- When cooking for an extended period of time, the oven may automatically reduce the power levels to maintain the appropriate level of oven heat.

Sounds

- Clicks and a fan blowing are normal sounds during cooking. The electronic control is turning components on and off.

Interference

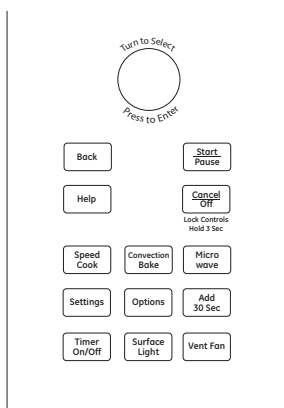
- TV/radio interference might be noticed while using the microwave, similar to the interference caused by other small appliances. It does not indicate a problem with the microwave. Move the radio or TV as far away from the microwave as possible, or check the position of the TV/radio antenna.

Convection Baking

Convection baking allows you to cook foods the same way as a conventional oven, using an element to heat the air inside the oven. Any oven temperature from 250°F to 450°F may be set.

A fan gently circulates heated air throughout the oven, over and around the food. Because the heated air is kept constantly moving, some foods cook slightly faster than in regular oven cooking.

Before you begin, make sure the metal rack is in place. Both racks may be used for two level cooking.



▲ WARNING When baking, remember that the oven, door and dishes will be very hot!

Per USDA Guidelines, cook meat to an INTERNAL temperature of at least 160°F, and poultry to an INTERNAL temperature of at least 180°F. Cooking to these temperatures usually protects against foodborne illness. For more information, see www.foodsafety.gov.



Put food directly on the metal tray or in the appropriate dish and place on wire oven rack when baking or warming.

How to Convection Bake

1. Press CONVECTION BAKE pad.
2. Turn the dial to set the temperature and press the dial to enter.
3. Press the dial to enter and confirm the selection.

To start immediately without setting a cook time, select START or press the START/PAUSE pad:

To set a cook time:

1. Turn the dial and select COOK TIME.
2. Turn the dial to set the cook time and press the dial to enter.
3. To start the cook time immediately, place the food in the oven and select START COOK TIME. Then press the dial or the START/PAUSE pad to start. The cook time will immediately start to count down.

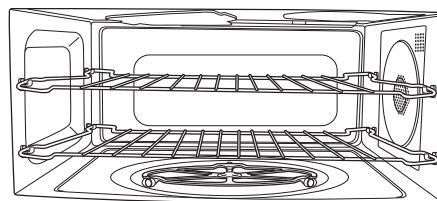
To start cook time after preheat, select START PREHEAT. The oven will signal once the oven reaches the cooking temperature. Place the food in the oven and press the START/PAUSE pad. The cook time will begin to count down.

If the oven door is opened during cooking, "Pause" will appear in the display. Close the door and press START/PAUSE pad.

Cook times are shown in hours and minutes and can be set to a maximum of 2 hours 59 minutes. Time can be changed during cooking by turning the dial.

Cooking Tips

- Metal pans are recommended for all types of baked products, but especially where browning is important.
- Dark or dull finish metal pans are best for breads and pies because they absorb heat and produce crisper crust.
- Shiny aluminum pans are better for cakes, cookies or muffins because they reflect heat and help produce a light tender crust.
- Glass or glass-ceramic casserole or baking dishes are best suited for egg and cheese recipes due to the cleanability of glass.
- When baking on one level, use the lower level. The top clips are to only be used in two level baking.



Broiling and Toasting

Broil and toast use the upper lamps and lower heater to broil or toast food similar to a conventional oven.

Before you begin, make sure the turntable is in place. Use the metal tray when toasting and when broiling.

▲ WARNING When baking or toasting, remember that the oven cavity, the oven door and dishes will be very hot!



The turntable must always be in place when using the oven.



Put food directly on the metal tray or the metal grill tray.

How to Broil

1. Press the OPTIONS pad.
2. Turn the dial to BROIL and press to enter.
3. Place the food in the oven and select START or press the START/PAUSE pad to start.

If the oven door is opened during cooking, "Pause" will appear in the display. Close the door and press the START/PAUSE pad.

Cooking Tips for Broiling

- Broiling times may be shorter in the Advantium oven because of the use of halogen lamps. Make sure to monitor food closely to get the desired results.
- For best results when broiling, place food directly on the metal tray.
- Broiling meats in the oven may produce smoke.
- If preheating the oven to broil meat, preheat with the metal tray in the oven and place food on the hot metal tray for best searing of meat.
- For best performance, preheat the oven for 5 minutes when broiling meat. Chicken performs best with no preheating.
- Foods should be turned halfway through broiling time.
- Remove thinner pieces as needed to prevent overcooking and drying.

How to Toast

1. Press the OPTIONS pad.
2. Turn the dial to TOAST and press to enter.
3. Turn the dial to set the toast time, place the food in the oven and select START or press the START/PAUSE pad to start.

If the oven door is opened during cooking, "Pause" will appear in the display. Close the door and press the START/PAUSE pad.

Cooking Tips for Toasting

- For best results when toasting, use the metal tray.
- No turning is necessary for most foods.
- When toasting nuts, stir halfway through the cooking time.
- Toast thicker pieces a longer time, thinner pieces a shorter time.

Warming and Proofing

Warming

The WARM feature will keep hot, cooked foods at serving temperature. Always start with hot food. Use cookware and utensils that can withstand temperatures up to 230°F.

1. Press the OPTIONS pad.
2. Turn the dial to select WARM. Press the dial to enter.
3. Turn the dial to select the level of moisture you want. See the chart and tips below. Press the dial to enter.
4. Select START or press the START/PAUSE pad to start. The oven starts warming immediately and shows the amount of warming time to complete.

If the oven door is opened during warming, "Pause" will appear in the display. Close the door and press the START/PAUSE pad.

To Crisp Stale Items:

- Select the CRISP setting. Preheat the oven for 10 minutes.

NOTE: Only preheat when crisping stale items.

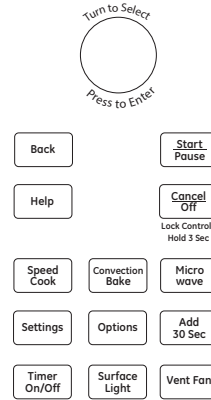
- Place food or dishes directly on the metal tray.
- Check crispness after 45 minutes. Add time as needed.

Tips for Crisp Food

- Leave food uncovered.
- Do not use plastic containers or plastic wrap.
- Preheating is not necessary except for crisping stale items. (See To Crisp Stale Items.)

Tips for Moist Food

- Cover food with lid or aluminum foil.
- Do not use plastic containers or plastic wrap.
- Preheating is not necessary.



The turntable must always be in place when using the oven.



Put food or oven-safe cookware directly on the metal tray to warm.

Temperature and Moisture Selection Chart

Food Type	Moisture Setting
Casseroles	MOIST
Chili/Soup	MOIST
Pancakes, waffles	MOIST
Pizza	CRISP
Potatoes, baked	CRISP
Chips/Crackers	CRISP

Proofing

The proofing feature automatically provides an appropriate temperature for the proofing process, and therefore does not have a temperature adjustment.

1. Press the OPTIONS pad.
 2. Turn the dial to select PROOF and press to enter.
 3. Select START or press the START/PAUSE pad to start. The oven starts proofing immediately and shows the amount of proofing time to complete.
- Check bread products early to avoid over-proofing.
 - To avoid lowering the oven temperature and lengthening proofing time, do not open the oven door unnecessarily.

NOTES:

- Do not use the proofing mode for warming food or keeping food hot. The proofing oven temperature is not hot enough to hold foods at safe temperatures. Use the WARM feature to keep food warm.
- Proofing will not operate if the oven is too hot. Allow the oven to cool before proofing.



The turntable must always be in place when using the oven.



Put bread dough in a bowl/bread pan and place on the metal tray to proof.

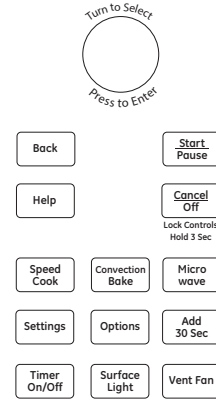
Microwaving

Make sure the turntable is in place.
Use the clear glass tray.

Place food or microwavable container directly on the clear glass tray to cook your food.

Cookware

Make sure that cookware is suitable for microwaving.



The **turntable** must always be in place when using the oven.



The **clear glass tray** should always be in place when **microwaving**.

Microwave Pre-Set Selections

<ul style="list-style-type: none"> ■ Cook <ul style="list-style-type: none"> -By Food Type -By Time -By Time 1 & 2 ■ Defrost <ul style="list-style-type: none"> -1.0 lb Quick -By Time -By Food Type -By Weight -Melt -Soften 	<ul style="list-style-type: none"> ■ Beverage <ul style="list-style-type: none"> -Water (8 oz) -Coffee (8 oz) -Tea (8 oz) -Milk (8 oz) -Hot Cocoa (8 oz) ■ Popcorn <ul style="list-style-type: none"> (2.9 or 3.5 oz) 	<ul style="list-style-type: none"> ■ Melt <ul style="list-style-type: none"> -Butter -Caramel -Cheese -Chocolate Chips -Marshmallow ■ Simmer ■ Soften <ul style="list-style-type: none"> -Butter -Cream Cheese -Frosting (16 oz) -Ice Cream 	<ul style="list-style-type: none"> ■ Reheat <ul style="list-style-type: none"> -Beverage -Casserole -Chicken -Pasta -Pizza -Plate of Food -Rice -Soup -Steaks/Chops -Vegetables
--	---	--	--

1. Press the MICROWAVE pad.

If no selection is made within 15 seconds, the display will return to blank.

2. Turn the dial to select COOK, DEFROST, BEVERAGE, POPCORN, MELT, REHEAT, SIMMER and SOFTEN.

3. Turn the dial to find the food you want to cook, defrost or reheat. Press the dial to enter.

4. Turn the selector dial to select the type, amount, weight and/or size as prompted by the oven. Press the dial after each selection.

5. Press the dial or the START/PAUSE pad to start cooking.

To review settings during cooking, press the selector dial.

If the door is opened during cooking, the oven will stop and PAUSE will appear in the display. Close the door and press START/ PAUSE to resume cooking.

If you enter an undesired selection at any time, simply press the BACK pad and re-enter the desired selections.

Microwaving

Cook By Time

Use COOK BY TIME to microwave food that is not in the pre-set microwave selections.

1. Press the MICROWAVE pad.
2. Turn the dial to select COOK BY TIME and press the dial to enter.
3. Turn the dial to set the cook time and press the dial to enter.

4. Turn the dial to set the power level and press the dial to enter.

5. Press the dial or the START/ PAUSE pad to start cooking.

You may open the door during COOK BY TIME to check the food. Close the door and press START/PAUSE to resume cooking.

Cook By Time 1 & 2

Use COOK BY TIME 1 & 2 to microwave food that requires two different times and power levels.

1. Press the MICROWAVE pad.
2. Turn the dial to select COOK and press the dial to enter.
3. Turn the dial to select COOK BY TIME 1 & 2 and press the dial to enter.

4. Turn the dial to set the first time and press the dial to enter. Repeat for the first power level, the second time, and the second power level.

5. Press the dial or the START/PAUSE pad to start cooking.
-

Microwave Power Level(s)

The microwave power level is automatically set on all microwave features but you can change it for COOK BY TIME, COOK BY TIME 1&2, ADD 30 SEC, and DEFROST BY TIME.

1. First, follow directions for COOK BY TIME, COOK BY TIME 1 & 2, MICRO 30, or DEFROST BY TIME.
2. Select START or press the START/PAUSE pad to start.
3. Press EDIT to change the cooking time and then the microwave power level. Press the dial to enter cooking time and power level changes.

Here are some examples of uses for various power levels:

High 10: Fish, bacon, vegetables, boiling liquids.

Med-High 7: Gentle cooking of meat and poultry; baking casseroles and reheating.

Medium 5: Slow cooking and tenderizing for stews and less tender cuts of meat.

Low 2 or 3: Defrosting; simmering; delicate sauces.

Warm 1: Keeping food warm; softening butter.

Add 30 Sec

Press ADD 30 SEC repeatedly for 30 second increments of microwave cooking time. Oven starts immediately.

The power level is automatically set at high, but you can change it for more flexibility. See Microwave Power Levels section for instructions.

My Recipes

See the MY RECIPE sections in the Speedcook section of this book for instructions on how to save, use, change or delete a microwave custom recipe.

Cooking Tips

- When cooking bacon, layer strips on a plate. Cover each layer with a paper towel.
- When cooking vegetables, use a microwave-safe casserole or bowl. Cover with a microwave-safe lid or vented plastic wrap.
- For frozen vegetables, follow the package instructions for adding water.
- For fresh vegetables, add 2 tablespoons of water for each serving.

Microwaving

Defrost by Food Type

DEFROST BY FOOD TYPE automatically sets the defrosting times and power levels to give even defrosting results for meats, poultry and fish weighing up to 6 pounds.

1. Remove meat from the package and place it on a microwave-safe dish. Bread should be left in the package with any metal twist-ties removed.
2. Press the MICROWAVE pad.
3. Turn the dial to DEFROST. Press the dial to enter.
4. Turn the dial to DEFROST BY FOOD TYPE. Press the dial to enter.
5. Turn the dial to select food type. Press the dial to enter.
6. Turn the dial to the food weight, using the Conversion Guide at right. For example, dial 1.2 for 1.2 pounds (1 pound, 3 oz.) Press the dial to enter.
7. Press the dial or START/PAUSE pad to start defrosting.
8. Turn the food over when the oven signals TURN FOOD OVER.

- Remove defrosted meat or shield warm areas with small pieces of foil for even defrosting.
- After defrosting, most meats need to stand 5 minutes to complete defrosting. Large roasts should stand for about 30 minutes.

Conversion Guide

If the weight of food is stated in pounds and ounces, the ounces must be converted to tenths (.1) of a pound.

Weight of Food in Ounces	Enter Food Weight (tenths of a pound)
1-2	.1
3	.2
4-5	.3
6-7	.4
8	.5
9-10	.6
11	.7
12-13	.8
14-15	.9

Defrost By Time

Use DEFROST BY TIME to defrost for a selected length of time.

1. Press the MICROWAVE pad.
2. Turn the selector dial to DEFROST. Press the dial to enter.
3. Turn the dial to DEFROST BY TIME. Press the dial to enter.
4. Turn the dial to select the time you want. Press the dial to enter.
5. Press the dial or START/PAUSE pad to start defrosting.

6. Turn the food over when the oven signals TURN FOOD OVER.

Power level is automatically set at 3, but can be changed. To change the power levels, see Microwave power levels for instructions.

You can defrost small items quickly by raising the power level after entering the time. Power level 7 cuts the total defrosting time in about half; power level 10 cuts the total time to about 1/3. When defrosting at high power levels, food will need more frequent attention than usual and may have some cooking.

Defrosting Tips

Use DEFROST BY FOOD TYPE for meat, poultry, fish, and bread. Use DEFROST BY TIME for most other frozen foods.

- Foods frozen in paper or plastic can be defrosted in the package when using DEFROST BY TIME. Meats should be taken out of the package when using DEFROST BY FOOD TYPE. Closed packages should be slit, pierced or vented after food has partially defrosted. Plastic storage containers should be partially uncovered.
- Family-size, prepackaged frozen dinners can be defrosted and microwaved. If the food is in a foil container, transfer it to a microwave-safe dish.
- Foods that spoil easily should not be allowed to sit out for more than one hour after defrosting. Room temperature promotes the growth of harmful bacteria.
- When defrosted, food should be cool but softened in all areas. If still slightly icy, return to the microwave very briefly, or let it stand a few minutes.
- When defrosting 3 or more pounds of ground or cubed meat, remove defrosted portions at the turn signals.

Microwaving

Sensor Cooking

The Advantium's microwave mode features sensor cooking and reheating. The oven automatically senses when food is done and shuts itself off-eliminating the need to program cook times and power levels.

The sensor feature detects the increasing humidity released during cooking. The oven automatically adjusts the cooking time to various types and amounts of food.

To use the sensor features:

1. Press the MICROWAVE pad.
2. Turn the dial to select COOK BY FOOD (located under COOK), REHEAT, or SIMMER.
3. For COOK BY FOOD and REHEAT, select a food and press the dial to enter. For SIMMER, set the time to simmer after the soup, sauce or stew has come to a boil.
4. Press the dial or press the START/PAUSE pad to start cooking.

Do not open the oven door until time is counting down on the display. If you open the door while sensor cooking, "Sensor Error - Close door and press START" will appear. Close the door immediately and press the START/PAUSE pad to begin again.

NOTE: Do not use the sensor features twice in succession on the same food portion-it may result in severely overcooked or burnt food. If the food is not done enough at the end of the sensor cook time, use COOK BY TIME in the microwave selector to cook for more time.

- If you have been cooking and the oven is hot, it may indicate that it is too hot for sensor cooking. In that case, the oven will automatically change to time cooking and may prompt for weights or amounts of food.
- To shorten or lengthen the cook time, wait until the time countdown shows in the display. Then turn the dial to add or subtract time.

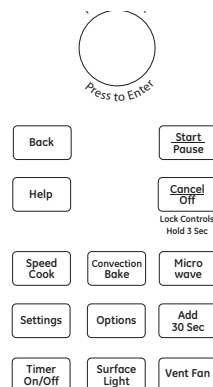
Notes about the Reheat program:

Reheated foods may have wide variations in temperature. Some areas may be extremely hot.

It is best to use COOK BY TIME and not REHEAT for these foods:

- Bread products
- Food that must be reheated uncovered
- Foods that need to be stirred or turned
- Foods calling for a dry look or crisp surface after reheating

How to adjust the oven's automatic COOK BY FOOD and REHEAT settings for a shorter or longer cook time (not available for all food types):



MICROWAVE SENSOR PROGRAMS:

- Ground Meat
- Popcorn – Prepackaged microwave popcorn, 3.0 oz. to 3.5 oz.
- Potato
- Rice
- Soup
- Vegetables (Canned, Fresh, Frozen)
- Chicken Reheat
- Pasta Reheat
- Plate of Food Reheat
- Soup Reheat
- Vegetable Reheat
- Simmer

To reduce the automatic cooking times: Right after the oven starts, turn the dial counterclockwise until a minus ("-") sign or a double minus ("--") sign appears and press the dial to enter. A minus ("-") sign is a 10% reduction of cooking time and a double minus ("--") sign is a 20% reduction of cooking time.

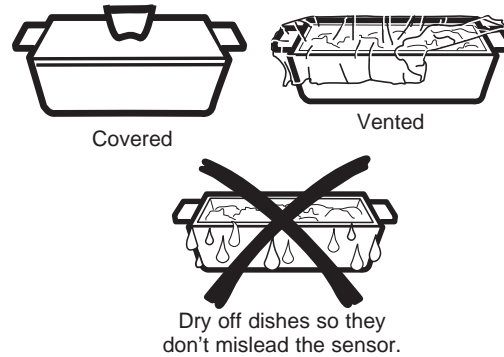
To increase the automatic cooking times: Right after the oven starts, turn the dial clockwise until a plus ("+") sign or a double plus ("++") sign appears and press the dial to enter. A plus ("+") sign is a 10% increase of cooking time and a double plus ("++") sign is a 20% increase of cooking time.

Microwaving

Sensor Cooking Cookware

The proper containers and covers are essential for best sensor cooking.

- Always use microwave-safe containers and cover them with lids or vented plastic wrap. Never use tight sealing plastic containers—they can prevent steam from escaping and cause food to overcook.
- Be sure the outside of the cooking containers and the inside of the oven are dry before placing food in the oven. Beads of moisture turning into steam can mislead the sensor.
- Popcorn and Potatoes are best heated uncovered.



Things that are Normal

Interference

- TV/radio interference might be noticed while using the microwave. Similar to the interference caused by other small appliances, it does not indicate a problem with the microwave. Move the radio or TV as far away from the microwave as possible, or check the position of the TV/radio antenna.

Oven Heat

- Cookware may become hot because of heat transferred from the heated food. Oven mitts may be needed to handle the cookware.
- Steam or vapor may escape from around the door.

Other Features

Cooking Complete

To remind you that you have food in the oven, the oven will display the cooking mode and COOKING COMPLETE and beep once a minute until you either open the oven door or press the CANCEL/OFF pad.

Repeat last

Use this time saving feature for cooking repetitive items like cookies or appetizers. This feature will repeat the last cooking cycle used, including time, temperature, power levels, and turntable settings

NOTE: The last program used is stored for two hours.

1. Press OPTIONS and select REPEAT LAST.
 2. The last cooking cycle will be displayed.
 3. Press the START/PAUSE pad or the selector dial to start cooking.
-

Resume feature

1. If your food needs to cook a bit longer, you can restart the oven by pressing the START/PAUSE pad or selector dial.
 2. RESUME COOKING will be displayed and the oven will restart immediately at 10% of the original time.
-

The program stays in memory for 5 minutes. After that you will need to begin the program again.

Clock

The clock must be set before you can use your oven for the first time. When setting the clock time for the first time go directly to step two.

The clock is designed to turn off when unit is idle for 30 seconds to minimize the standby power usage. The clock will turn on when unit is in use or door is opened. There is not an override option available based on the DOE energy requirements.

1. To change the clock time, press the SETTINGS pad and turn the dial to CLOCK SETTINGS. Select SET TIME.
 2. Turn the dial to set hours. Press the dial to enter.
NOTE: Setting hours sets AM/PM.
 3. Turn the dial to set minutes. Press the dial to enter.
-

Auto Conversion

Auto conversion automatically reduces the convection baking temperature. You still input the recipe temperature and the oven control does the rest.

To change the setting, press the SETTINGS pad and turn the dial to AUTO CONVERSION. Press the dial to enter. Turn the dial to change the setting to CONVERSION ON or CONVERSION OFF. Press the dial to enter.

Beeper Volume

Use this feature to adjust the volume of the beeper. You can even turn it off.

Press the SETTINGS pad, turn the dial to select BEEPER VOLUME, press the dial to enter. Select the beeper volume, press the dial to enter.

Temperature Units

To change temperature units, press the SETTINGS pad and select TEMPERATURE UNITS. Turn the dial to select F or C and press the dial to enter.

Other Features

Reminder

Use this feature to set an alarm beep to sound at a specific time of day.

1. Press the SETTINGS pad, turn the dial to select REMINDER and press the dial to enter.
2. Select SET REMINDER and press the dial to enter.
3. Turn the dial to set the time hour and minutes, press the dial to enter. **NOTE:** Setting the hours set AM/PM.

To turn off the Reminder, press the SETTINGS pad, turn the dial to select REMINDER and press the dial to enter. Turn the dial to select CLEAR REMINDER and press the dial to enter.

To check the Reminder time, press the SETTINGS pad, turn the dial to select REMINDER and press the dial to enter. Turn the dial to select REVIEW REMINDER and press the dial to enter. The display will show the Reminder time.

Turntable On/OFF

Use this feature to keep the turntable from turning when using a dish is too large to rotate in the cavity.

TURNTABLE ON/OFF is not a permanent setting.

Press the SETTINGS pad, turn the dial to select TURNTABLE ON/OFF and press the dial to enter. Turn the dial to select TURNTABLE ON or TURNTABLE OFF, press the dial to enter.

NOTE:

- The turntable will not turn off in Speedcook, Broil, Toast, or Microwave Sensor modes.
- A cooking cycle must be started within 5 minutes of turning the turntable off, or the turntable will reset to the on setting.
- The turntable will also remain off for cooking cycles started within 5 minutes of the end of any cooking cycle for which the turntable was off.

Auto Night Light

Use this feature to set the surface light to come on and go off at a certain time.

1. Press the SETTINGS pad, turn the dial to select AUTO NIGHT LIGHT and press the dial to enter.
2. Select SET ON TIME and press the dial to enter.
3. Turn the dial to set on time hour and minutes, press the dial to enter. Turn the dial to set off time hour and minutes, press the dial to enter. **NOTE:** Setting the hours sets AM/PM.

To disable the Auto Night Light feature, press the SETTINGS pad, turn the dial to select AUTO NIGHT LIGHT and press the dial to enter. Turn the dial to select DEACTIVATE and press the dial to enter.

To check the Auto Night Light on and off times, press the SETTINGS pad, turn the dial to select AUTO NIGHT LIGHT and press the dial to enter. Turn the dial to select REVIEW ON/OFF TIMES and press the dial to enter. The display will show the on and off time for the Auto Night light.

NOTE:

- Auto Night Light will turn on the surface light to the night setting, when the clock time matches the Auto Night Light on time, even if the surface light is on the bright setting.
- Auto Night Light will always turn the surface light off when the clock time matches the Auto Night Light off time if the surface light is turned on.

Delay Start

Use this feature to delay when the oven will start cooking in CONVECTION BAKE, COOK BY TIME, COOK BY TIME 1&2, DEFROST BY TIME, or DEFROST BY WEIGHT.

1. Press the OPTIONS pad.
2. Turn the dial to select DELAY START and press the dial to enter.

3. Turn the dial to set the start time hour and minutes, press the dial to enter.

NOTE: Setting the hours sets AM/PM.

4. Set the cooking mode.

The oven will start the programmed cooking mode when the clock time and the delay start time are the same.

Other Features

Help

Use this feature to find out more about your oven and its features.

1. Press the HELP pad.
2. Turn the dial to select the feature name. Press the dial to enter.

The display will show a description for the program you have chosen. Use the dial to scroll up or down to read the description.

Features found in the HELP function.

Adding Time	Options	Reminder
Auto Conversion	Defrost	Repeat Last
Auto Night Light	Defrost by Food	Resume
Back	Defrost by Time	Sensor Cooking
Beeper Volume	Defrost by Weight	Simmer
Beverage	Delay Start	Soften
Broil	Edit	Speed Cook
Cancel/Off	Help	Start/Pause
Clock	Melt	Temperature Units
Control Lockout	Add 30 Sec	Timer On/Off
Convection Bake	Microwave	Turntable On/Off
Cook by Food Type	My Recipes	Toast
Cook by Time	Proof	Warm
Cook by Time 1 & 2	Reheat	

Control Lock-Out

You may lock the control panel to prevent the oven from being accidentally started during cleaning or being used by children.

Press and hold CANCEL/OFF for 3 seconds to lock and unlock.

When the control panel is locked, CONTROL IS LOCKED will be displayed briefly anytime a pad or dial is pressed.

Timer

Use this feature anytime you need a general purpose timer. It can even be used while cooking in the oven.

1. Press the TIMER pad.
2. Turn the dial to select the minutes. Press the dial to enter.

3. Turn the dial to select the seconds. Press the dial to enter.

To cancel, press the TIMER pad.

Automatic Fan

Cooling fans automatically turn on as required to keep the internal oven components and control from overheating.

The vent fan may come on automatically if the oven gets too hot, even if the oven isn't running. The screen will display: "Normal Operation." Fan is on due to high heat. Fan will shut off automatically.

Surface Light

Use to light your cooktop.

Press the SURFACE LIGHT pad to change from bright to night to off.

Vent Fan

The vent fan removes steam and other vapors from surface cooking.

Press the VENT FAN pad to change from high to medium to low to off.

The vent fan may come on automatically if the oven gets too hot, even if the oven isn't running. The screen will display: "Normal Operation. Fan is on due to high heat. Fan will shut off automatically."

Care and Cleaning

Inside of the oven

Be certain the oven control is turned off and the oven is warm or cool to the touch before cleaning any part of this oven.

Clean the inside of the oven often for proper heating performance.

Some spatters can be removed with a paper towel, others may require a warm soapy cloth. Remove greasy spatters with a sudsy cloth, then rinse with a damp cloth.

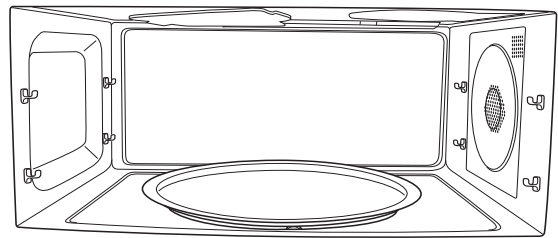
If the dirt and spatter do not come off easily with a warm sudsy cloth, place a medium sized bowl full of water in the unit on the metal tray and press the SPEEDCOOK pad. Select MY RECIPE and set for 10 minutes at U=10, L=10, M=7, C=10. This should loosen the dirt in the oven so that it can be removed with a warm sudsy cloth.

If you notice yellowing on the metal inside the oven that cannot be removed with a warm sudsy cloth, use a stainless steel cleaner that removes heat discoloration and/or tarnishing. You can then clean the inside of the oven as you normally do.

Do not use abrasive cleaners or sharp utensils on oven walls.

Never use a commercial oven cleaner on any part of your oven.

Do not clean the inside of the oven with metal scouring pads. Pieces can break off the pad inside the oven, causing electrical shock as well as damaging the inside surface finish of the oven.



Removable Turntable

The area underneath the turntable should be cleaned frequently to avoid odors and smoking during a cooking cycle.

The turntable can be broken if dropped. Wash carefully in warm, sudsy water. Dry completely and replace.

To replace the turntable, place its center over the spindle in the center of the oven and turn it until it seats into place.



Turntable

Do not use the oven without the turntable in place.

Cooking Trays and Wire Oven Rack

To prevent breakage, allow the trays to cool completely before cleaning. Wash carefully in hot, sudsy water or in the dishwasher.

Do not use abrasives to clean the glass tray or wire oven rack, as they may damage the finish.

A plastic scrubbing pad may be used to clean the metal trays.



Clear glass tray



Metal tray



Wire oven rack

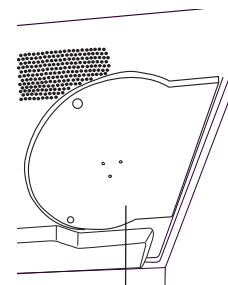


Metal grill tray

Mica Sheet

Do not remove the mica sheet.

To clean the mica sheet: Allow the oven to cool completely. Wipe clean with a warm soapy cloth.



Mica Sheet

Care and Cleaning

Halogen lamp cover and mica sheet

Do not remove the halogen lamp glass cover or the mica sheet.

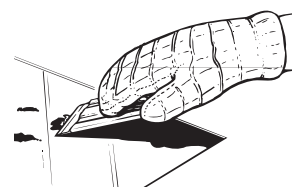
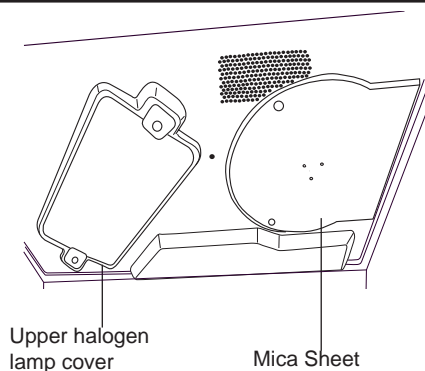
The upper halogen lamp cover must be kept free of grease and food splatterings in order to operate effectively.

Clean the lamp glass cover and mica sheet often to avoid excess smoking and decreased cooking power.

To clean the upper lamp cover: Allow the oven and glass cover to cool completely. Wipe clean with a warm soapy cloth or plastic scrubbie.

For heavy burned on soil, a cleaning scraper may be used to clean the halogen lamp cover. Hold the cleaning scraper at a 30° angle. Scrape the glass clean and wipe up excess soil.

To clean the mica sheet: Allow the oven to cool completely. Wipe clean with a warm soapy cloth.



Outside of the Oven

We recommend against using cleaners with ammonia or alcohol, as they can damage the appearance of the oven. If you choose to use a common household cleaner, first apply the cleaner directly to a clean cloth, then wipe the soiled area.

Case

Clean the outside of the microwave with a sudsy cloth. Rinse and then dry. Wipe the window clean with a damp cloth.

Control Panel

Wipe with a damp cloth. Dry thoroughly. Do not use cleaning sprays, large amounts of soap and water, abrasives or sharp objects on the panel - they can damage it. Some paper towels can also scratch the control panel.

Stainless Steel Surfaces (on some models)

The stainless steel panel can be cleaned with Stainless Steel Magic or a similar product using a clean, soft cloth. Apply stainless cleaner carefully, avoiding the surrounding plastic or glass parts. Do not use appliance wax, polish, bleach or products containing chlorine on stainless steel.

Plastic Color Panels (on some models)

Use a clean, soft, lightly dampened cloth, then dry thoroughly.

Door Seal

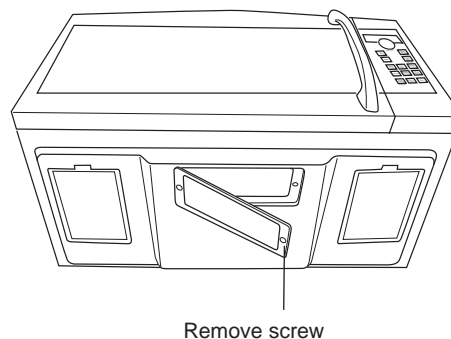
It's important to keep the area clean where the door seals against the oven. Use only mild, non-abrasive detergents applied with a clean sponge or soft cloth. Rinse well.

Bottom

Clean off the grease and dust on the bottom often. Use a solution of warm water and detergent.

Replacing the Surface Light

1. To replace the surface light, first disconnect the power at the main fuse or circuit breaker panel or unplug the oven.
2. Remove the screw from the side of the light compartment cover and lower the cover until it stops.
3. Be sure the bulb to be replaced is cool before removing. Gently pull the bulb from the receptacle.
Replace with a 130 volt, 50-watt halogen bulb. Order WB08X10051 from your GE Appliances supplier.
4. Raise the light cover and replace the screw. Connect electrical power to the oven.



Care and Cleaning

Removing and Cleaning the Filters

1. The metal filters trap grease released by foods on the cooktop. They also prevent flames from foods on the cooktop from damaging the inside of the oven.
2. For this reason, the filters must always be in place when the hood is used. The vent filters should be cleaned once a month, or as needed.
3. To remove, slide them to the rear using the tabs. Pull down and out.
4. To clean the vent filters, soak them and then swish around in hot water and detergent. Don't use ammonia or ammonia products because they will darken the metal. Light brushing can be used to remove embedded dirt.
5. Rinse, shake and let dry before replacing.
6. To replace, slide the filters into the frame slots on the back of each opening. Press up and to the front to lock into place.

Replacing the Oven Cavity Lamp

1. Disconnect power at the main fuse or circuit breaker panel.
2. Remove the top grill by removing the two screws that hold it in place.
3. Remove charcoal filter if present. Slide the filter toward the left and pull toward the front to remove.
NOTE: Charcoal filter is an optional kit, you may not have one.
4. Remove the screw holding the lamp shield in place.
5. Pull the lamp shield out. Pull the light bulb out and replace with the 120V-130V, 20-watt halogen bulb. Order WB25X10019 from your GE Appliances supplier.
6. Return the lamp and lamp shield to original position and replace screw and charcoal filter.
7. Replace the grill and 2 screws. Reconnect power to the oven.

Charcoal Filter (JX81D - optional kit)

If the model is not vented to the outside, the air will be recirculated through a disposable charcoal filter that helps remove smoke and odors.

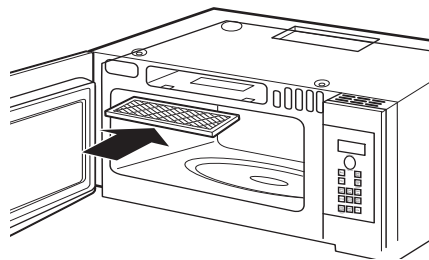
The charcoal filter cannot be cleaned. It must be replaced. Order Part No. JX81D-WB02X10943 from your GE Appliances supplier.

The charcoal filter should be replaced when it is noticeably dirty or discolored (usually after 6 to 12 months, depending on usage).

To install a new filter:

1. Remove plastic and other outer wrapping from the new filter.
2. Remove the top grill by removing the two screws that hold it in place.
3. Insert the filter into the top opening of the oven as shown.
4. It will rest at an angle on two back support tabs and in front by two tabs.
5. Replace the grill and two screws.

To remove the filter, repeat step 2 above, remove the filter and repeat step 5.



Troubleshooting Tips... Before you call for service

Save time and money! Review the charts on the following pages first and you may not need to call for service.

Problem	Possible Cause	What To Do
LIGHTS		
Light during a speedcook cycle dims and cycles on and off, even at full power levels	This is normal. Power level has been automatically reduced because the oven is hot.	This is normal. The oven senses the heat level and adjusts automatically.
Light visible around the door and outer case while speedcooking	This is normal.	When the oven is on, light may be visible around the door and outer case.
FAN		
Fan continues to run after cooking stops	The oven is cooling.	The fan will automatically shut off when the internal parts of the oven have cooled.
Oven vent emits warm air while oven is on	This is normal.	
Vent fan comes on automatically when oven not in use.	This is normal.	If the cooktop or oven gets hot enough the vent fan comes on. (see Automatic Fan section.)
Fan comes on automatically when using the microwave	This is normal.	If the microwave is used after speedcook and the oven senses that it is too hot, the vent fan comes on to cool the oven.
The oven makes unusual sounds while cooking.	Clicks and fans blowing are normal. The relay board is turning the components on and off.	These sounds are normal.
Fan sound changes while cooking.	This is normal.	Fan may turn on or off during cooking to maintain cooking temperature.
COOKING		
Smoke comes out of the oven when the door is opened	Food is high in fat content. Aerosol spray used on the pans.	Smoke is normal when cooking high-fat foods. Use vegetable oil or olive oil on the meat itself instead of coating the entire pan.
Food is not fully cooked or browned at the end of a cooking program	Programmed times may not match the size or amount of food you are cooking.	Increase or decrease time for doneness or adjust the upper or lower lamps for browning.
Oven has turned off in Warm, Proof, or Convection Bake	The maximum cooking time of 179 minutes has been reached.	This is normal. The control will automatically turn off the oven and indicate that cooking time is reached. The cooking time is not always displayed.
	A cooking time was set for Convection Bake to start after preheat and the door was not opened at the end of preheat.	This is normal. The control will automatically turn off the oven after one hour and indicate that cooking is complete if the door is not opened.
DISPLAY		
The display is blank		The clock is designed to turn off when unit is idle for 30 seconds to minimize the standby power usage. (See Clock section)
Control Panel "LOCKED" appears in display.	The control has been locked.	Press and hold CANCEL/OFF for about 3 seconds to unlock the control. See Other Features Section.
Control display is lighted yet oven will not start	Clock is not set.	Follow prompts to set the clock.
	Door not securely closed.	Open the door and close securely.
	START/PAUSE pad not pressed after entering cooking selection	Follow prompts.
	Delay Start was accidentally set.	Press CANCEL/OFF and reset.
	Oven is in DEMO Mode.	Unplug the oven for 1 minute. Then, plug the oven back into the wall. DO NOT set the oven clock; press and hold the HELP and START/PAUSE pads for 3 seconds. The control should exit DEMO mode. Set clock and continue.
	CANCEL/OFF was pressed accidentally.	Reset cooking program and press START/PAUSE.

Troubleshooting Tips... Before you call for service

Problem	Possible Cause	What To Do
OTHER PROBLEMS		
The door and inside of the oven feels hot	The oven produces intense heat in a small space.	This is normal. Use oven mitts to remove food when ready.
Floor of the oven is warm, even when the oven has not been used.	The cooktop light is located below the oven floor. When the light is on, the heat it produces may make the oven floor get warm.	This is normal.
Oven will not start	A fuse in your home may be blown or the circuit breaker tripped.	Replace fuse or reset circuit breaker.
	Power surge.	Unplug the oven, then plug it back in.
	Plug not fully inserted into wall outlet.	Make sure the plug on the oven is fully inserted into wall outlet.
Glass microwave tray does not lock into center hub.		Align the protrusion on the bottom of the glass microwave tray with the indentation in the turntable. This fit is not tight, some movement is normal.

FEDERAL COMMUNICATIONS COMMISSION RADIO FREQUENCY INTERFERENCE STATEMENT (U.S.A. ONLY)

This equipment generates and uses ISM frequency energy and if not installed and used properly, that is in strict accordance with the manufacturer's instructions, may cause interference to radio and television reception. It has been type tested and found to comply with limits for ISM Equipment pursuant to part 18 of FCC Rules, which are designed to part 18 of FCC Rules, which are designed to provide residential installation.

However, there is no guarantee that interference will not occur in a particular installation. If this equipment does cause interference to radio or television reception, which can be determined by turning the equipment off and on, the user is encouraged to try to correct the interference by one or more of the following:

- Reorient the receiving antenna of the radio or television.
- Relocate the Microwave Oven with respect to the receiver.
- Move the microwave oven away from the receiver.
- Plug the microwave oven into a different outlet so that the microwave oven and the receiver are on different branch codes.

The manufacturer is not responsible for any radio or TV interference caused by unauthorized modification to this microwave oven. It is the responsibility of the user to correct such interference.

Advantium Oven Warranty

GEAppliances.com

All warranty service is provided by our Factory Service Centers, or an authorized Customer Care® technician. To schedule service online, visit us at www.geappliances.com/service_and_support/, or call GE Appliances at 800.GE.CARES (800.432.2737). Please have your serial number and your model number available when calling for service.

For the period of	GE Appliances will replace
One year From the date of the original purchase	Any part of the oven which fails due to a defect in materials or workmanship. During this limited one-year warranty , GE Appliances will also provide, free of charge , all labor and related service costs to replace the defective part.
Five years From the date of the original purchase	The magnetron tube , if the magnetron tube fails due to a defect in materials or workmanship. During this five-year limited warranty , you will be responsible for any labor or in-home service costs.

What GE Appliances will not cover:

- Service trips to your home to teach you how to use the product.
- Improper installation, delivery or maintenance.
- Product not accessible to provide required service.
- Failure of the product or damage to the product if it is abused, misused (for example, cavity arcing from wire rack or metal/foil), or used for other than the intended purpose or used commercially.
- Replacement of house fuses or resetting of circuit breakers.
- Replacement of the cooktop light bulbs.
- Damage to the product caused by accident, fire, floods or acts of God.
- Incidental or consequential damage caused by possible defects with this appliance.
- Damage caused after delivery.

EXCLUSION OF IMPLIED WARRANTIES

Your sole and exclusive remedy is product repair as provided in this Limited Warranty. Any implied warranties, including the implied warranties of merchantability or fitness for a particular purpose, are limited to one year or the shortest period allowed by law.

This warranty is extended to the original purchaser and any succeeding owner for products purchased for home use within the USA. If the product is located in an area where service by a GE Appliances Authorized Servicer is not available, you may be responsible for a trip charge or you may be required to bring the product to an Authorized GE Appliances Service location for service. In Alaska, the warranty excludes the cost of shipping or service calls to your home.

Some states do not allow the exclusion or limitation of incidental or consequential damages. This warranty gives you specific legal rights, and you may also have other rights which vary from state to state. To know what your legal rights are, consult your local or state consumer affairs office or your state's Attorney General.

Warrantor: GE Appliances, a Haier company

Staple your receipt here. Proof of the original purchase date is needed to obtain service under the warranty.

Optional Kits

Available at extra cost from your GE Appliances supplier.

Filler Panel Kits

- JX36BSS - Stainless Steel
- JX36BES - Slate
- JX36BWW - White
- JX36BBB - Black
- JX36BDS-Dark Slate
- X36BTS - Black Stainless

When replacing a 36" range hood, filler panel kits fill in the additional width to provide a custom built-in appearance.

For installation between cabinets only; not for end-of-cabinet installation. Each kit contains two 3" wide filler panels.

Bump Out Kit

- JX15BUMPBB

Use when installing the microwave with cabinets that are 15" deep. The bump out kit will allow the microwave to be installed so that the ventilation holes on the top-front of the appliances are not blocked.

Filter Kits

- JX81D—Recirculating Charcoal Filter Kit

Filter kits are used when the oven cannot be vented to the outside.

To order, call GE Appliances at 877.959.8688 or go to GEApplianceparts.com

Consumer Support

GE Appliances Website

Have a question or need assistance with your appliance? Try the GE Appliances Website 24 hours a day, any day of the year! You can also shop for more great GE Appliances products and take advantage of all our on-line support services designed for your convenience. In the US: GEAppliances.com

Register Your Appliance

Register your new appliance on-line at your convenience! Timely product registration will allow for enhanced communication and prompt service under the terms of your warranty, should the need arise. You may also mail in the pre-printed registration card included in the packing material. In the US: GEAppliances.com/register

Schedule Service

Expert GE Appliances repair service is only one step away from your door. Get on-line and schedule your service at your convenience any day of the year. In the US: GEAppliances.com/ge/service-and-support/service.htm or call 800.432.2737 during normal business hours.

Extended Warranties

Purchase a GE Appliances extended warranty and learn about special discounts that are available while your warranty is still in effect. You can purchase it on-line anytime. GE Appliances Services will still be there after your warranty expires. In the US: GEAppliances.com/ge/service-and-support/shop-for-extended-service-plans.htm or call 800.626.2224 during normal business hours.

Remote Connectivity

For assistance with wireless network connectivity (for models with remote enable), visit our website at GEAppliances.com/ge/connected-appliances/ or call 800.220.6899 in the US.

Parts and Accessories

Individuals qualified to service their own appliances can have parts or accessories sent directly to their homes (VISA, MasterCard and Discover cards are accepted). Order on-line today 24 hours every day. In the US: GEApplianceparts.com or by phone at 877.959.8688 during normal business hours.

Instructions contained in this manual cover procedures to be performed by any user. Other servicing generally should be referred to qualified service personnel. Caution must be exercised, since improper servicing may cause unsafe operation.

Contact Us

If you are not satisfied with the service you receive from GE Appliances, contact us on our Website with all the details including your phone number, or write to:

In the US: General Manager, Customer Relations | GE Appliances, Appliance Park | Louisville, KY 40225
GEAppliances.com/ge/service-and-support/contact.htm



GE Profile™ HORNO ADVANTIUM®

INFORMACIÓN DE SEGURIDAD3

ADVANTIUM
 Familiarícese con Advantium.....9
 Funciones10
 Controles 11

COCCIÓN RÁPIDA
 Nivel de potencia de cocción rápida 12
 Consejos de cocción 13
 Recipientes 13
 Menú predeterminado.....14
 Repita la última función16
 Función para Reanudar.....16
 Mi receta 16
 Lo que es normal 17

HORNEAR CON CONVECCIÓN 18

ASAR Y TOSTAR19

CALENTAR Y FERMENTAR..... 20

COCCIÓN POR MICROONDAS
 Recipientes de cocina 21
 Selecciones Predeterminadas 21
 Cocinar por tiempo22
 Niveles de potencia de microonda22
 Mis Recetas22
 Consejos de cocimiento22
 Descogelación.....23
 Cocción por sensor24

OTRAS FUNCIONES.....26

CUIDADO Y LIMPIEZA29

CONSEJOS PARA LA SOLUCIÓN DE PROBLEMAS32

GARANTÍA34

KITS OPCIONALES35

SOPORTE PARA EL CONSUMIDOR .36

MANUAL DEL USUARIO

PSA9240

Anote aquí el número de modelo y serie:

Modelo # _____

Serie # _____

Encontrará estos números en la etiqueta adentro del horno.



MFL38211668

GRACIAS POR HACER QUE GE APPLIANCES SEA PARTE DE SU HOGAR.

Ya sea que haya crecido usando GE Appliances, o que ésta es su primera vez, nos complace tenerlo en la familia.

Sentimos orgullo por el nivel de arte, innovación y diseño de cada uno de los electrodomésticos de GE Appliances, y creemos que usted también. Entre otras cosas, el registro de su electrodoméstico asegura que podamos entregarle información importante del producto y detalles de la garantía cuando los necesite.

Registre su electrodoméstico GE ahora a través de Internet. Sitios Web y números telefónicos útiles están disponibles en la sección de Soporte para el Consumidor de este Manual del Propietario.

También puede enviar una carta en la tarjeta de inscripción preimpresa que se incluye con el material embalado.



GE APPLIANCES

INFORMACIÓN IMPORTANTE DE SEGURIDAD

LEA TODAS LAS INSTRUCCIONES ANTES DE USAR

PRECAUCIONES PARA EVITAR LA POSIBLE EXPOSICIÓN A ENERGÍA DE MICROONDAS EXCESIVA

- (a) **No intente hacer** funcionar el horno con la compuerta abierta ya que ésto puede provocar exposición peligrosa a la energía de microondas. Es importante no forzar ni dañar los seguros.
- (b) **No coloque** ningún objeto entre la parte frontal del horno y la compuerta, ni permita que se acumulen residuos de producto limpiador o detergente, suciedad o polvo en las superficies de sellado.
- (c) **No haga funcionar** el horno si se encuentra dañado. Es particularmente importante cerrar bien la compuerta
 - (1) la compuerta (doblada o curvada),
 - (2) las bisagras y pestillos (rotos o flojos),
 - (3) sellos de la compuerta y superficies de sellado.
- (d) **El horno no debe** ser ajustado o reparado por ninguna persona, excepto por personal de mantenimiento calificado.

⚠ ADVERTENCIA INSTRUCCIONES GENERALES DE SEGURIDAD

⚠ ADVERTENCIA Para reducir el riesgo de quemaduras, descargas eléctricas, incendio, lesiones o exposición a energía de microondas excesiva:

Lea todas las instrucciones antes de utilizar este aparato. Cuando utilice aparatos eléctricos, se deben seguir las precauciones de seguridad básicas, entre las que se incluyen las siguientes:

- Lea y siga las precauciones específicas de la sección Precauciones para evitar una posible exposición a excesiva energía de microondas
- Este aparato debe contar con una conexión a tierra. Conecte sólo a un tomacorriente con adecuada conexión a tierra. Ver la sección Instrucciones de conexión a tierra de la página 8.
- Este horno de microondas se encuentra aprobado por UL para la instalación sobre cocinas a gas (menos de 60,000BTU) y eléctricas.
- Este horno para usar sobre la estufa está diseñado para usarse sobre estufas de un ancho no superior a 36". Puede instalarse sobre equipamientos de cocción a gas y eléctricos.
- No utilice este aparato si tiene el cable eléctrico o el enchufe dañados, si no funciona bien o si ha sufrido una avería o una caída. Si se daña el cable eléctrico, debe reemplazarlo el Servicio Técnico de GE Appliances o un agente de servicio autorizado utilizando un cable eléctrico de GE Appliances.
- Para reducir el riesgo de incendio en la cavidad del horno:
 - Para reducir el riesgo de incendio dentro del horno:
 - No cocine de más los alimentos. Preste atención al aparato cuando se coloquen papel, plástico u otros materiales combustibles dentro del horno durante la cocción.
 - Quite los ganchitos de alambre y las manijas de metal de los recipientes de papel o de plástico antes de colocarlos en el horno.
- No utilice el horno para almacenar elementos. No deje productos de papel, utensilios de cocina o alimentos en el horno cuando no lo esté usando.
- No cocine palomitas de maíz en el horno de microondas a menos que cuente con un accesorio especial para microondas o que utilice palomitas de maíz especiales para hornos de microondas.
- Si los materiales ubicados dentro del horno se prenden fuego, mantenga cerrada la puerta del horno, apáguelo y desconecte el cable eléctrico, o corte la energía desde el panel de fusibles o del interruptor de circuitos. Si se abre la puerta, el fuego puede propagarse.
- No utilice las funciones del sensor dos veces seguidas en la misma porción de comida. Si los alimentos no se cocinaron después de la primera cuenta regresiva, utilice COOK BY TIME (cocinar por tiempo) para obtener tiempo de cocción adicional.
- No use el horno para secar periódicos.
- Asegúrese que su aparato esté debidamente instalado y puesto a tierra por un técnico calificado de acuerdo con las instrucciones de instalación suministradas.
- Instale y coloque este aparato de acuerdo con las Instrucciones de Instalación suministradas.
- Algunos productos como huevos enteros y recipientes sellados – por ejemplo, botes sellados – pueden explotar y no deben calentarse en este horno. Si lo utiliza de esta manera puede resultar en una lesión.
- No monte este aparato arriba del fregadero.
- Este horno no está aprobado ni probado para uso marino.
- Este horno está aprobado UL para una instalación de pared estándar, arriba de 36 pulg.
- No opere este aparato si está dañado o si lo han dejado caer.
- Como con cualquier otro aparato, se requiere una cercana supervisión cuando se utilizado por niños.
- Utilice este aparato sólo para los fines descritos en este manual.
- No utilice químicos corrosivos o vapores en este aparato.

LEA Y GUARDE ESTAS INSTRUCCIONES

INFORMACIÓN IMPORTANTE DE SEGURIDAD LEA TODAS LAS INSTRUCCIONES ANTES DE USAR

▲ADVERTENCIA INSTRUCCIONES GENERALES DE SEGURIDAD (Cont.)

- Este horno está específicamente diseñado para calentar, deshidratar y cocinar alimentos, no se diseñó para uso en laboratorios o para uso industrial.
- Este aparato sólo debe ser reparado por personal de servicio calificado. Contacte a la empresa de servicio autorizada para la revisión, reparación o ajuste de este aparato.
- No cubra ni bloquee ninguna abertura del aparato.
- No guarde este aparato en el exterior. No lo utilice cerca del agua – por ejemplo, en un sótano mojado, cerca de una piscina, cerca de un grifo o en ubicaciones similares.
- Vea las instrucciones de limpieza de la superficie de la puerta en la sección de Cuidado y Limpieza del Horno, en este manual.
- Si agarran fuego los materiales adentro del horno, mantenga la puerta del horno cerrada, apague el horno y apague el fusible o interruptor automático del panel. Si abre la puerta, el fuego se puede propagar.
- Para evitar chispas no se debe utilizar la parrilla de alambre del horno para el cocimiento rápido o cocimiento con microonda.
- No cubra las parrillas u otra parte del horno con papel metálico. Esto puede sobrecalentar el horno.
- No deben utilizarse alimentos o utensilios metálicos de grandes dimensiones en este horno porque pueden crear un incendio o un riesgo de descarga eléctrica.
- No utilice productos de papel cuando el aparato se utiliza en modos diferentes al microondas.
- Termómetro—No utilice termómetros comunes de cocina u horno cuando cocine mediante el microondas. El metal y mercurio de estos termómetros pueden provocar una formación de arco eléctrico y generar posibles daños al horno. No utilice un termómetro en los alimentos que coloca en el microondas a menos que el termómetro esté diseñado o recomendado para usarse en el horno de microondas.
- No limpie con esponjillas de metal. Pueden desprenderse pedazos de la esponjilla y tocar partes eléctricas, provocando un riesgo de descarga eléctrica.
- No almacene materiales que no sean nuestros accesorios recomendados en este horno cuando no se encuentre en uso.
- No permita que el cable eléctrico cuelgue sobre el borde de la mesa o del mostrador de encimera.
- Mantenga el cable alejado de superficies calientes.
- No sumerja el cable eléctrico o el enchufe en agua.
- No haga funcionar el horno sin el plato giratorio en su lugar. El plato giratorio no debe tener ninguna clase de bloqueo para que pueda girar.
- Durante y después del uso, no toque o deje que su vestimenta u otros materiales inflamables entren en contacto con cualquier área interior del horno; deje pasar un tiempo prudencial para que se enfríen.
- Las potenciales superficies calientes incluyen la puerta, el piso, las paredes y la parrilla del horno y el plato giratorio.
- Es importante mantener limpia el área donde la puerta se sella contra el microondas. Sólo use detergentes suaves no abrasivos aplicados con una esponja limpia o un paño suave. Enjuague bien.
- No almacene ningún elemento directamente sobre la superficie del horno de microondas cuando éste se encuentre en funcionamiento.
- Mantenga el horno libre de acumulaciones de grasa.
- En cumplimiento con USDA, cocine la carne de res hasta alcanzar una temperatura INTERNA de por lo menos 160°F y las carnes de ave a una temperatura INTERNA de por lo menos 180°F. La cocción a estas temperaturas generalmente protege de enfermedades transmitidas por los alimentos. Para más información, consulte www.foodsafety.gov.

▲ADVERTENCIA El arco puede ocurrir durante el cocimiento rápido y el de microondas. Si observa chispas, presione la tecla CLEAR/OFF y corrija el problema.

Formación de arco, es el término de microondas, utilizado para chispas en el horno. Las chispas pueden ser causadas por:

- Contacto de metal o aluminio en los lados del horno.
- Aluminio no moldeado al alimento (las orillas que no están dobladas actúan como antenas).
- Utilice el aluminio de la manera en que se recomienda en este manual.
- Metales, como amarres, grapas en aves o platos con orillas de oro colocados en el horno.

- Los recipientes de metal o la parrilla de alambre del horno utilizada durante el cocimiento rápido o el de microonda (con excepción de las panas suministradas con el horno).
- Toallas de papel recicladas que contengan pequeños pedazos de metal utilizados en el horno.

NOTA: No guarde la parrilla en el microonda. La parrilla SÓLO debe utilizarse para Hornear con Convección, Calentar y Fermentar.

LEA Y GUARDE ESTAS INSTRUCCIONES

INFORMACIÓN IMPORTANTE DE SEGURIDAD

LEA TODAS LAS INSTRUCCIONES ANTES DE USAR

▲ ADVERTENCIA ALIMENTOS - INSTRUCCIONES DE SEGURIDAD

- Al cocinar con microonda, coloque los alimentos y recipientes sobre la bandeja de vidrio claro.
- No haga palomitas de maíz en el horno microonda a menos de que utilice un accesorio especial para hacerlo o que utilice uno marcado para horno microonda.
- No hierva huevos en este horno. La presión que se acumula adentro de la yema del huevo hará que explote, resultando en una posible lesión.
- No opere el horno sin alimentos adentro, ya que lo puede dañar. Incrementa el calor alrededor del magnetrón y acorta la vida del horno.
- Alimentos con la piel externa intacta como las papas, salchichas, embutidos, tomates, manzanas, hígados de pollo y otros menudos y las yemas de huevo deben ser pinchadas para permitir que el vapor salga durante el cocimiento.
- No descongele bebidas congeladas con cuellos de botellas estrechos (especialmente bebidas carbonatadas). Aunque el recipiente esté abierto, la presión se puede acumular. Esto puede causar que el recipiente explote, dando como resultado una posible lesión.
- Los alimentos que se cocinan en líquido (como la pasta) tienden a hervir más rápido que los alimentos que contienen menos humedad. Si esto ocurre, vea la sección de Cuidado y Limpieza del Horno para ver las instrucciones de cómo limpiar el interior del horno.
- Los alimentos calientes y el vapor pueden causar quemaduras. Tenga cuidado al abrir cualquier recipiente de comida caliente, incluyendo bolsas de palomitas de maíz, bolsas de cocimiento y cajas. Para evitar una posible lesión, dirija el vapor lejos de sus manos y cara.
- No cocine demasiado las papas. Se pueden deshidratar y agarrar fuego, causando daño al horno.
- Evite calentar alimentos para bebés en botes de vidrio, aunque estén destapados. Asegúrese que toda comida para bebé se cocine por completo. Mezcle la comida para distribuir el calor de forma pareja. Sea cuidadoso y evite hervir la fórmula al momento de calentarla. El recipiente se puede sentir más frío de lo que la fórmula realmente está. Siempre pruebe la fórmula antes de alimentar al bebé.
- No trate de freír en el horno.
- **AGUA SOBRECALENTADA**
Os líquidos, como el agua, café o té pueden calentarse arriba del punto de hervor sin que aparenten que están hirviendo. No siempre existen burbujas visibles o hervor cuando retira el recipiente del horno microonda. **ESTO PUEDE RESULTAR EN LÍQUIDOS MUY CALIENTES QUE HIERVEN REPENTINAMENTE CUANDO SE MUEVE EL RECIPIENTE O INTRODUCE UNA CUCHARA U OTRO UTENSILIO EN EL LÍQUIDO.**
Para reducir el riesgo de una lesión personal:
 - No sobrecaliente el líquido.
 - Mueva el líquido antes y a la mitad del calentamiento.
 - No utilice recipientes rectos con cuellos angostos.
 - Después de calentar, permita que el recipiente descansa en el horno microonda por un período corto de tiempo, antes de retirar el recipiente.
 - Tenga mucho cuidado cuando inserte una cuchara u otro utensilio adentro del recipiente.

LEA Y GUARDE ESTAS INSTRUCCIONES

INFORMACIÓN IMPORTANTE DE SEGURIDAD LEA TODAS LAS INSTRUCCIONES ANTES DE USAR

▲ ADVERTENCIA RECIPIENTES DE COCINA SEGUROS DISEÑADOS PARA MICROONDAS

Asegúrese de utilizar recipientes de cocina adecuados durante la cocción a microondas. Se pueden utilizar la mayoría de las cacerolas, platos para cocinar, tazas de medir, tazas normales, cerámica o loza que no tengan bordes metálicos o vidriados con un recubrimiento metálico. Algunos recipientes de cocina se encuentran marcados como adecuados para microondas.

- Coloque los alimentos o recipiente para microondas directamente en la bandeja de vidrio transparente para cocinar sus alimentos.
- La utilización de la bandeja metálica antiadherente durante la cocción en microondas puede producir resultados insatisfactorios.
- Los utensilios de cocina pueden tornarse muy calientes debido a la transferencia de calor proveniente de los alimentos calentados. Podrían requerirse guantes de cocina para manipular los recipientes de cocina.
- No utilice productos de papel reciclado. Las toallas, servilletas y papel encerado fabricados de material reciclado pueden contener partículas metálicas que pueden causar arqueo voltaico o prender fuego. Se deben evitar los productos de papel que contienen nylon o filamentos de nylon, ya que también pueden incendiarse.
- Utilice las láminas metálicas únicamente como se indica en este manual. Cuando utilice la lámina de metal en el horno, mantenga la lámina por lo menos 1" alejada de los costados del horno.
- Si utiliza un termómetro de carne mientras cocina, asegúrese que sea seguro para utilizarse en hornos microondas.
- Algunas bandejas de espuma (como aquellas en las que se empaca la carne) tienen una tira de metal delgada empotrada en la parte inferior. Cuando se cocinan con microondas, el metal puede quemar el fondo del horno o hacer que arda una toalla de papel.
- Se puede utilizar toallas de papel, papel encerado y las envolturas plásticas para cubrir los platos con el propósito de mantener la humedad y prevenir los salpicones. Asegúrese de ventilar cortando la envoltura plástica para que pueda escapar el vapor.
- No todas las cubiertas plásticas son adecuadas para hornos microondas. Lea en la caja las instrucciones correspondientes.
- Se deben cortar, perforar o ventilar como se indica en la caja las bolsas de cocina "hervibles" y bolsas plásticas cerradas herméticamente. De lo contrario, el plástico puede reventarse durante o inmediatamente después de la cocción, resultando en una posible lesión. También, los recipientes de almacenamiento plásticos deben al menos estar parcialmente descubiertos debido a que forman un sello muy ajustado. Al cocinar con recipientes cubiertos con envoltura plástica de manera muy ajustada, quite cuidadosamente la cubierta y dirija el vapor fuera y alejado de manos y rostro.
- Recipientes de cocina plásticos—Los recipientes de cocina diseñados para microondas son muy útiles, pero deben utilizarse con cuidado. Incluso el plástico diseñado para microondas podría no tolerar condiciones de sobre cocción, así como los materiales de vidrio o cerámica y podrían suavizarse o carbonizarse si se exponen a períodos cortos de sobre cocción. En exposiciones más prolongadas a la sobrecocción, los alimentos y los recipientes de cocina podrían coger fuego.
- No utilice la parrilla de alambre del hornopara cocinar con microonda.

Siga las siguientes pautas:

1. Utilice plásticos seguros para microondas únicamente y utilícelos estrictamente según las especificaciones del fabricante.
2. No cocine en el microondas recipientes vacíos.
3. No permita que los niños utilicen recipientes de plástico sin vigilarlos bien.



La **base giratoria** siempre debe estar colocada en su lugar cuando se utiliza el horno.



La **bandeja de cristal transparente** siempre deberá estar en su lugar cuando se cocina con **microondas**.

LEA Y GUARDE ESTAS INSTRUCCIONES

INFORMACIÓN IMPORTANTE DE SEGURIDAD

LEA TODAS LAS INSTRUCCIONES ANTES DE USAR

RECIPIENTES SEGUROS PARA EL HORNO, PARA COCIMIENTO RÁPIDO

▲ PRECAUCIÓN Riesgo de quemaduras

- El horno y la puerta se calentarán cuando utiliza el cocimiento rápido.
- Los recipientes se calentarán. Necesitará guantes para manipularlos.

▲ ADVERTENCIA Riesgo de fuego

- Cuando cocine rápido no utilice cubiertas, recipientes o bolsas para cocinar/rostizar fabricadas de aluminio, plástico, cera o papel.
- No cubra con aluminio el plato giratorio, las bandejas de metal ni ninguna parte del horno. Esto causará chispas en el horno.
- Utilice la bandeja de metal de la misma manera en que utilizaría una pana para hornear plana o una bandeja para hornear.
- No utilice la rejilla de alambre del horno para cocinar rápido.

- Cuando cocine coloque la comida directamente en las bandejas de metal a menos que el horno le indique que haga lo contrario.
- Puede utilizar en su horno cualquier plato que no sea de metal y que sea seguro en el horno. Colóquelos directamente sobre las bandejas.
- Si utiliza la bandeja de vidrio claro cuando cocine rápido obtendrá resultados de cocimiento inferiores y posiblemente rajará la bandeja de vidrio.
- Utilice las bandejas de metal especificadas para uso en este horno. Las otras bandejas de metal no están diseñadas para este horno y darán resultados de cocimiento inferiores.



Cuando utilice el horno el plato giratorio siempre debe estar colocado en su lugar.



Para cocinar rápido, convección, hornear, calentar o tostar coloque la comida directamente en la bandeja de metal.



Para cocimiento rápido coloque la comida directamente en la bandeja de metal para asar.

RECIPIENTES SEGUROS PARA EL HORNO, PARA HORNEAR CON CONVECCIÓN, ASAR, CALENTAR, FERMENTAR Y TOSTAR

▲ PRECAUCIÓN Riesgo de quemaduras

- El horno y la puerta se calentarán al hornear con convección, asar, calentar o tostar.
- Los recipientes se calentarán. Necesitará guantes para manipular los recipientes.

▲ ADVERTENCIA Riesgo de fuego

- Al asar o tostar no cubra los platos ni los recipientes plásticos, bolsas plásticas para cocinar/rostizar, envolturas plásticas, papel encerado ni papel.
- Utilice la bandeja de metal de la misma manera en que usaría una pana para hornear baja o una bandeja para hornear.

- Utilice la parrilla de alambre del horno cuando hornee con convección o para calentar.
- Cuando cocine coloque la comida directamente sobre las bandejas de metal a menos de que la receta requiera un plato.
- En este horno puede utilizar cualquier plato seguro para el horno. Colóquelos directamente sobre las bandejas.
- Si utiliza la bandeja de vidrio claro cuando hornee con convección, ase, caliente o toste obtendrá resultados inferiores en el rendimiento de cocimiento.



Cuando utilice el horno el plato giratorio siempre debe estar colocado en su lugar.



Para asar coloque la comida directamente en la bandeja de metal para asar.



Para niveles de hornear o calentar coloque la comida directamente sobre la bandeja de metal o en el plato apropiado y colóquelo en la parrilla de alambre del horno.



Para hornear con convección, calentar o tostar coloque la comida directamente en la bandeja de metal.

LEA Y GUARDE ESTAS INSTRUCCIONES

INFORMACIÓN IMPORTANTE DE SEGURIDAD LEA TODAS LAS INSTRUCCIONES ANTES DE USAR

INSTRUCCIONES DE CONEXIÓN A TIERRA

⚠ ADVERTENCIA El uso inadecuado del enchufe de conexión a tierra puede provocar un riesgo de descarga eléctrica.

Este electrodoméstico debe estar conectado a un sistema de cableado de metal permanente con conexión a tierra o se debe tender un conducto para la conexión a tierra del equipo con los conductores del circuito y conectado al terminal de tierra del equipo o al conductor de suministro del electrodoméstico.

EL VENTILADOR

El ventilador funciona automáticamente en ciertas condiciones (ver la sección Ventilador). Evite el inicio y propagación de incendios accidentales de cocción mientras el ventilador se encuentra en uso.

- Limpie a menudo la parte inferior del microondas. No permita que la grasa se acumule en el microondas o en los filtros del ventilador.
- En caso de un incendio de grasa en las unidades de superficie debajo del horno de microondas, apague el recipiente en llamas sobre la unidad de superficie cubriendo el recipiente por completo con una tapa, una plancha para galletas o una bandeja plana.
- Tenga cuidado al limpiar los filtros del ventilador. Los agentes de limpieza corrosivos, como los limpiadores de horno basados en lejía, pueden dañar los filtros.
- Si flambea alimentos debajo del horno de microondas, encienda el ventilador.
- Nunca deje unidades de superficie desatendidas debajo de su horno de microondas en configuraciones de calor altas. Los alimentos que hierven y se derraman pueden provocar humo y derrames grasosos que pueden prenderse fuego y propagarse si el ventilador del microondas se encuentra en funcionamiento. Para minimizar el funcionamiento del ventilador automático, utilice recipientes de cocción del tamaño adecuado y use calor alto en las unidades de superficie sólo cuando sea necesario.

⚠ ADVERTENCIA MARCA PASOS

La mayoría de los marca pasos están protegidos contra la interferencia de aparatos electrónicos, incluyendo los microondas. Sin embargo, cuando tengan alguna duda, los pacientes con marca pasos deben consultar con su médico.

LEA Y GUARDE ESTAS INSTRUCCIONES

Familiarícese con Advantium

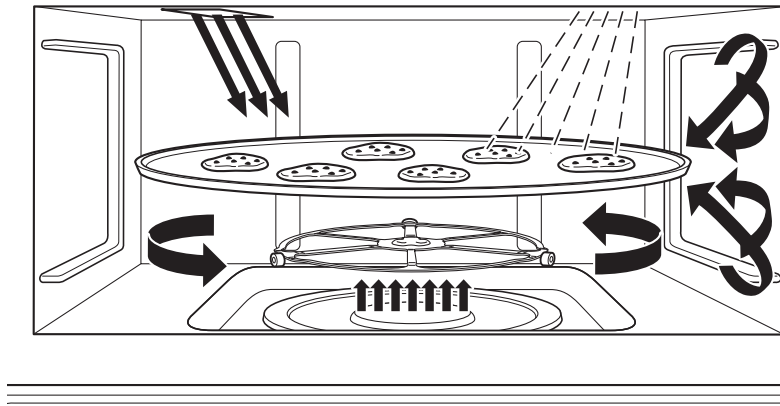
¿Qué es Advantium?

El horno Advantium utiliza tecnología avanzada de Cocimiento rápido para aprovechar la energía de la luz. El horno Advantium cocina el exterior de los alimentos muy parecido al calor radiante convencional, al mismo tiempo que penetra la superficie para cocinar el interior simultáneamente.

La luz halógena es la fuente primaria de energía, un sistema de convección y un calentador de cerámica ayudan al cocimiento, con un "refuerzo de microonda" agregado en algunos algoritmos de cocimiento. Los alimentos se cocinan parejos y rápido, al mismo tiempo que retienen su humedad natural.

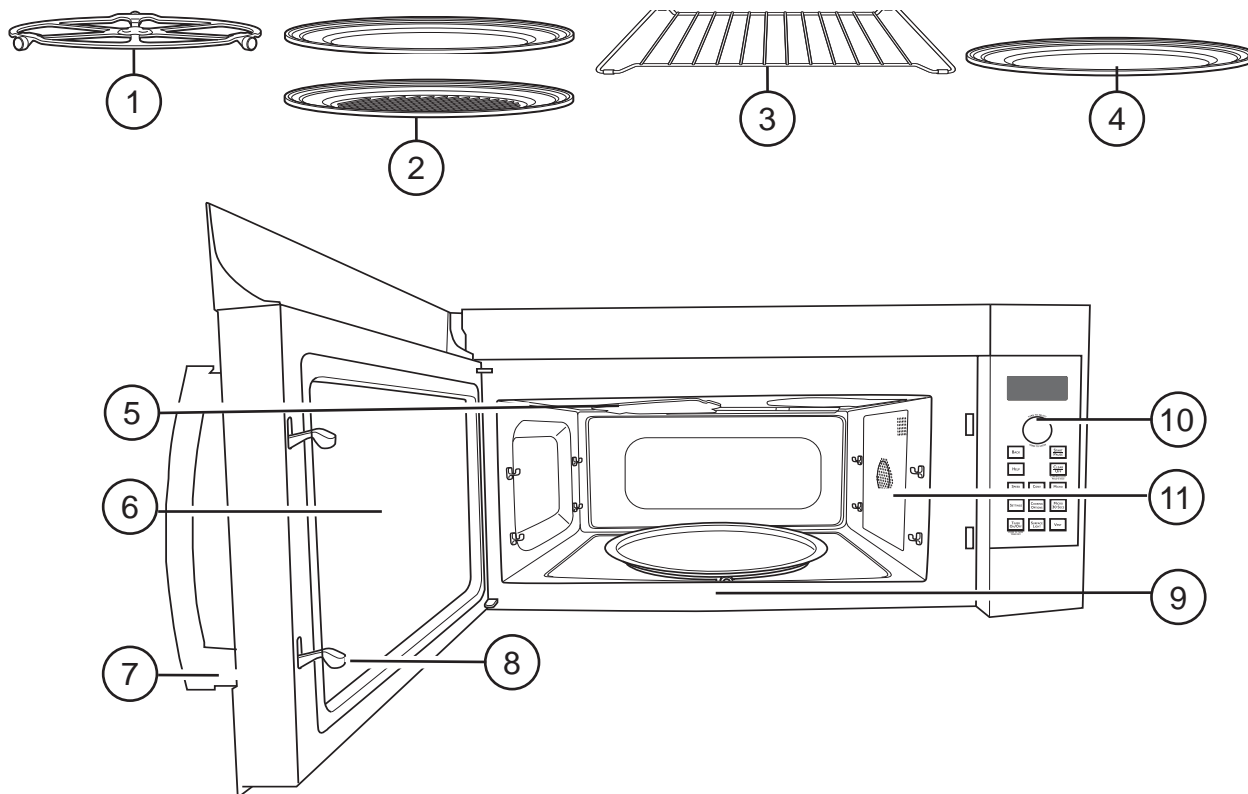
El horno Advantium es capaz de cocinar rápido, hornear con convección, asar, tostar, calentar, fermentar y cocinar con microonda. La función de cocimiento rápido es el mayor beneficio del horno Advantium.

Para cocinar rápido no se requiere precalentar. Coloque los alimentos en el horno y comience a cocinar inmediatamente. Se ahorra tiempo ya que no precalienta y debido a que éste cocina más rápido.



Funciones del Horno

A través de este manual, las características y apariencia pueden variar de las de su modelo



1. Plato Giratorio

Para todos los tipos de cocimiento el plato giratorio siempre debe estar en su lugar, en el piso del horno. Asegúrese de que esté colocado seguro sobre el eje en el centro del horno.

2. Bandeja de Metal

Al cocinar rápido, asar y tostar coloque los alimentos directamente en la bandeja de metal y coloque el plato giratorio.

3. Parrilla de Alambre del Horno

Al hornear con convección o calentar coloque los alimentos directamente en la bandeja de metal o plato seguro para el horno sobre la parrilla de alambre del horno.

4. Bandeja de Vidrio Claro

Coloque el plato giratorio cuando utilice las funciones de microonda. Coloque los alimentos o el recipiente seguro para microondas directamente en la bandeja.

5. Lámparas Halógenas Superiores

Al cocinar rápido, asar y tostar, dos lámparas halógenas de 1200W cocinan los alimentos.

6. Ventana

Permite ver el cocimiento, al mismo tiempo en que mantiene confinadas las microondas adentro del horno.

7. Manillita de la Puerta

Hale para abrir la puerta.

8. Aldabas de la Puerta

Para que el horno funcione la puerta debe estar cerrada con la aldaba.

9. Calentador de Cerámica Inferior

Un calentador de cerámica de 500W cocina los alimentos por la parte de abajo, al cocinar rápido, asar o tostar.

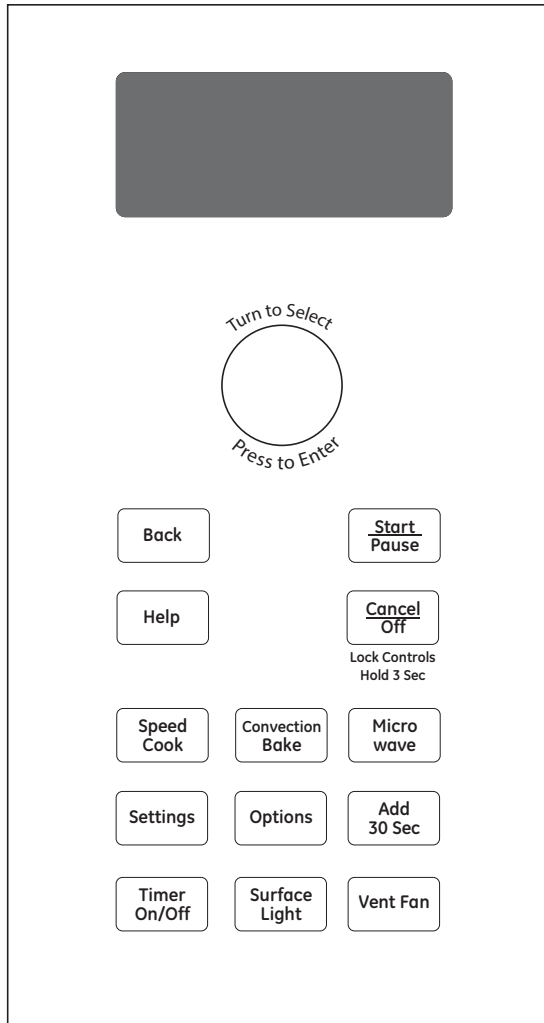
10. Panel de Control

Las teclas utilizadas para operar el horno están ubicadas en el panel de control.

11. Sistema de Convección

Un elemento de calentamiento de 1550W cocina los alimentos con un ventilador de convección haciendo circular el aire caliente a través de la cavidad para cocinar rápido, asar, hornear con convección, tostar y calentar.

Con su horno advantium usted podrá cocinar con luces halógenas de alta intensidad, calentadores de cerámica, elemento de calentamiento de convección y/o con energía de microonda convencional.



SELECTOR DIAL (dial selector)

Gire para seleccionar. Presione para ingresar. Gire para seleccionar alimentos, nivel de energía o selecciones de temperatura. También utilice el dial para aumentar (gire en sentido de las agujas del reloj) o disminuir (gire en sentido contrario a las agujas del reloj) el tiempo. Simplemente presione el botón para ingresar la selección.

BACK (regreso)

Presione este botón para retroceder uno o más niveles del proceso de programación.

HELP (ayuda)

Presione este botón para averiguar más sobre las funciones del horno.

DISPLAY (pantalla)

Muestra las selecciones de las funciones e información sobre el horno cuando se encuentra en uso.

START/PAUSE (inicio/pausa)

Presione esta tecla para iniciar o detener cualquier función de cocimiento.

CANCEL/OFF (borrar/apagar)

Presione esta tecla para cancelar TODOS los programas del horno, con excepción del reloj, la luz automática nocturna, el cronómetro, el ventilador del respirador y la luz de superficie.

SPEEDCOOK (cocimiento rápido)

Presione este botón para acceder al menú predeterminado de cocción rápida o para configurar su propio programa de cocción

CONVECTION BAKE (hornear con convección)

Presione esta tecla para hornear con convección.

MICROWAVE (microonda)

Presione esta tecla para acceder al menú de microonda o para ajustar su propio programa de microonda.

SETTINGS (ajustes)

Presione esta tecla para programar el reloj y acceder al plato giratorio on/off, conversión automática, luz nocturna automática, volumen del pito, recordatorio y unidades de temperatura.

COOKING OPTIONS (opciones de coc.)

Presione este botón para acceder a repetir el último, asar, leudar, tostar, calentar e inicio retardado.

Add 30 Sec (agregar 30 segundos)

Inicia el microondas durante 30 segundos de cocción. Se agregan 30 segundos adicionales al tiempo de cocción restante cada vez que se presiona el botón.

TIMER ON/OFF (cronómetro on/off)

Presione este botón para retroceder uno o más niveles del proceso de programación.

SURFACE LIGHT (luz de la superficie)

Presione esta tecla para encender y apagar la luz de la plancha.

Vent Fan (ventilador de ventilación)

Presione esta tecla para encender y apagar el ventilador del respirador.

Cocción Rápida

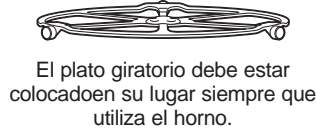
⚠ ADVERTENCIA Riesgo de fuego

Cuando utilice los programas de cocción rápida, recuerde que el horno, compuerta y los platos se encontrarán muy calientes!

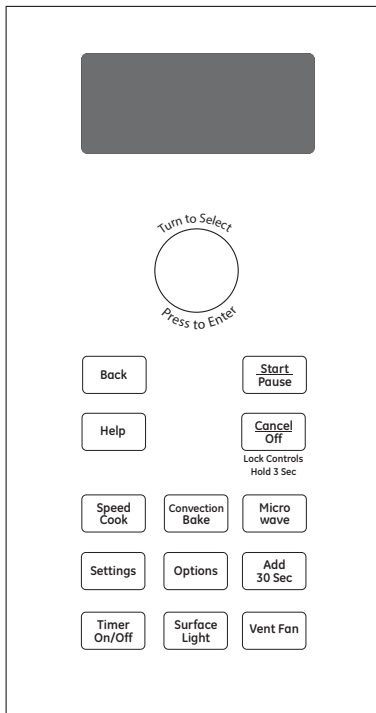
Antes de utilizar su horno por primera vez, se debe programar el reloj. Consulte la sección de Clock (reloj).

Antes de empezar, asegúrese que se encuentre colocada la base giratoria. Si es necesario, utilice la bandeja de metal antiadherente y sus propios recipientes de cocina de cerámica o vidrio.

- El horno se detendrá si abre la puerta durante el cocimiento y aparecerá PAUSE en la pantalla. Para reanudar el cocimiento cierre la puerta y presione START/PAUSE.
- Seleccione EDIT para cambiar el tiempo o los niveles de potencia en cualquier momento durante el cocimiento.
- Se produce humo al cocinar rápido carnes en el horno.
- Para cocinar un tiempo adicional después de que terminó el ciclo de cocimiento, utilice la función para Reanudar, como se le indica en la pantalla.



Nivel de potencia de la función de cocción rápida



El Advantium utiliza energía de las lámparas halógenas de alta intensidad, del calentador de cerámica, del sistema de convección y de microondas para cocinar simultáneamente los alimentos por arriba, abajo y en el interior, y sellar la humedad y el sabor.

Cuando utilice el menú predeterminado de alimentos, los niveles de potencia ya están seleccionados para usted. Sin embargo, estos se pueden ajustar al utilizar el menú predeterminado de alimentos y MY RECIPE (mi receta).

Cada nivel de potencia le ofrece energía de la lámpara halógena o del calentador de cerámica y de microonda durante cierto porcentaje de tiempo o le ofrece calentamiento para el sistema de convección.

Por ejemplo:

- U-07 Lámpara halógena superior encendida el 70% del tiempo.
- L-07 Calentador de cerámica inferior encendido el 70% del tiempo.
- M-05 Microonda encendido el 50% del tiempo.
- C-07 Elemento de convección caliente el horno a 350°F.

NOTA: Tenga cuidado al ajustar los niveles de potencia de manera que no cocine los alimentos demasiado o muy poco.

1. Presione la tecla SPEED COOK y seleccione su comida (siga las instrucciones de uso del menú predeterminado de cocimiento rápido).
2. Cuando la pantalla muestre EDIT, SAVE o START, gire el dial para seleccionar EDIT (editar).

Si no desea cambiar ninguno de los ajustes, simplemente presione el dial y pase a la siguiente selección.

3. Presione el dial si no desea ajustar el tiempo de cocimiento.
4. Gire el dial en dirección de las manecillas de reloj para aumentar o al contrario para disminuir el nivel de potencia superior. Presione el dial para seleccionar.
5. Gire el dial para cambiar el nivel de potencia inferior. Presione el dial para seleccionar.
6. Gire el dial para cambiar el nivel de potencia de microonda. Presione el dial para seleccionar.
7. Gire el dial para cambiar el nivel de potencia de convección. Presione el dial para seleccionar.
8. Presione la tecla START/PAUSE o el dial selector para comenzar a cocinar.

Cocción Rápida

Nivel de potencia de la función de cocción rápida (cont)

Siga estas guías generales cuando seleccione los mejores ajustes de U=, L=, M= y C= para sus recetas favoritas.

- U = Seleccione un ajuste más alto para alimentos delgados que requieren un café dorado en la parte de arriba (por ejemplo: filetes de pescado, tostadas, pechugas de pollo deshuesadas). Seleccione un ajuste más bajo para alimentos gruesos o con mucho contenido de azúcar o grasa (por ejemplo: muffins, rostizados, cacerolas) o que requieran un tiempo de cocimiento más largo.
- L = Seleccione un ajuste más alto para alimentos gruesos o densos que no requieren un cocimiento rápido en el centro (por ejemplo: steaks, cacerolas). Seleccione un ajuste más bajo para alimentos delgados (por ejemplo: galletas).

- M = Seleccione un ajuste más alto para acortar el tiempo de cocimiento para alimentos densos o pesados (por ejemplo: cacerolas, pollos enteros). Seleccione un ajuste más bajo para alimentos delicados (por ejemplo: panes) o alimentos que requieren un período de cocimiento más largo para obtener resultados suaves (por ejemplo: steaks, carne para asar).
- C = Seleccione un ajuste más bajo para alimentos más delicados que se cocinan a temperaturas más bajas. Seleccione un ajuste más alto (7 o mayor) para alimentos robustos o que se cocinan a temperaturas arriba de 350°F.

Consejos de cocción

Arrange food on the metal trays as shown to ensure consistent and even browning.

Foods can touch but should not overlap.

La carne, pollo, pescado o mariscos frescos que están congelados deben descongelarse antes de cocinarlos. (Puede utilizar la función de descongelación del microonda). Siga las instrucciones del paquete para otros alimentos congelados empacados.



Patrón circular
(Ejemplo, biscochos, galletas)



Patrón lado a lado
(Ejemplo, carnes y pollos)



Patrón de rayo
(Ejemplo, croissants, palitos de pan)



Una capa
(Ejemplo, aperitivos)

Recipientes para cocción rápida

⚠ PRECAUCIÓN Riesgo de quemaduras

- Los recipientes se calentarán. Necesitará guantes para manipular los recipientes.
- Siga las sugerencias para el recipiente que aparecen en la pantalla del horno o en el Libro de Recetas.
- Cuando cocine coloque los alimentos directamente en la bandeja de metal o en la bandeja de metal para asar, a menos de que el horno le indique lo contrario.
- Utilice la bandeja de metal de la misma manera en que utilizaría una pana para hornear baja o una bandeja para hornear.

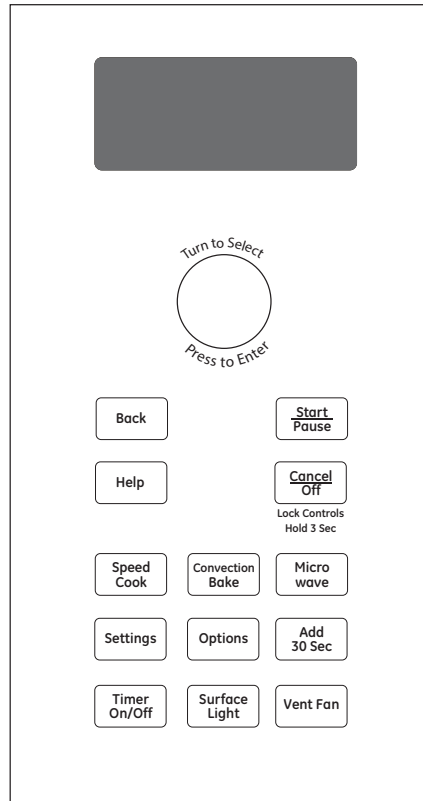
- Además de los utensilios suministrados, usted puede utilizar platos de cacerolas que no sean de metal, platos para tartas y otros recipientes seguros para el calor. Colóquelos directamente en la bandeja de metal.



- Asegúrese de seleccionar un tamaño que rote fácilmente.
- Coloque la bandeja de metal o la bandeja de metal para asar en el plato giratorio. Coloque el recipiente de vidrio o cerámica en la bandeja.
- Cuando cocine rápido no utilice recipientes ni cubiertas hechas de papel, plástico o aluminio.

Cocción Rápida

Menú predeterminado de cocimiento rápido



El Advantium está preconfigurado para cocinar más de 175 comidas populares.

1. Presione la tecla SPEEDCOOK.
Si no se realiza ninguna entrada durante 15 segundos, la pantalla volverá a quedar en blanco.
2. Gire el dial selector para seleccionar la categoría del tipo de alimento que desea. Presione el dial para seleccionar.
3. Gire el dial selector para seleccionar el alimento específico (selección de menú). Presione el dial para seleccionar.
4. Gire el dial selector para seleccionar la cantidad, tamaño y/o cocimiento (si lo requiere, el horno le indicará). Presione el dial después de cada selección.
5. Una vez que la pantalla muestre: EDIT (editar), SAVE (guardar) o START (iniciar), presione la tecla START/PAUSE o el dial selector para comenzar a cocinar.

Voltee la comida cuando el horno le indique TURN FOOD OVER (para cierto tipo de comida).

Cuando el horno indique CHECK for DONENESS, revise para ver si la comida está cocinada a su gusto (para ciertos alimentos).

Si desea revisar los ajustes durante el cocimiento presione el dial selector.

Si entró una selección no deseada, simplemente presione en cualquier momento la tecla BACK y vuelva a entrar las selecciones deseadas.

Se puede producir humo cuando cocinará rápido carne en el horno.

Cocción Rápida

Selecciones del menú predeterminado de cocimiento rápido

De acuerdo con la Guía de la USDA, se debe cocinar la carne a una temperatura INTERNA de por lo menos 160°F y el pollo a una temperatura INTERNA de por lo menos 180°F.

Cocinar a estas temperaturas generalmente protege contra enfermedades producidas por los alimentos. Para más información visite la pagina www.foodsafety.gov.

Categoría Alimento Selección del Menú

Aperitivos	Bocadillos de Bagel Palitos de Queso Rollos (congelados) Jalapeño Poppers Bolitas de Carne (cong.) Nachos Nueces, Rostizadas Aros de Cebolla Rollos de Pizza Pretzels Suaves (cong.) Taquitos (congelados)
Panes	Biscochos Palitos de Pan Pan de Queso Rollos Rollos para la cena Pan de ajo Tostadas Texasanas
Desayuno	Waffles Belgas Pizza de Desayuno Tostadas a la Francesa Tortitas de Papa Panqueques (congelados) Rollos (refrigerados) Biscocho con Salchicha Chorizos Tortitas de Salchicha Strudel (congelados) Empanadas Waffles (congelados)

Categoría Alimento Selección del Menú

Pollo	Con hueso Sin Hueso Filete (congelado) Dedos (congelado) Frito (congelado) Nugget (congelado) Tortita (congelado) Tierno (congelado) Alas (congelado) Entero
Postres	Mezcla de Brownie Galletas Tartas (fruta fresca) Cubierta para Tartas Rollos (refrigerados) Empanadas
Entradas	Rollos (congelados) Pan de carne (9x5) Taquitos (congelados)
Carnes	Filet Mignon Hamburguesas Chuletas de Cordero Chuletas de Cerdo Ribeye Steak Sirloin Steak Strip Steak TBone Steak Tenderloin
Pizza	Deli/Fresca Pizza Congelada Utilice corteza precocida
Papas	Papa horneada Tortitas de papa Papas congeladas Nugetts congelados Camote/Jícama

Categoría Alimento Selección del Menú

Sándwich	Banderillas (congelados) Rollo de Hot Dog Sandwich a la Parrilla Sandwich relleno
Mariscos	Filetes de Bacalao Palitos de pescado (cong.) Empanizado congelado Filete de pescado reloj Salmón Mariscos Steak de Pescado Espada (1") Talapia Steaks de Atún Pescado blanco/Bacalao
Guarnición	Cacerola Frijoles Fritos (16 oz) Espárragos rostizados Pimentón rostizado Chiles rostizados (36) Maíz rostizado (14) Ajo rostizado Vegetales mixtos rostizados Escalopas de papas

Cocción Rápida

Repita la última función

Utilice esta función para ahorrar tiempo para alimentos que cocina repetidas veces, como galletas y aperitivos.

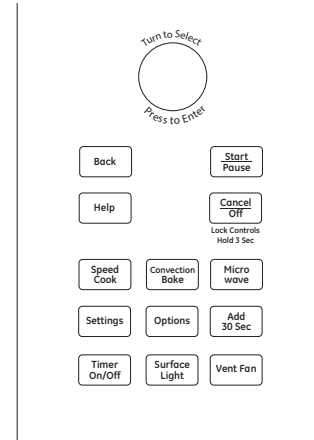
NOTEA El último programa que utilizóse guarda durante dos horas.

1. Presione Options (opciones) y seleccione REPEAT LAST (repita el último).
2. La pantalla mostrará el último alimento que preajustó.
3. Presione la tecla START/PAUSE o el dial selector para comenzar a cocinar.

Función para Reanudar

1. Si necesita cocinar la comida por más tiempo, usted puede reiniciar el horno al presionar la tecla START/PAUSE o el dial selector.
2. La pantalla mostrará RESUME COOKING (reanudar el cocimiento) y el horno volverá a iniciar automáticamente al 10% del tiempo original.

El programa permanece en memoria durante 5 minutos. Después necesitará programar de nuevo. Vea la sección de Uso del menú predeterminado de cocimiento rápido.



Mi Receta cocimiento rápido personalizado

El Advantium le ofrece flexibilidad al cocinar sus platos favoritos.

Si desea cocinar una comida que no se encuentra entre nuestras selecciones predeterminadas, utilice My Recipe para personalizar el cocimiento rápido.

1. Presione la tecla SPEEDCOOK y seleccione MY RECIPE (mi receta). Luego presione el dial para seleccionar. Seleccione NEW RECIPE (receta nueva).

Si no se realiza ninguna entrada durante 15 segundos, la pantalla volverá a quedar en blanco.

2. Gire el dial selector para seleccionar el tiempo de cocimiento. Presione el dial para seleccionar.

La pantalla le indicará que debe seleccionar el nivel o niveles de potencia.

3. Gire el dial para seleccionar el nivel de potencia superior. Gire el dial en dirección de las manecillas del reloj para aumentar o en dirección contraria para disminuir el nivel de potencia superior. Presione el dial para seleccionar.
4. Gire el dial para seleccionar el nivel de potencia inferior. Presione para seleccionar.
5. Gire el dial para seleccionar el nivel de potencia de microonda. Presione para seleccionar.
6. Presione la tecla START/PAUSE o presione el dial selector para comenzar a cocinar.

Para sugerencias sobre el nivel de potencia o tiempo de cocimiento, utilice la guía de cocimiento, libro de recetas o las selecciones del menú predeterminado de cocimiento rápido.

Mi Receta para entrar y salvar

Agrega y guarda hasta 30 de sus recetas para cocimiento rápido o microonda, o las recetas del menú predeterminado de cocimiento rápido como una receta favorita. Una vez realizada, puede llamar rápidamente y en cualquier momento su receta favorita para cocinar la comida como a usted le gusta!

1. Presione la tecla SPEEDCOOK o MICROWAVE.
2. Gire el dial para seleccionar MY RECIPE (mi receta). Presione el dial para seleccionar.
3. Gire el dial hasta que aparezca NEW RECIPE (nueva receta). Presione el dial para seleccionar.
4. Aparecerá ENTER COOK TIME (entre el tiempo de cocimiento). Gire el dial para escoger el tiempo de cocimiento. Presione el dial para seleccionar.

La pantalla le indicará que debe seleccionar los niveles de potencia.

5. Gire el dial en dirección de las manecillas de reloj para aumentar o al contrario para disminuir el nivel de potencia superior. Presione el dial para seleccionar.

Utilice la guía de cocimiento o libro de recetas para ver sugerencias del nivel de potencia y del tiempo de cocimiento.

6. Seleccione SAVE (guardar) del resumen de la pantalla.
7. Aparecerá SPELL THE FOOD NAME (deletrear el nombre de la comida). Gire el dial hasta la primera letra de la descripción de su comida y presione el dial para seleccionar. Continúe este proceso hasta deletrear el resto del nombre. Presione la tecla START/PAUSE para guardar la receta y su nombre.

Cocción Rápida

Mi Receta cocimiento rápido personalizado (cont)

Mi Receta encontrar y utilizar

Para encontrar y utilizar las recetas guardadas:

1. Presione la tecla SPEEDCOOK o MICROWAVE.
2. Gire el dial para seleccionar MY RECIPE (mi receta).
3. Aparecerán en la pantalla los nombres de las recetas que ha guardado.
4. Gire el dial hasta que aparezca la receta que desea y presione el dial para seleccionar.
5. Presione la tecla START/PAUSE o el dial selector para comenzar el cocimiento.

Mi Receta para ajustar o cambiar

Para ajustar o cambiar las recetas guardadas: :

1. Presione los botones SPEEDCOOK (cocción rápida) o MICROWAVE (microondas).
 2. Gire el dial para seleccionar MY RECIPE (mi receta).
 3. Gire el dial hasta la receta que desea cambiar. Presione el dial para ingresar. Aparecerán las configuraciones actuales.
 4. Elija EDIT (editar).
 5. Gire el dial para ajustar el tiempo de cocción y presione el dial para ingresar.
 6. Gire el dial para cambiar los niveles de energía y presione el dial para ingresar cada nivel de energía.
 7. Gire el dial para cambiar el nombre de la receta. Presione el dial para ingresar cada cambio de letra.
 8. Presione el botón START/PAUSE (iniciar/pausa) para guardar la receta modificada.
- Para nivel de energía y sugerencias de tiempo de cocción, utilice su guía de cocción o recetario.

Mi Receta para eliminar

Para eliminar las recetas guardadas:

1. Presione la tecla SPEEDCOOK o MICROWAVE.
2. Gire el dial para seleccionar MY RECIPE (mi receta).
3. Seleccione la receta que desea eliminar.
4. Gire el dial para seleccionar DELETE (eliminar).

Lo que es normal

Tiempos de cocimiento

- Al cocinar rápido con el menú predeterminado de alimentos, podrá ver en la pantalla OPTIMIZING COOK TIME (optimizando el tiempo de cocimiento) varios segundos después de presionar STAR/PAUSE. El horno detecta automáticamente el nivel del voltaje eléctrico de su casa y ajusta el tiempo de cocimiento hacia arriba o hacia abajo para un cocimiento adecuado.

Ventiladores de Enfriamiento

- Los ventiladores se encenderán durante el cocimiento. Al final, éstos continuarán durante un tiempo corto para enfriar los componentes internos. Los ventiladores se apagarán automáticamente cuando las piezas internas del horno estén frías. La pantalla mostrará "Oven is Cooling" (el horno se está enfriando).
- Mientras el horno esté encendido el respirador emitirá un aire caliente.
- Cuando el horno está caliente el ventilador de escape se enciende automáticamente. Vea la sección del Ventilador Automático.

Luces

- Cuando el horno está encendido, la luz estará visible alrededor de la puerta o de la caja exterior.
- Las luces halógenas se opacarán y se encenderán y apagarán durante el ciclo de cocimiento rápido, algunas veces a niveles de potencia completa. Esto es normal. El horno detecta el nivel de calor y se ajusta automáticamente.

Calor del Horno

- Los ciclos de cocimiento rápido no requieren un tiempo de precalentamiento. El horno comienza a cocinar inmediatamente.
- La puerta y el interior del horno estarán muy calientes. Tenga cuidado al abrir la puerta y retirar los alimentos. Tenga cuidado del vapor que se puede salir alrededor de la puerta.
- Cuando cocine rápido no utilice recipientes ni cubiertas hechas de papel, plástico o aluminio.
- Cuando cocine por un período largo de tiempo, el horno puede reducir automáticamente los niveles de potencia para mantener el nivel apropiado de calor en el horno.

Sonidos

- Es normal escuchar durante el cocimiento chasquidos y el soplador del ventilador. El control electrónico enciende y apaga los componentes.

Interferencia

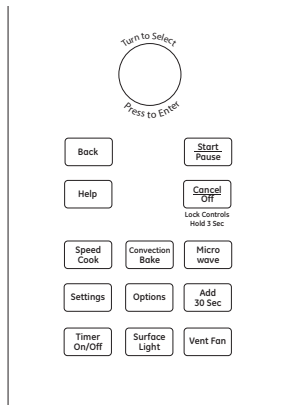
- Se puede observar interferencia de TV/radio cuando utiliza el microondas, similar a la interferencia causada por otros aparatos pequeños. Esto no indica un problema con el microondas. Mueva el radio o la TV lo más lejos posible del microondas o revise la posición de la antena de la TV/radio.

Hornear con Convección

Hornear con convección le permite cocinar los alimentos de la misma manera que un horno convencional, utiliza un elemento para calentar el aire adentro del horno. Se puede programar cualquier temperatura entre 250°F a 450°F.

El ventilador circula suavemente el aire caliente a través del horno, sobre y alrededor de los alimentos. Debido a que el aire caliente se mantiene en constante movimiento, algunos alimentos se cocinan un poco más rápido, a diferencia de los hornos de cocimiento regular.

Antes de comenzar, asegúrese que la parrilla de metal esté en su lugar. Se pueden utilizar ambas parrillas en los dos niveles de cocimiento.



⚠ PRECAUCIÓN Riesgo de quemaduras
Cuando hornee, recuerde que el horno, la puerta y los platos están muy calientes.

De acuerdo con la USDA, cocine la carne a una temperatura INTERNA de por lo menos 160°F, el pollo a una temperatura INTERNA de por lo menos 180°F. Cocinar a estas temperaturas generalmente protege contra enfermedades producidas por los alimentos. Para más información visite la página www.foodsafety.gov.



Cuando hornee o caliente en los dos niveles coloque el alimento en la bandeja de metal o en el plato apropiado y colóquelo sobre la parrilla dealambre del horno.

Cómo se Hornea con Convección

1. Presione el botón CONVECTION BAKE (hornear por convección).
2. Gire el dial para configurar la temperatura y presione el dial para ingresar
3. Presione el dial para ingresar y confirmar la selección.

Para iniciar de inmediato sin configurar un tiempo de cocción, seleccione START (iniciar) o presione el botón START/PAUSE (iniciar/pausa).

Para configurar un tiempo de cocción:

1. Gire el dial y seleccione COOK TIME (tiempo de cocción).
2. Gire el dial para configurar el tiempo de cocción y presione el dial para ingresar.
3. Para iniciar el tiempo de cocción de inmediato, coloque los alimentos en el horno y seleccione START COOK TIME (iniciar tiempo de cocción). Luego presione el dial o el botón START/PAUSE (iniciar/pausa) para iniciar. El tiempo de cocción iniciará de inmediato la cuenta regresiva.

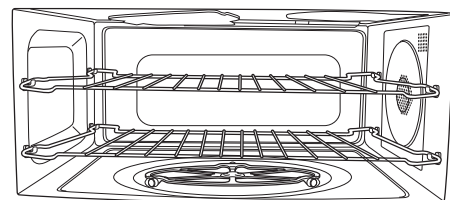
Para iniciar el tiempo de cocción después del precalentamiento, seleccione START PREHEAT (iniciar precalentamiento). El horno emitirá una señal cuando alcance la temperatura de cocción. Coloque los alimentos en el horno y presione el botón START/PAUSE (iniciar/pausa). El tiempo de cocción iniciará la cuenta regresiva.

Si la puerta del horno se abre durante la cocción, "Pause" (pausa) aparecerá en la pantalla. Cierre la puerta y presione el botón START/PAUSE (iniciar/pausa).

Los tiempos de cocción se muestran en horas y minutos y pueden configurarse hasta un máximo de 2 horas 59 minutos. El tiempo puede cambiarse durante la cocción girando el dial.

Consejos de cocimiento

- Se recomiendan panas de metal para todos los tipos de productos horneados, pero especialmente cuando es importante dorar.
- Las panas de metal oscuras o con acabado mate son mejores para panes y tartaletas, ya que absorben el calor y producen cortezas más crujientes.
- Las panas de aluminio brillante son mejores para pasteles, galletas o muffins, ya que reflejan el calor y ayudan a producir una corteza ligeramente suave.
- Las cacerolas de vidrio o de aleación de cerámica y vidrio o los platos para hornear son mejores para recetas con huevo y queso debido a la fácil limpieza del vidrio.
- Al hornear en un solo nivel, utilice el inferior. Los sujetadores superiores sólo deben utilizarse para hornear en los dos niveles.



Asar y Tostar

Asar y tostar utilizan las lámparas superiores y el calentador inferior para asar o tostar los alimentos similar al horno convencional.

Antes de comenzar asegúrese que el plato giratorio esté en su lugar. Al tostar utilice la bandeja de metal y al asar utilice la bandeja de metal o la bandeja de metal para asar



Cuando utilice el horno el plato giratorio debe estar siempre en su lugar.



Coloque los alimentos directamente en la bandeja de metal o en la bandeja de metal para asar.

⚠ PRECAUCIÓN Riesgo de quemaduras

Al asar o tostar, recuerde que la cavidad del horno, la puerta del horno y platos va a ser muy caliente!

Cómo asar

1. Presione el botón **OPTIONS** (opciones).
2. Gire el dial a **BROIL** (asar) y presione para ingresar.
3. Coloque los alimentos en el horno y seleccione **START** (iniciar) o presione el botón **START/PAUSE** (iniciar/pausa) para iniciar.

Si la puerta del horno se abre durante la cocción, "Pause" (pausa) aparecerá en la pantalla. Cierre la puerta y presione el botón **START/PAUSE** (iniciar/pausa).

Consejos de cocimiento para asar

- Los tiempos de asar pueden ser más cortos en el horno Advantium ya que utiliza lámparas halógenas. Asegúrese de monitorear de cerca los alimentos para obtener los resultados deseados.
- Para mejores resultados al asar, coloque los alimentos directamente en la bandeja de metal para asar
- Se produce humo al asar carne en el horno.
- Si precalienta el horno para asar carne, precaliente con la bandeja de metal para asar en el horno y para una mejor brasa en la carne colóquela sobre la bandeja caliente.
- Para un mejor rendimiento, cuando se asen carnes precaliente el horno durante 5 minutos. El pollo tiene mejores resultados sin precalentar el horno.
- Se deben voltear los alimentos a la mitad del tiempo de asado.
- Retire las piezas más finas, para evitar que se cocinen demasiado y que se sequen.

Cómo tostar

1. Presione el botón **OPTIONS** (opciones).
2. Gire el dial a **TOAST** (tostar) y presione para ingresar.
3. Gire el dial para configurar el tiempo de tostado, coloque los alimentos en el horno y seleccione **START** (iniciar) o presione el botón **START/PAUSE** (iniciar/pausa) para iniciar.

Si la puerta del horno se abre durante la cocción, "Pause" (pausa) aparecerá en la pantalla. Cierre la puerta y presione el botón **START/PAUSE** (iniciar/pausa)

Consejos de cocimiento para tostar

- Utilice la bandeja de metal para mejores resultados al tostar.
- No necesita darle vuelta a la mayoría de los alimentos.
- Al tostar nueves, múevalos a la mitad del tiempo de cocimiento.
- Tueste las piezas más gruesas por más tiempo, las piezas delgadas menos tiempo.

Calentar y Fermentar

Calentar

La función WARM mantendrá calientelas comidas cocinadas a temperaturas de servicio. Siempre comience con la comida caliente. Utilice recipientes y utensilios que puedan soportar temperaturas hasta 230°F.

1. Presione la opción OPTIONS (opciones).
2. Gire el dial para seleccionar WARM.Presione el dial para seleccionar
3. Gire el dial para seleccionar el nivel de humedad que desea. Vea el cuadro y consejos a continuación.Presione el dial para seleccionar.
4. Seleccione START (iniciar) o presione el botón START/PAUSE (iniciar/pausa) para iniciar. El horno comienza a calentar de inmediato e indica la cantidad de tiempo de calentamiento que se debe completar.

Si la puerta del horno se abre durante el calentamiento, "Pause" (pausa) aparecerá en la pantalla. Cierre la puerta y presione el botón START/PAUSE (iniciar/pausa).

Para hacer crujiente los alimentos viejos:

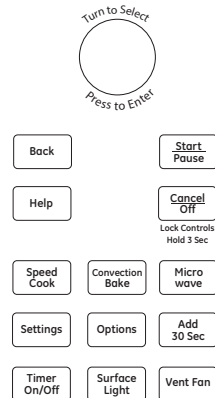
- Seleccione el ajuste de CRISP. Precaliente el horno durante 10 minutos.

NOTA: Sólo precaliente cuando desee hacer crujiente los alimentos viejos.

- Coloque la comida o los platos directamente en la bandeja de metal.
- Revise para ver si está crujiente después de 45 minutos. Si es necesario, agregue más tiempo.

Consejos para alimentos crujientes:

- No cubra los alimentos.
- No utilice recipientes plásticos ni envoltorios plásticos.
- No es necesario precalentar a menos que desee hacer crujiente alimentos viejos. (Vea Hacer crujiente los alimentos viejos))



Cuando utilice el horno el plato giratorio debe estar siempre en



Para calentar coloque los alimentos o el recipiente seguro para el horno directamente en la bandeja de metal.

Cuadro de Selección de Temperatura y Humedad

Tipo de Comida	Ajuste de Humedad
Cacerolas	Húmedo
Chili/Sopa	Húmedo
Panqueques, waffles	Húmedo
Pizza	Crujiente
Papas, horneadas	Crujiente
Papalinas/Galletas	Crujiente

Consejos para alimentos húmedos:

- Cubra los alimentos con una tapa o con papel de aluminio.
- No utilice recipientes plásticos ni envoltorios plásticos.
- No es necesario precalentar.

Fermentar

La función para fermentar suministra automáticamente la temperatura apropiada para el proceso de fermentación,por lo tanto, no necesita ajustar la temperatura.

1. Presione la opción COOKING OPTIONS (opciones de cocimiento)
 2. Gire el dial para seleccionar PROOF (leudar) y presione para ingresar.
 3. Seleccione START (iniciar) o presione el botón START/PAUSE (iniciar/pausa) para iniciar. El horno comienza a leudar de inmediato e indica la cantidad de tiempo de leudado que se debe completar.
- Para evitar bajar la temperatura del horno y prolongar el tiempo de fermentación, no abra la puerta del horno sin necesidad.

- Revise los productos de pan antes, para evitar sobrefermentarlos.

NOTAS:

- No utilice el modo de fermentación para calentar alimentos o para mantener caliente la comida. La temperatura de fermentación no es lo suficientemente caliente para mantener la comida a temperaturas seguras. Utilice la función WARM para mantener la comida caliente
- La función de fermentación no operará si el horno está demasiado caliente. Permita que el horno se enfríe antes de fermentar



Cuando utilice el horno el plato giratorio debe estar siempre en su lugar.



Para fermentar coloque la masa en un tazón/paña para pan y colóquela en la bandeja de metal

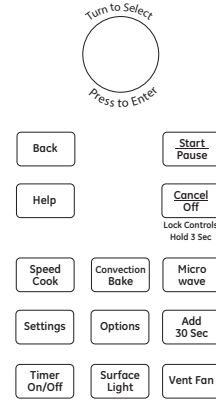
Cocinando en el Microonda

Asegúrese que el plato giratorio esté en su lugar. Utilice la bandeja de vidrio claro.

Coloque los alimentos o el recipiente para microondas directamente en la bandeja de vidrio claro, para cocinar los alimentos.

Recipientes de cocimiento

Asegúrese que todos los recipientes sean adecuados para cocinar en microondas.



Cuando utilice el horno el plato giratorio debe estar siempre en su lugar.



Cuando cocine en el microondas la bandeja de vidrio claro siempre debe estar en su lugar.

Selecciones Predeterminadas para el Microondas

<ul style="list-style-type: none"> ■ Cocimiento <ul style="list-style-type: none"> –Por tipo de comida –Por tiempo –Por tiempo 1 y 2 ■ Descongelación <ul style="list-style-type: none"> 1.0 lb rápido Por tiempo Por tipo de comida Por peso Derretir Ablandar 	<ul style="list-style-type: none"> ■ Bebidas <ul style="list-style-type: none"> Agua (8 oz) Café (8 oz) Té (8 oz) Leche (8 oz) Cocoa caliente (8 oz) ■ Palomitas de Maíz <ul style="list-style-type: none"> (2.9 a 3.5 oz) 	<ul style="list-style-type: none"> ■ Derretir <ul style="list-style-type: none"> Mantequilla Caramelo Queso Chispas de Chocolate Malaviscos ■ Cocimiento Lento ■ Ablandar <ul style="list-style-type: none"> Mantequilla Queso Crema Glaseados (16 oz) Helado 	<ul style="list-style-type: none"> ■ Recalentar <ul style="list-style-type: none"> –Bebidas –Cacerolas –Pollo –Pasta –Pizza –Plato de comida –Arroz –Sopa –Filetes/Chuletas –Vegetales
--	--	--	---

1. Presione la tecla MICROWAVE

Si no se realiza ninguna entrada durante 15 segundos, la pantalla volverá a quedar en blanco.

2. Gire el dial para seleccionar COOK (cocinar), DEFROST (descongelar), BEVERAGE (bebida), POPCORN (palomitas de maíz), MELT (derretir), REHEAT (recalentar), SIMMER (fuego lento) y SOFTEN (ablandar).

3. Gire el dial para encontrar la comida que desea cocinar, descongelar o recalentar. Presione el dial para seleccionar.

4. Gire el dial selector para seleccionar el tipo, cantidad, peso y/o tamaño, como le indique el horno. Presione el dial después de cada selección.

5. Presione el dial o el botón START/PAUSE (iniciar/pausa) para iniciar la cocción.

Presione el dial selector para revisar los ajustes durante el cocimiento.

Si abre la puerta durante el cocimiento, el horno se detendrá y la pantalla mostrará PAUSE. Cierre la puerta y presione START/PAUSE para reanudar el cocimiento.

Si entró una selección no deseada simplemente presione en cualquier momento la tecla BACK y vuelva a introducir las selecciones deseadas.

Cocinando en el Microonda

Cocimiento con tiempo

Utilice COOK BY TIME (Cocinar con tiempo) para cocinar en el microonda alimentos que no se encuentran en las selecciones predeterminadas del microondas.

1. Presione la tecla MICROWAVE.
2. Presione el dial para seleccionar COOK BY TIME (Cocinar con tiempo) y luego presiónelo para seleccionar.
3. Gire el dial para ajustar el tiempo de cocimiento y luego presiónelo para seleccionar.

4. Gire el dial para ajustar el nivel de potencia luego presiónelo para seleccionar.

5. Presione el dial o la tecla START/PAUSE para comenzar a cocinar.

Puede abrir la puerta durante el COOK BY TIME (Cocinar con tiempo) para revisar la comida. Cierre la puerta y presione START/PAUSE para reanudar el cocimiento.

Cocimiento con tiempo 1 y 2

Utilice COOK BY TIME 1&2 (Cocinar con tiempo 1 y 2) para cocinar con microonda los alimentos que requieren dos diferentes tiempos y niveles de potencia.

1. Presione la tecla MICROWAVE.
2. Gire el dial para seleccionar COOK y presiónelo para seleccionar.

3. Gire el dial para seleccionar el COOK BY TIME 1&2 (Cocimiento con tiempo 1 y 2) y presiónelo para seleccionar.

4. Gire el dial para ajustar el 1er tiempo y presiónelo para seleccionar. Repita para el 1er nivel de potencia, el 2do tiempo y el 2do nivel de potencia.

5. Presione el dial o la tecla START/PAUSE para comenzar a cocinar.

Niveles de potencia de microonda

El nivel de energía del microondas se configura automáticamente en todas las funciones del microondas pero usted puede cambiarlo por COOK BY TIME (cocinar por tiempo), COOK BY TIME 1&2 (cocinar por tiempo 1&2), MICRO 30 SEC (micro 30 seg), y DEFROST BY TIME (descongelar por tiempo).

1. Primero, siga las instrucciones para COOK BY TIME (cocinar por tiempo), COOK BY TIME 1&2 (cocinar por tiempo 1&2), MICRO 30 (micro 30), y DEFROST BY TIME (descongelar por tiempo).
2. Seleccione START (iniciar) o presione el botón START/PAUSE (iniciar/pausa) para iniciar.
3. Presione EDIT (editar) para cambiar el tiempo de cocción y luego el nivel de energía del microondas. Presione el dial

para ingresar el tiempo de cocción y los cambios al nivel de energía.

Los siguientes son algunos ejemplos de diferentes niveles de energía

High (alto) 10: Pescado, tocino, vegetales, líquidos en hervor.

MedHigh (medalto) 7: Cocción suave de carne de res y de ave; horneado de estofados y recalentamiento.

Medium (medio) 5: Para cocción lenta y para tiernizar estofados y cortes de carne menos tiernos.

Low (abajo) 2 ó 3: Descongelar, hervir a fuego lento, salsas delicadas.

Warm (tibio) 1: Mantener alimentos calientes; ablandar mantequilla.

Agregar 30 segundos

Presione ADD 30 SEC repetidamente para incrementar 30 segundos el tiempo de cocimiento en el microondas. El horno arranca inmediatamente

El nivel de potencia se ajusta automáticamente en alto, pero lo puede cambiar para mayor flexibilidad. Vea las instrucciones en la sección Niveles de Potencia del Microondas.

Mis Recetas

Vea las secciones de MY RECIPE (Mis Recetas) en la sección de Cocimiento Rápido de este libro para ver las instrucciones de cómo guardar, usar, cambiar o eliminar una receta personalizada del microonda.

Consejos de cocimiento

- Cuando cocine tocino, coloque la tiras en capas sobre el plato. Cubra cada capa con papel toalla.
- Cuando cocine vegetales, utilice una cacerola o tazón seguro para el microondas. Cúbralos con una tapa segura para el microondas o con un envoltorio plástico ventilado.
- Para vegetales congelados, agregue agua de acuerdo con las instrucciones del paquete
- Para vegetales frescos, agréguele 2 cucharadas de agua a cada porción.

Cocinando en el Microonda

Descongelar por tipo de comida

DESCONGELAR POR TIPO DE COMIDA ajusta automáticamente los tiempos y niveles de potencia de descongelación, para dar resultados más parejosa las carnes, pollo y pescado que pesan hasta 6 libras.

1. Retire la carne del empaque y colóquela en un plato seguro para el microondas. El pan debe permanecer en el empaque, pero retire los amarres de metal.
2. Presione la tecla MICROWAVE.
3. Gire el dial a DEFROST. Presione el dial para seleccionar.
4. Gire el dial para DESCONGELAR POR TIPO DE COMIDA. Presione el dial para seleccionar.
5. Presione el dial para escoger el tipo de comida. Presione el dial para seleccionar.
6. Gire el dial al peso de la comida, utilice la Guía de Conversión de la derecha. Por ejemplo, dial 1.2 para 1.2 libras (1 libra, 3 onzas). Presione el dial para seleccionar.
7. Presione el dial o la tecla START/PAUSE para comenzar a descongelar.
8. Voltee la comida cuando el horno le indique TURN FOOD OVER.

- Para una descongelación pareja retire la carne descongelada o forre las áreas tibias con pequeños pedazos de aluminio.
- Después de descongelar, la mayoría de las carnes necesitan descansar 5 minutos para completar la descongelación. Los rostizados grandes deben descansar aproximadamente 30 minutos.

Guía de Conversión

Si el peso de la comida está en libras y onzas, las onzas deben ser convertidas a la décima parte (.1) de una libra.

Weight of Food in Ounces	Enter Food Weight (tenths of a pound)
1-2	.1
3	.2
4-5	.3
6-7	.4
8	.5
9-10	.6
11	.7
12-13	.8
14-15	.9

Descogelación con tiempo

Utilice la DEFROST BY TIME (Descongelación con tiempo) para descongelar durante un tiempo seleccionado.

1. Presione la tecla MICROWAVE.
2. Gire el dial selector a DEFROST. Presione el dial para seleccionar.
3. Gire el dial selector a DEFROST BY TIME. Presione el dial para seleccionar.
4. Gire el dial selector para seleccionar el tiempo que desea. Presione el dial para seleccionar.
5. Presione el dial o la tecla START/PAUSE para comenzar a descongelar.

6. Voltee la comida cuando el horno le indique TURN FOOD OVER.

El nivel de potencia se ajuste automáticamente en 3, pero lo puede cambiar. Para cambiar los niveles de potencia, vea las instrucciones de Niveles de Potencia del Microonda.

Usted puede descongelar rápidamente pequeñas cantidades de alimentos al elevar el nivel de potencia después de entrar el tiempo. El nivel de potencia 7 acorta el tiempo total de descongelación a la mitad; el nivel de potencia 10 acorta el tiempo total en aproximadamente 1/3. Al descongelar en niveles de potencia altos, los alimentos necesitarán una frecuente atención, más de la usual y éstos se pueden cocinar un poco.

Consejos para descongelar

Utilice DEFROST BY FOOD TYPE (Descongelar por tipo de comida) para carne, pollo, pescado y pan. Utilice DEFROST BY TIME (Descongelación con tiempo) para la mayoría de las comidas congeladas.

- Las comidas congeladas en papel o plástico pueden descongelarse en el empaque cuando utiliza DEFROST BY TIME. Cuando utiliza DEFROST BY FOOD TYPE deber retirar la carne del empaque. Los paquetes cerrados deben ranurarse, pincharse o ventilarse después de que la comida esté parcialmente descongelada. Los recipientes plásticos deben estar parcialmente destapados.
- Las cenas familiares congeladas preempacadas pueden descongelarse y cocinarse en el microondas. Si la comida está en un recipiente de aluminio, transfírela a un plato seguro para el microondas.
- Las comidas que se arruinan fácilmente no deben permanecer afuera por más de una hora, después de descongelarla. La temperatura ambiente promueve el crecimiento de bacterias dañinas.
- Al descongelarse, la comida debe estar fría pero suave en todas las áreas. Si todavía tiene un poco de hielo, regrésela brevemente al microondas odéjala descansar un par de minutos.
- Al descongelar 3 o más libras de carne molida o en cubos, retire las porciones descongeladas, cuando se le indique que debe voltearlo.

Cocinando en el Microonda

Consejos para el cocimiento con sensor del microonda

El modo de microonda del horno Advantium tiene un sensor de cocimiento y recalentamiento. El horno detecta automáticamente si la comida está cocinada y se apaga el solo eliminando la necesidad de programar tiempos de cocimiento y niveles de potencia.

Las funciones con sensor detectan la humedad creciente liberada durante el cocimiento. El horno ajusta automáticamente el tiempo de cocimiento para varios tipos y cantidades de comida.

Para usar todas las funciones con sensor:

1. Presione el botón MICROWAVE (microondas).
2. Gire el dial para seleccionar COOK BY FOOD (cocinar por alimento) (ubicado debajo de COOK), REHEAT (recalentar), o SIMMER (fuego lento).
3. Gira COOK BY FOOD (cocinar por alimento) y REHEAT (recalentar), seleccione un alimento y presione el dial para ingresar. Para SIMMER (fuego lento), configure el tiempo para cocción a fuego lento después de que la sopa, salsa o estofado haya alcanzado el hervor.
4. Presione el dial o el botón START/PAUSE (iniciar/pausa) para iniciar la cocción.

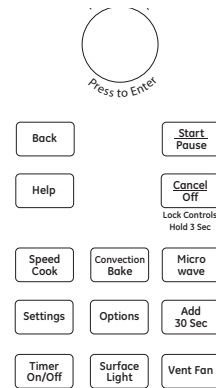
No abra la puerta del horno hasta que comience la cuenta regresiva en la pantalla. Si usted abre la puerta mientras se realiza la cocción por sensor, aparecerá en la pantalla "Sensor Error Close door and press START" (Error de sensor – Cierre la puerta y presione START). Cierre la puerta de inmediato y presione el botón START/PAUSE (iniciar/pausa) para recomenzar.

⚠️ ADVERTENCIA Riesgo de fuego

No utilice las funciones con sensor dos veces consecutivas en la misma porción de comida – se puede sobre cocinar o quemar. Si la comida está cruda después de terminar el primer tiempo, utilice TIME COOK (cocimiento con tiempo) para agregar tiempo adicional de cocimiento.

- Si usted ha estado cocinando y el horno está caliente, puede indicar que se encuentra muy caliente para cocinar por sensor. En ese caso, el horno cambiará automáticamente a cocción por tiempo y puede preguntar sobre el peso o la cantidad de alimentos

- Para acortar o prolongar el tiempo de cocción, espere a que la cuenta regresiva aparezca en la pantalla. Luego gire el dial para agregar o restar tiempo.



PROGRAMAS DE SENSOR DEL MICROONDA

- Carne molida
- Palomitas de Maíz (Palomitas de maíz en paquete para el microondas, 2.9 oz. a 3.5 oz.)
- Papa
- Arroz
- Sopa
- Vegetales (enlatados, frescos, congelados)
- Recalentar pollo
- Recalentar pasta
- Recalentar un plato de comida
- Recalentar sopa
- Recalentar vegetales
- Recalentar vegetales
- Cocimiento lento

Notas sobre el programa Reheat (recalentar):

Los alimentos recalentados pueden tener amplias variaciones de temperatura. Algunas áreas pueden estar extremadamente calientes.

Es mejor utilizar COOK BY TIME (cocinar por tiempo) y no REHEAT (recalentar) con estos alimentos:

- Productos panificados.
- Alimentos que deben recalentarse sin tapa.
- Alimentos que deben mezclarse o girarse
- Alimentos que deben quedar con aspecto o superficies crujientes después de recalentarse.

Cómo ajustar las configuraciones automáticas del horno COOK BY FOOD (cocinar por alimento) y REHEAT (recalentar) para obtener un tiempo de cocción mayor o menor (no disponible en todos los tipos de alimentos):

Para reducir los tiempos de cocción automáticos: Después de que el horno se acciona, gire el dial en sentido contrario a las agujas del reloj hasta que aparezca un signo menos ("−") o un signo menos doble ("−−") y presione el dial para ingresar. Un signo menos ("−") es una reducción del 10% del tiempo de cocción y un signo menos doble ("−−") es una reducción del 20% del tiempo de cocción.

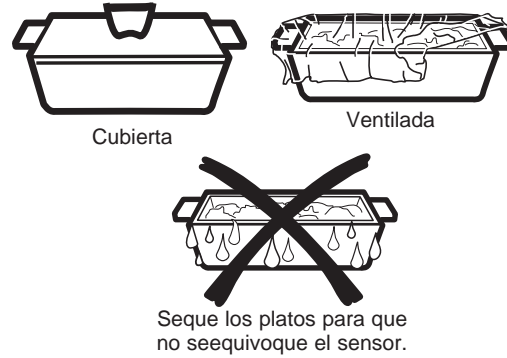
Para aumentar los tiempos de cocción automáticos: Después de que el horno se acciona, gire el dial en sentido de las agujas del reloj hasta que aparezca un signo más ("+") o un signo más doble ("++") y presione el dial para ingresar. Un signo más ("+") es un aumento del 10% del tiempo de cocción y un signo más doble ("++") es un aumento del 20% del tiempo de cocción.

Cocinando en el Microonda

Utensilio de Cocción con Sensor

Los recipientes y cubiertas adecuadas son esenciales para un mejor cocimiento con sensor.

- Siempre utilice recipientes seguros para el microondas y cúbralos con tapaderas o envoltura plástica ventilada. Nunca utilice cubiertas plásticas herméticas – ya que evitan que la humedad salga y se puede sobrecocinar la comida
- Antes de colocar la comida adentro del horno asegúrese de que el exterior de los recipientes y que el interior del horno estén secos. Las gotas de humedad que se convierten en vapor pueden engañar al sensor.
- Popcorn and Potatoes are best heated uncovered.



Lo que es normal

Interferencia

- Se puede observar interferencia de TV/radio cuando utiliza el microonda, similar a la interferencia causada por otros aparatos pequeños. Esto no indica un problema con el microonda. Mueva el radio o la TV lo más lejos posible del microonda o revise la posición de la antena de la TV/radio.

Calor del Horno

- Los recipientes se pueden calentar debido a la transferencia de calor de los alimentos calientes. Utilice guantes para manipularlos.
- El vapor se puede salir alrededor de la puerta.

Otras Funciones

Cocimiento completo

Para recordarle que hay alimentos en el horno, en la pantalla podrá verse el modo de cocción y COOKING COMPLETE (cocción completa) y se oirá un pitido una vez por minuto hasta que se abra la puerta del horno o se presione el botón CANCEL/OFF (borrar/apagado).

Repita la última función

Utilice esta función para ahorrar tiempo para alimentos que cocina repetidas veces, como galletas y aperitivos.

NOTA: El último programa que utilizóse guarda durante dos horas.

1. Presione OPTIONS (opciones) y seleccione REPEAT LAST (repita el último).

2. La pantalla mostrará el último alimento que preajustó.
3. Presione la tecla START/PAUSE o el dial selector para comenzar acocinar.

Función para Reanudar

1. Si necesita cocinar la comida por más tiempo, usted puede reiniciar el horno al presionar la tecla START/PAUSE o el dial selector.

2. La pantalla mostrará RESUME COOKING (reanudar el cocimiento) y el horno volverá a iniciar automáticamente al 10% del tiempo original.

El programa permanece en memoria durante 5 minutos. Después necesitará programar de nuevo. Vea la sección de Uso del menú predeterminado de cocimiento rápido.

Clock (reloj)

Debe programar el reloj antes de utilizar el horno por primera vez. Cuando programe el reloj por primera vez vaya directamente al paso dos.

El reloj fue diseñado para apagar la unidad cuando quede inactiva durante 30 segundos, a fin de minimizar el uso de la energía en suspensión. El reloj se encenderá cuando la unidad se encuentre en uso, la puerta sea abierta, la tecla CANCEL/OFF (Cancelar/ Apagar) sea presionada, o el dial sea presionado. No hay una opción de anulación disponible basada en los requisitos de energía DOE.

1. Para cambiar la hora del reloj, presione la tecla SETTINGS y gire el dial a CLOCK SETTINGS (ajustes del reloj). Seleccione SET TIME (la hora)
2. Gire el dial para ajustar la hora. Presione la para seleccionar. **NOTA:** Se programa AM/PM.
3. Gire el dial para ajustar los minutos. Presione el dial para seleccionar.

Auto Conversion (conversión automática)

La conversión automática reduce automáticamente la temperatura de hornear con convección. Siempre debe introducir la temperatura de la receta y el horno hará el resto.

Para cambiar el ajuste, presione la tecla SETTINGS y gire el dial a AUTO CONVERSION. Presione el dial para seleccionar. Gire el dial para cambiar los ajustes a CONVERSION ON or CONVERSION OFF (Conversión encendido o apagado). Presione el dial para seleccionar.

Beeper Volume (volumen del pito)

Utilice esta característica para ajustar el volumen del pitido. Usted también puede desactivarla.

Presione el botón SETTINGS (configuraciones), gire el dial para seleccionar BEEPER VOLUME (volumen del pitido), presione el dial para ingresar. Seleccione el volumen del pitido, presione el dial para ingresar.

Temperature Units (unidades de temperatura)

Para cambiar las unidades de temperatura, presione el botón SETTINGS (configuraciones) y seleccione TEMPERATURE UNITS (unidades de temperatura). Gire el dial para seleccionar F o C y presione el dial para ingresar.

Otras Funciones

Reminder (recordatorio)

Utilice esta función para configurar el accionamiento del sonido de una alarma en un momento específico del día.

1. Presione el botón **SETTINGS** (configuraciones), gire el dial para seleccionar **REMINDER** (recordatorio) y presione el dial para ingresar.
2. Seleccione **SET REMINDER** (configurar recordatorio) y presione el dial para ingresar.
3. Gire el dial para configurar la hora y minutos y presione el dial para ingresar. **NOTA:** La configuración de hora se hace en AM/PM.

Para desactivar el recordatorio, presione el botón **SETTINGS** (configuraciones), gire el dial para seleccionar **REMINDER** (recordatorio) y presione el dial para ingresar. Gire el dial para seleccionar **CLEAR REMINDER** (borrar recordatorio) y presione el dial para ingresar.

Para desactivar la hora del recordatorio, presione el botón **SETTINGS** (configuraciones), gire el dial para seleccionar **REMINDER** (recordatorio) y presione el dial para ingresar. Gire el dial para seleccionar **REVIEW REMINDER** (revisar recordatorio) y presione el dial para ingresar. La pantalla mostrará.

Turtable On/OFF (plato giratorio On/Off)

Utilice esta función para evitar que el plato giratorio gire cuando usa un plato demasiado grande para poder girar en la cavidad.

TURNTABLE ON/OFF (Plato Giratorio Encendido/ Apagado) se encuentra en una configuración permanente.

Presione el botón **SETTINGS** (configuraciones), gire el dial para seleccionar **TURNTABLE ON/OFF** (plato giratorio encendido/apagado) y presione el dial para ingresar. Gire el dial para seleccionar **TURNTABLE ON** (plato giratorio encendido) o **TURNTABLE OFF** (plato giratorio apagado) y luego presione el dial para ingresar.

NOTA:

- El plato giratorio no se desactiva en los modos cocción rápida, asar, tostar o sensor de microondas.
- Si se selecciona **TURNTABLE OFF** (plato giratorio apagado) durante la cocción, el plato giratorio se desactivará hasta el final de este ciclo de cocción. El plato giratorio volverá a funcionar en el próximo ciclo de cocción y si se utiliza la función **RESUME** (reanudar).
- Si se selecciona **TURNTABLE OFF** (plato giratorio apagado) antes de comenzar a cocinar, el plato giratorio permanecerá desactivado para cualquier cocción que se inicie en los próximos 5 minutos. Después de los 5 minutos, el plato giratorio volverá automáticamente a **TURNTABLE ON** (plato giratorio encendido).

Auto Night Light (luz nocturna automática)

Utilice esta función para configurar que la luz de superficie se encienda y apague a una hora determinada.

1. Presione el botón **SETTINGS** (configuraciones), gire el dial para seleccionar **AUTO NIGHT LIGHT** (luz nocturna automática) y presione el dial para ingresar.
2. Seleccione **SET ON TIME** (configurar para hora) y presione el dial para ingresar.
3. Gire el dial para configurar la hora y minutos y presione el dial para ingresar. Gire el dial para desactivar la configuración de hora y minutos y presione el dial para ingresar. Nota: La configuración de hora se hace en AM/PM.

Para desactivar la luz nocturna automática en forma permanente, presione el botón **SETTINGS** (configuraciones), gire el dial para seleccionar **AUTO NIGHT LIGHT** (luz nocturna automática) y presione el dial para ingresar. Gire el dial para seleccionar **DEACTIVATE** (desactivar) y presione el dial para ingresar.

Para desactivar la luz nocturna automática en forma permanente, presione el botón **SETTINGS** (configuraciones), gire el dial para seleccionar **AUTO NIGHT LIGHT** (luz nocturna

automática) y presione el dial para ingresar. Gire el dial para seleccionar **REVIEW ON/OFF TIMES** (revisar hora encendido/apagado) y presione el dial para ingresar. La pantalla mostrará la hora de encendido y apagado de la luz nocturna automática.

NOTA:

- Si se presiona el botón **SURFACE LIGHT** (luz de superficie) mientras se encuentra encendida la luz nocturna automática, la luz de superficie se quita de la luz nocturna automática por esa vez. El botón **SURFACE LIGHT** (luz de superficie) debe presionarse para apagar la luz de superficie. La luz nocturna automática se encenderá de nuevo en el próximo horario programado.
- Si la luz de superficie ya se encuentra encendida cuando la luz nocturna automática se encuentra programada para encenderse, la luz de superficie no utilizará las configuraciones de la luz nocturna automática. El botón **SURFACE LIGHT** (luz de superficie) debe presionarse para apagar la luz de superficie. La luz nocturna automática se encenderá de nuevo en el próximo horario programado.

Delay Start (inicio retardado)

Utilice esta función de retardo cuando el horno comienza a cocinar en **CONV BAKE** (hornear por convección), **COOK BY TIME** (cocinar por tiempo), **COOK BY TIME 1&2** (cocinar por tiempo 1&2), **DEFROST BY TIME** (descongelar por tiempo), o **DEFROST BY WEIGHT** (descongelar por peso).

1. Presione el botón **OPTIONS** (opciones).
2. Gire el dial para seleccionar **DELAY START** (inicio retardado) y presione el dial para ingresar.

3. Gire el dial para configurar la hora y minutos de la hora de inicio y presione el dial para ingresar. **NOTA:** La configuración de hora se hace en AM/PM.

4. Configure el modo de cocción.

El horno comenzará el modo de cocción programado cuando la hora actual y la hora de inicio retardado sean la misma.

Otras Funciones

Help (ayuda)

Utilice esta función para saber más acerca de su horno y sus funciones.

La pantalla le mostrará una descripción del programa que seleccionó.

1. Presione la tecla HELP.
2. Gire el dial para escoger el nombre de la función. Presione el dial para seleccionar.

Características que encontrará en la función HELP (ayuda).

Agregar tiempo	Opciones de cocimiento	Recordatorio
Conversión Automática	Descongelación	Repetir el último
Luz Nocturna Automática	Descong. por Comida	Reanudar
Regreso	Descong. con Tiempo	Cocimiento con sensor
Volumen del Pito	Descong. por Peso	Cocimiento lento
Bebidas	Inicio demorado	Ablandar
Asar	Editar	Cocimiento rápido
Borrar/Apagar	Ayuda	Inicio/PAUSA
Reloj	Derretir	Unidades de temperatura
Bloqueo del Control	Micro 30 Segs	Cronómetro On/Off
Hornear con Convección	Microonda	Tostar
Cocinar por Tipo	Mis Recetas	Plato Giratorio ON/OFF
Cocinar con Tiempo	Fermentar	Calentar
Cocinar con Tiempo 1 y 2	Recalentar	

Control Lock-Out (bloqueo del control)

Puede bloquear el panel de control para evitar que enciendan el horno accidentalmente durante la limpieza o para que no lo utilicen los niños.

Presione y sostenga durante 3 segundos la tecla CLEAR OFF para bloquear y desbloquear.

Cuando el panel de control está bloqueado, cada vez que presiona una tecla o el dial se mostrará en la pantalla CONTROL IS LOCKED (control está bloqueado).

Timer (cronómetro)

Utilice esta función cada vez que necesite un cronómetro. La puede utilizar mientras cocina en el horno.

1. Presione la tecla TIMER.
2. Gire el dial para escoger los minutos. Presiónelo para seleccionar.

3. Gire el dial para escoger los segundos. Presiónelo para seleccionar.

Para cancelar, presione la tecla TIMER (Temporizador).

Automatic Fan (ventiladores automáticos)

Los ventiladores de enfriamiento se encienden automáticamente para evitar el sobrecalentamiento de los componentes internos del horno y del control.

El ventilador del respirador se puede encender automáticamente si el horno se calienta demasiado,

aún cuando no esté funcionando. La pantalla mostrará: "Normal Operation: Fan is on due to high heat. Fan will shut off automatically." (Operación Normal. El ventilador está encendido debido al calor alto. El ventilador se apagará automáticamente.)

Surface Light (luz de superficie)

Se utiliza para iluminar la plancha.

Presione la tecla SURFACE LIGHT (luz de superficie) para cambiar de luz nocturna a luz apagada.

Vent Fan (ventilador del respirador)

El respirador del ventilador retira los vapores de la superficie de cocimiento.

Presione la tecla VENT FAN para cambiar de alto, a medio, a bajo, a apagado.

El ventilador del respirador se puede encender automáticamente si el horno se calienta demasiado, aún cuando no esté funcionando. La pantalla mostrará: "Normal Operation: Fan is on due to high heat. Fan will shut off automatically." (Operación Normal. El ventilador está encendido debido al calor alto. El ventilador se apagará automáticamente.)

Cuidado y Limpieza

Interior del horno

Antes de limpiar cualquier parte del horno asegúrese que el control del horno esté apagado y que esté frío o tibio al tacto.

Limpie el interior del horno frecuentemente para que pueda calentarse adecuadamente.

Algunas salpicaduras pueden ser removidas con papel toalla, otras requieren un paño tibio jabonoso. Remueva las salpicaduras de grasa con un paño jabonoso, luego enjuague con un paño húmedo.

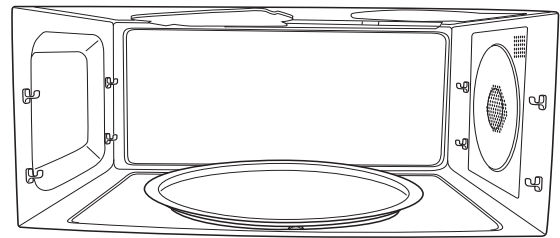
Si el sucio y las salpicaduras no salen fácilmente con un paño tibio jabonoso, coloque un tazón mediano lleno de agua adentro de la unidad, sobre la bandeja de metal y presione la tecla SPEEDCOOK. Seleccione MY RECIPES y ajuste 10 minutos a U=10, L=10, M=7, C=10. Esto debe aflojar el sucio adentro del horno de manera que lo pueda remover con un paño tibio jabonoso.

Si observa un amarillamiento en el metal adentro del horno que no puede ser removido con un paño tibio jabonoso, utilice un limpiador para acero inoxidable que remueva la decoloración por calor y/o manchas. Puede limpiar el interior del horno como lo haría normalmente.

No utilice limpiadores abrasivos ni utensilios filosos en las paredes del horno.

Nunca utilice limpiadores comerciales para hornos en ninguna parte del horno.

No limpie el interior del horno con estropajos de metal. Se pueden quebrar pedazos del estropajo adentro del horno, causando un toque eléctrico, así como daño al acabado de la superficie interior del horno.



Plato giratorio removible

El área debajo del plato giratorio debe limpiarse frecuentemente para evitar olores y humo durante el ciclo de cocimiento.

El plato giratorio se puede quebrar si lo deja caer. Lávelo con cuidado en agua tibia y jabonosa. Séquelo bien y colóquelo en su lugar.

Para colocar el plato giratorio, coloque el centro sobre el eje en el centro del horno y gírelo hasta que esté colocado en su lugar.



Plato giratorio

No utilice el horno sin el plato giratorio en su lugar.

Bandejas de cocimiento y parrilla de alambre del horno

Para evitar que se quiebren, permita que las bandejas se enfríen completamente antes de limpiarlas. Lave con cuidado en agua caliente jabonosa o en la lavadora de platos.

No utilice abrasivos para limpiar la bandeja de vidrio ni la parrilla de alambre del horno, ya que se puede dañar el acabado.

Se debe utilizar un estropajo plástico para limpiar las bandejas de metal.



Bandeja de vidrio claro



Bandeja de metal



Parrilla de alambre del horno



Bandeja de metal para asar

Lámina de mica

Para limpiar la lámina de mica:

Permita que el horno se enfríe completamente. Limpie con un paño tibio jabonoso.

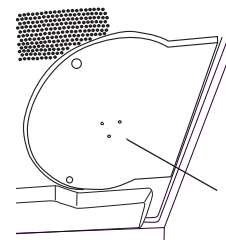


Lámina de mica

Cuidado y Limpieza

Cubierta de la lámpara halógena y lámina de mica

No retire la cubierta de vidrio de la lámpara halógena ni la lámina de mica.

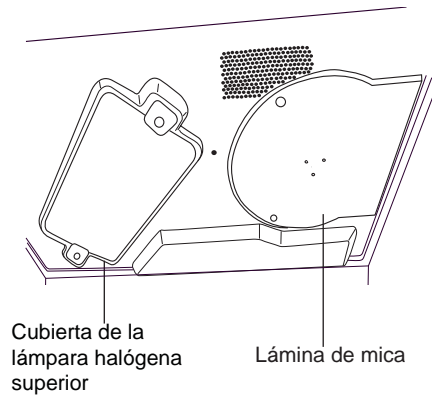
La cubierta de la lámpara halógena superior debe estar libre de grasa o de salpicaduras de alimentos, para que pueda funcionar efectivamente.

Limpie la cubierta de vidrio de la lámpara y la lámina de mica frecuente mente para evitar el exceso de humo y la disminución de la potencia de cocimiento.

Para limpiar la cubierta de la lámpara superior: Permita que el horno y la cubierta de vidrio se enfríen completamente. Límpiela con un paño ti jabonoso o con un estropajo plástico.

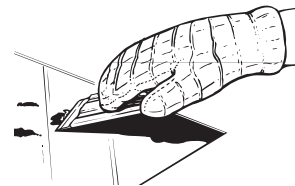
Para sucio quemado, puede utilizar un raspador para limpiar la cubierta de la lámpara halógena. Sostenga el raspador a un ángulo de 30°. Raspe el vidrio para limpiarlo y limpie el exceso de sucio.

Para limpiar la lámina de mica: Permita que el horno se enfríe completamente. Limpie con un paño tibio jabonoso.



Cubierta de la lámpara halógena superior

Lámina de mica



Para suciedad pesada o quemada

Exterior del horno

No recomendamos el uso de limpiadores con amoníaco o alcohol, ya que pueden dañar la apariencia del horno. Si escoge utilizar un limpiador casero común, aplique primero el limpiador directamente en el paño de limpieza, luego limpie el área sucia.

Caja

Limpie el exterior del microonda con un paño jabonoso. Enjuague y seque. Limpie el vidrio con un paño húmeda.

Panel de Control

Limpie con un paño húmedo. Seque completamente. No utilice limpiadores en espray, grandes cantidades de jabón y agua, abrasivos u objetos filosos en el panel estos lo pueden dañar. Algunos tipos de papel toalla también pueden rayar el panel de control.

Superficies de Acero Inoxidable (en algunos modelos)

Puede limpiar el panel de acero inoxidable con Stainless Steel Magic o un producto similar, con un paño limpio y suave. Aplique con cuidado el limpiador de acero inoxidable, evite las piezas plásticas y de vidrio de alrededor. No utilice en el acero inoxidable cera para aparatos, pastas, blanqueadores o productos que contengan cloro.

Paneles Plásticos de Color (en algunos modelos)

Utilice un paño limpio, suave, ligeramente humedecido, luego seque completamente.

Sello de la Puerta

Es importante mantener limpia el área donde sella la puerta con el horno. Utilice detergentes suaves, no abrasivos aplicados con un paño o esponja. Enjuague bien.

Parte Inferior

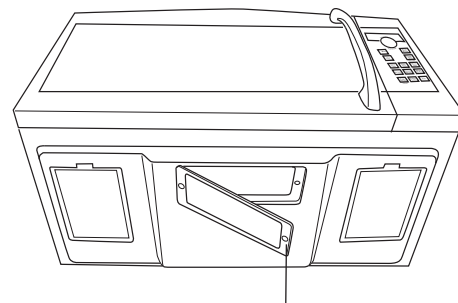
Limpie regularmente la grasa y el polvo de la parte de abajo. Utilice una solución de agua tibia con detergente.

Cómo reemplazar la luz de superficie

1. Para cambiar la luz de superficie, primero desconecte la energía en el fusible principal o panel del interruptor automático.
2. Retire el tornillo del interior de la cubierta del compartimiento de la luz y bájela hasta que se detenga.
3. Antes de retirar el bombillo que va a cambiar, asegúrese que esté frío. Hálo suavemente del receptáculo

Cámbielo por un bombillo halógeno de 130 voltios, 50watts. Ordene el bombillo WB08X10051 de su distribuidor GE Appliances.

4. Levante la cubierta y coloque el tornillo. Conecte la electricidad al horno.



Retire el tornillo

Cuidado y Limpieza

Retiro y limpieza de los filtros

1. Los filtros de metal atrapan la grasa que sueltan los alimentos en la plancha. También evitan que las llamas de los alimentos en la plancha dañen el interior del horno.
2. Por esta razón, los filtros deben estar colocados en su lugar siempre que utiliza el extractor. Los filtros del respirador deben limpiarse una vez al meso cuando sea necesario.
3. Para retirarlos, utilice las orejetas para deslizarlos hacia la parte de atrás. Hale hacia abajo y hacia afuera.
4. Para limpiar los filtros del respirador, remójelos y luego sacúdalos en agua caliente y jabón. No utilice amoníaco ni

- productos con amoníaco ya que pueden oscurecer el metal. Lo puede cepillar suavemente para remover el sucio pegado.
5. Antes de colocarlos enjuáguelos, sacúdalos y déjelos secar.
 6. Para colocarlos, deslice los filtros adentro de las ranuras del marco en la parte de atrás de cada abertura. Presione hacia arriba y hacia el frente para cerrarlos en su lugar.

Cómo reemplazar la luz de la cavidad

1. Desconecte la energía en el fusible principal o panel del interruptor automático.
2. Retire la parrilla superior, retire los dos tornillos que la sostienen en su lugar.
3. Retire el filtro de carbón, si lo tiene. Deslícelo hacia la izquierda y hálelo hacia el frente para retirarlo. NOTA: El filtro de carbón es un kit opcional, no es necesario tenerlo.
4. Retire el tornillo que sostiene el protector de la lámpara en su lugar.

5. Saque el protector de la lámpara. Hale el bombillo afuera y cámbielo por una lámpara de horno de 120V/130V, 20W. Ordene el bombillo WB25X10019 de su distribuidor GE Appliances.
6. Regrese la lámpara y el protector a su posición original y coloque el tornillo y el filtro de carbón.
7. Coloque la parrilla y los 2 tornillos. Reconecte la energía al horno.

Filtro de carbón (JX81D kit opcional)

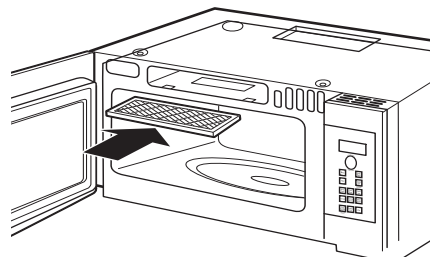
Si el modelo no está ventilado hacia el exterior, el aire recirculará a través del filtro de carbón desechable, el cual ayuda a retirar el humo y los olores.

El filtro de carbón no se puede limpiar, debe ser cambiado. Ordene la Pieza No. JX81D - WB02X10943 de su distribuidor GE Appliances.

El filtro de carbón debe cambiarse cuando lo vea sucio o decolorado (generalmente de 6 a 12 meses, dependiendo del uso).

Para instalar un filtro nuevo:

1. Retire del filtro nuevo el plástico y el otro envoltorio exterior.
 2. Retire la parrilla superior, para eso debe retirar los dos tornillos que la sostienen en su lugar.
 3. Inserte el filtro adentro de la abertura superior del horno, como se muestra.
 4. Descansará en un ángulo sobre las dos orejetas de soporte traseras y por el frente por dos orejetas.
 5. Coloque la parrilla y los dos tornillos.
- Para retirar el filtro, repita el paso 2 anterior, retire el filtro y repita el paso 5.



Consejos para la Solución de Problemas... Antes de solicitar el servicio técnico

¡Ahorre tiempo y dinero! Primero revise los cuadros que aparecen en las siguientes páginas y es posible que no necesite solicitar reparaciones.

Problema	Causas Posibles	Qué se debe hacer / Explicación
LUCES		
Se opaca la luz durante un ciclo de cocimiento rápido y se enciende y apaga, aún en niveles de potencia completa.	Esto es normal. El nivel de potencia ha sido reducido automáticamente ya que el horno está caliente.	Esto es normal. El horno detecta el nivel de calor y se ajusta automáticamente.
Luz visible alrededor de la puerta y de la caja exterior al cocinar rápido.	Esto es normal.	Cuando el horno está encendido, hay una luz visible alrededor de la puerta y de la caja exterior.
VENTILADOR		
El ventilador continúa funcionando después de terminar de cocinar	El horno se está enfriando.	El ventilador se apagará automáticamente las piezas internas del horno se hayan enfriado.
El respirador del horno emite un aire caliente mientras el horno está encendido.	Esto es normal.	
El ventilador del respirador se enciende automáticamente cuando horno no está en so.	Esto es normal.	Si la plancha o el horno se calientan, el ventilador del respirador se enciende. (Vea la sección Ventilador el el Automático)
El ventilador se enciende automáticamente detectará que cuando ventilador micronda.	Esto es normal.	Si se utiliza el horno después de cocimiento rápido, el horno está demasiado caliente, el se utiliza el se del respirador se encenderá para friar el horno.
El horno hace sonidos inusuales al cocinar.	Chasquidos y el ventilador soplando son sonidos normales. El relé del tablero está encendiendo y apagando los componentes.	Estos sonidos son normales.
El sonido del ventilador cambia al cocinar.	Esto es normal.	El ventilador se enciende y apaga durante el cocimiento para mantener la temperatura.
COCIMIENTO		
Sale humo del horno cuando se abre la puerta.	La comida tiene alto conte nido de grasa. Se utilizó espray en las panas.	El humo es normal al cocinar comidas con mucha grasa. Utilice aceite vegetal o de oliva en la carne, en lugar de cubrir toda la pana.
Al final del programa de cocimiento la comida no está cocida ni dorada.	Los tiempos programados no concuerdan con el tamaño ni la cantidad de comida que va a cocinar.	Aumente o disminuya el tiempo para cocinar o ajuste las lámparas superior e completamente inferior para dorar.
El horno se apagó en Warm (Caliente), Proof (Prueba), o Convection Bake (Horneado por Convección)	El tiempo máximo de cocción de 179 minutos fue alcanzado.	Esto es normal. El control apagará de forma automática el horno e indicará que el tiempo de cocción fue alcanzado. El tiempo de cocción no siempre es exhibido.
	Se configuró un tiempo de cocción para que Convection Bake (Horneado por Convección) comience luego del precalentamiento y la puerta no se abrió al finalizar el precalentamiento.	Esto es normal. El control apagará el horno de forma automática luego de una hora e indicará que la cocción está completa si la puerta no está abierta.
DISPLAY		
La pantalla está en blanco.		El reloj fue diseñado para apagar la unidad cuando quede inactiva durante 30 segundos, a fin de minimizar el uso de la energía en suspensión. (Consulte la sección del Reloj)
Aparece en la pantalla Panel LOCKED”	El control está bloqueado.	Presione y sostenga CLEAR/OFF “Control durante 3 segundos para desbloquear el control. Vea la sección Otras Funciones.

Problema	Causas Posibles	Qué se debe hacer / Explicación
La pantalla del control está encendida pero el horno no arranca.	El reloj no está programado.	Siga las instrucciones para programar el reloj.
	La puerta no está cerrada.	Abra la puerta y ciérrela segura.
	La tecla START/PAUSE (Iniciar/Pausar) no se presionó luego de ingresar la configuración de la cocción.	Siga las instrucciones
	Se seleccionó accidentalmente el Inicio Demorado.	Presione CANCEL/OFF y vuelva a ajustar.
	El horno está en el modo de demostración.	Desenchufe el horno por 1 minuto, luego enchúfelo en la pared. NO programe el reloj. Presione y sostenga durante 3 segundos las teclas HELP y START/PAUSE. El control debe salir del modo de demostración. Programe el reloj y continúe.
	Se presionó accidentalmente CANCEL/OFF	Reajuste el programa de cocimiento y presione START/PAUSE.
OTROS PROBLEMAS		
La puerta y el interior del horno se sienten caliente.	El horno produce un calor intenso en espacios pequeños.	Esto es normal. Cuando la comida esté lista, utilice guantes para retirarla.
El piso del horno está tibio, aún cuando no ha sido utilizado.	La luz de la plancha está ubicada debajo del piso del horno. Cuando se enciende, el calor que produce puede calentar el piso del horno.	Esto es normal.
El horno no arranca	Se pudo haber quemado un fusible o disparado el interruptor automático de su casa.	Cambie el fusible o reajuste el interruptor automático.
	Sobrevoltaje	Desenchufe el horno y enchúfelo de nuevo.
	El enchufe no está completamente insertado en el enchufe de la pared.	Asegúrese que el enchufe del horno esté completamente insertado en el enchufe de la pared.
La bandeja de vidrio del microondas no se traba en el eje central.		Alinee los salientes en la parte de abajo de la bandeja de vidrio para el microondas con las indentaciones en el plato giratorio. Este ajuste no queda apretado, es normal algo de movimiento.

DECLARACIÓN DE INTERFERENCIA POR RADIOFRECUENCIA DE LA FEDERAL COMMUNICATIONS COMMISSION (COMISIÓN FEDERAL DE COMUNICACIONES) (EE.UU. ÚNICAMENTE)

Este equipamiento genera y utiliza energía de frecuencia ISM y si no es instalado y usado de forma adecuada, estando en estricto cumplimiento con las instrucciones del fabricante, podrá generar interferencia en la recepción de radio y televisión. Fue evaluado de forma específica y se comprobó que cumple con los límites de Equipamientos ISM, de acuerdo con la parte 18 de las Reglas de la FCC, que fueron diseñadas para brindar una instalación residencial.

Sin embargo, no se garantiza que no se presenten interferencias en una instalación en particular. Si este equipamiento genera interferencias en la recepción de radio o televisión, lo que se puede comprobar encendiendo y apagando el equipo, se aconseja al usuario que intente corregir la interferencia a través de una de las siguientes medidas:

- Reoriente la antena receptora de la radio o el televisor.
- Reubique el Horno Microondas en relación al receptor.
- Aleje el horno microondas de la posición del receptor.
- Enchufe el horno microondas en un tomacorriente diferente, de modo que el horno microondas y el receptor estén en diferentes recepciones de códigos.

El fabricante no es responsable por ninguna interferencia de radio o TV generada por modificaciones no autorizadas sobre este horno microondas. Es responsabilidad del usuario corregir tales interferencias.

Garantía del horno Advantium

GEAppliances.com

Todo el servicio de garantía es provisto por nuestros Centros de Servicio de Fabricación, o un técnico autorizado de Customer Care®. Para programar una visita del servicio técnico a través de Internet, visítenos en www.geappliances.com/service_and_support/, o llame al 800.GE.CARES (800.432.2737). Cuando llame para solicitar el servicio, tenga los números de serie y modelo disponibles.

Por el período de	GE Appliances Reemplazará:
Un año Desde la fecha de compra original	Cualquier parte del horno que falle debido a un defecto en los materiales o mano de obra. Durante esta garantía limitada de un año , GE Appliances también proveerá, gratis, toda la mano de obra y servicio relacionado para reemplazar la pieza defectuosa.

Lo que GE Appliances no cubrirá:

- Visitas de servicio a domicilio para enseñarle a utilizar este producto.
- Instalación, entrega o mantenimiento inadecuados.
- Producto no accesible para facilitar el servicio requerido.
- Fallos del producto si hay abuso, mal uso (por ejemplo, chispas dentro de horno microondas del estante metálico/papel de aluminio), o uso para otros propósitos que los propuestos, o si se usa con fines comerciales.
- Reemplazo de fusibles del hogar o reinicialización de interruptores de circuitos.
- Reemplazo de bombillas de la luz de la estufa.
- Daños ocasionados al producto por motivo de accidente, incendio, inundaciones o actos fortuitos.
- Daños incidentales o indirectos causados por posibles defectos de este aparato.
- Daños causados después de la entrega.

EXCLUSIÓN DE GARANTÍAS IMPLÍCITAS

Su única y exclusiva alternativa es la reparación del producto, como se indica en la Garantía Limitada. Las garantías implícitas, incluyendo garantías implícitas de comerciabilidad o conveniencia sobre un propósito particular, se limitan a un año o al período más corto permitido por la ley.

Esta garantía se extiende al comprador original y a cualquier dueño subsiguiente de productos comprados para uso hogareño dentro de EE.UU. Si el producto está en un área donde no se encuentra disponible un Proveedor Autorizado del Servicio Técnico de GE Appliances, usted será responsable por el costo de un viaje o se podrá requerir que traiga el producto a una ubicación del Servicio Técnico de GE Appliances autorizado para recibir el servicio. En Alaska, la garantía excluye el costo de envío o llamadas del servicio a su hogar.

Algunos estados no permiten la exclusión o limitación de daños fortuitos o consecuentes. Esta garantía le da derechos legales específicos y es posible que tenga otros derechos legales que varían entre un estado y otro. Para conocer cuáles son sus derechos legales, consulte a la oficina de asuntos del consumidor local o estatal o al Fiscal de su estado.

Garante: GE Appliances, a Haier company

Abroche su recibo aquí. Para acceder al servicio técnico de acuerdo con la garantía deberá contar con la prueba de la fecha original de compra.

Kits opcionales

Disponible en su distribuidor GE Appliances, a un costo adicional:

Kits de paneles de relleno:

- JX36BSS - Acero Inoxidable
- JX36BES - Loza
- JX36BWW - Blanco
- JX36BBB - Negro
- JX36BDS-Pizarra Oscuro
- X36BTS - Acero Inoxidable Negro

Al colocar un extractor de estufa de 36", los kits de paneles rellenan el ancho adicional para darle una apariencia empotrada personalizada.

Solamente para una instalación entre los gabinetes; no son para instalaciones al final de los gabinetes.

Cada kit contiene: dos paneles de relleno de 3" de ancho.

Kit de Montaje

- JX15BUMPBB

Use los mismos al instalar el horno microondas con gabinetes con una profundidad de 15". El kit de montaje permitirá que el horno microondas sea instalado de modo tal que los agujeros de la ventilación en la parte superior frontal de los electrodomésticos no queden bloqueados.

Kits de Filtros

- JX81D—Kit de Filtro de Carbón para Recirculación

Los kits de filtros son utilizados cuando el horno no puede ser ventilado hacia el exterior.

Vea la cubierta trasera para ordenar por teléfono o en GEAppliances.com.

Soporte para el Consumidor

Sitio Web de GE Appliances

¿Desea realizar una consulta o necesita ayuda con su electrodoméstico? ¡Intente a través del Sitio Web de GE Appliances las 24 horas del día, cualquier día del año! Usted también puede comprar más electrodomésticos maravillosos de GE Appliances y aprovechar todos nuestros servicios de soporte a través de Internet, diseñados para su conveniencia.

En EE.UU.: GEAppliances.com

Registre su Electrodoméstico

¡Registre su electrodoméstico nuevo a través de Internet, según su conveniencia! Un registro puntual de su producto permitirá una mejor comunicación y un servicio más puntual de acuerdo con los términos de su garantía, en caso de surgir la necesidad. También puede enviar una carta en la tarjeta de inscripción preimpresa que se incluye con el material embalado.

En EE.UU.: GEAppliances.com/register

Servicio Programado

El servicio de reparación de expertos de GE Appliances está a sólo un paso de su puerta. Conéctese a través de Internet y programe su servicio a su conveniencia cualquier día del año. En EE.UU.: GEAppliances.com/ge/service-and-support/service.htm o comuníquese al 800.432.2737 durante el horario de atención comercial.

Garantías Extendidas

Adquiera una garantía extendida de GE Appliances y conozca los descuentos especiales que están disponibles mientras su garantía aún está vigente. La puede adquirir en cualquier momento a través de Internet. Los servicios de GE Appliances aún estarán allí cuando su garantía caduque.

En EE.UU.: GEAppliances.com/ge/service-and-support/shop-for-extended-service-plans.htm

o comuníquese al 800.626.2224 durante el horario de atención comercial.

Conectividad Remota

Para solicitar asistencia para la conectividad de red inalámbrica (para modelos con acceso remoto), visite nuestro sitio web en GEAppliances.com/ge/connected-appliances/ o comuníquese al 800.220.6899 en EE.UU.

Piezas y Accesorios

Aquellos individuos calificados para realizar el servicio técnico de sus propios electrodomésticos podrán solicitar el envío de piezas o accesorios directamente a sus hogares (se aceptan las tarjetas VISA, MasterCard y Discover). Ordene hoy a través de Internet durante las 24 horas, todos los días. En EE.UU.: GEApplianceparts.com o de forma telefónica al 877.959.8688 durante el horario de atención comercial.

Las instrucciones que figuran en este manual cubren los procedimientos que serán realizados por cualquier usuario. Otros servicios técnicos generalmente deben ser derivados a personal calificado del servicio. Se deberá tener cuidado, ya que una reparación indebida podrá hacer que el funcionamiento no sea seguro.

Contáctenos

Si no se encuentra satisfecho con el servicio que recibió de GE Appliances, comuníquese con nosotros a través de nuestro sitio Web con todos los detalles, incluyendo su número telefónico, o escriba a:

En EE.UU.: General Manager, Customer Relations | GE Appliances, Appliance Park | Louisville, KY 40225

GEAppliances.com/ge/service-and-support/contact.htm
