

Café™ 2.1 Cu. Ft. Over-the-Range Microwave Oven

CVM721M2NS5

CAFÉ

DISTINCT BY DESIGN™



FEATURES & BENEFITS

Enjoy total control in the kitchen and beyond - Control your oven with your smart device or simply your voice using WiFi Connect

Achieve gourmet results with just a scan - Delegate simple cooking tasks to family members with Scan-to-Cook Technology. With just the scan of a barcode, the microwave automatically adjusts cook settings based on package instructions.

Create a streamlined cooking experience - Simplify your cooking steps by using Chef Connect to automatically activate vents and surface lights when a range element is turned on, as well as sync your microwave and range clocks

A simple and smart addition to your culinary repertoire - Fresh vegetables and rice are perfectly prepared with a steam cook button that simplifies the entire process

Say goodbye to guesswork - Enjoy consistently delicious results with sensor cooking controls that automatically adjust the time and power

Brighten up the room - Illuminate the entire cooking surface with crisp, clear LED cooktop lighting that can also save on energy costs

Sparkling clean with just a wipe - Focus on the food and forget the mess knowing that the easy-clean enamel interior with steam clean lets you swiftly wipe away spills and splatters

Like a breath of fresh air - Keep your kitchen ready for guests with a three-speed, 400-CFM venting system that removes smoke, grease, odors and moisture

A subtle reminder for filter replacement - Keep your kitchen smelling fresh and clean with an upfront charcoal filter with indicator light that lets you know when the filter needs to be replaced

More room for more food - Entertaining unexpected guests is easy with the 2.1 cu. ft. capacity that helps prepare a large amount of food quickly

APPEARANCE

Case Color	Gray
Color Appearance	Platinum
Door Color	Stainless Steel
Handle	Pocket
Installation	Easy Mount
Oven Door Features	Oven Window

FEATURES

Control Type	Glass Touch
Electronic Digital Display with Clock	Scrolling (LED with icons)
Cooking Modes	Microwave
Cooking Technology	Microwave
Style	Over-The-Range
Cooktop Lighting	High/Low/Off
Exhaust Fan	4-Speed; 400-CFM
Interior Oven Light	LED
Power Levels	10
Program Cooking	Yes (Option Pad)
Sound Volume Control	Yes
Turntable	Glass
Turntable On / Off	Yes
Turntable Size	14.25 in
Microwave Sensor Cooking Controls	Auto Cook; Popcorn; Reheat; Potato; Defrost; Steam Cook
Control Features	Add 30 Seconds; Cancel/Off; Start/Pause; Lock Controls; Settings; Power Level; Timer On/Off; Vent Fan; Surface Light; Set Clock; Chef Connect
Microwave Oven Interior	Easy Clean Interior
Microwave Watts (IEC-705)	1050 W
WiFi Connect	Built-In

CAPACITY

Total Capacity (cubic feet)	2.1 cu ft
Vent CFM	400

ECONOMICAL/QUIET

Non-Vented	Optional - Filter Kit Included
Venting Type	Externally Vented

TECHNICAL DETAILS

Electrical Input - 120V Amperage	15.0
Electrical Input - 120V Watts	1700
Input Volts/Hertz	120/60

ACCESSORIES

Recirculating Charcoal Filter Kit	JX81L (Included)
-----------------------------------	------------------

WEIGHTS & DIMENSIONS

Approximate Shipping Weight	65 lb
Cabinet Width	29-3/4 in
Cavity (W x H x D)	23-5/32 x 10-5/32 x 15-3/16
Net Weight	58 lb
Overall Depth	16-5/32 in
Overall Height	17-5/16 in
Overall Width	29-15/16 in

WARRANTY

Parts Warranty	Limited 1-year entire appliance
Labor Warranty	Limited 1-year entire appliance
Warranty Notes	See written warranty for full details

Café™ 2.1 Cu. Ft. Over-the-Range Microwave Oven

CVM721M2NS5

CAFÉ

DISTINCT BY DESIGN™

DIMENSIONS AND INSTALLATION INFORMATION (IN INCHES)

Note: Requires 120V grounded outlet. Electrical receptacle must be located in cabinet above microwave oven. No additional wiring, venting or cabinet rebuilding necessary in many cases. Complete detailed, easy-to-follow installation instructions and convenient full-size templates are packed with the microwave oven.

Important Information: When installing the microwave oven over a range, allow minimum of 2" from bottom of microwave oven to top of range backguard to allow for removal of light covers.

Ventilation Options: The microwave ovens are designed for adaptation to the following three types of ventilation:

- Outside exhaust (vertical – as shown)
- Outside exhaust (horizontal)
- Recirculating (non-vented ductless – see Filter Kit drawing)

Installation Information: This information is not intended to be used for installing unit described. Before installing, consult installation instructions packed with product/kit for current dimensional data.

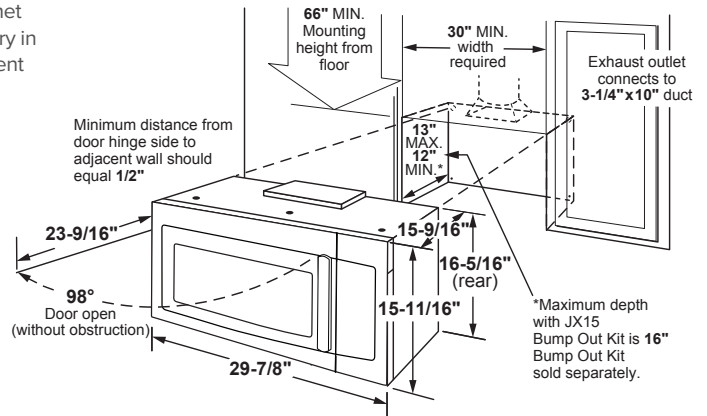
Hood Exhaust Duct: Outside ventilation requires a HOOD EXHAUST DUCT. Read the following carefully.

Exhaust Connection: The hood exhaust has been designed to mate with a standard 3-1/4" x 10" rectangular duct. If a round duct is required, a rectangular-to-round transition adaptor must be used. Do not use less than a 6" diameter duct.

Rear Exhaust: If a rear or horizontal exhaust is to be used, care should be taken to align exhaust with space between studs, or wall should be prepared at the time it is constructed by leaving enough space between the wall studs to accommodate exhaust.

Maximum Duct Length: For satisfactory air movement, the total duct length of 3-1/4" x 10" rectangular or 6" diameter round duct should not exceed 140 equivalent feet.

Elbows, Transitions, Wall and Roof Caps, etc., present additional resistance to airflow and are equivalent to a section of straight duct which is longer than their actual physical size. When calculating the total duct length, add the equivalent length of all transitions and adaptors plus the lengths of all straight duct sections. The chart below shows the approximate feet of equivalent length of some typical ducts.



DUCT	EQUIVALENT FEET
A. Rectangular-To-round Transition Adaptor	5 ft.
B. Wall Cap	40 ft.
C. 90° Elbow	10 ft.
D. 45° Elbow	5 ft.
E. 90° Elbow	25 ft.
F. 45° Elbow	5 ft.
G. Roof Cap	24 ft.

OPTIONAL ACCESSORIES (AVAILABLE AT ADDITIONAL COST)

Filter Kit JX81H—Recirculating Charcoal Filter Kit To be used when the microwave oven cannot be vented to the outside.

