

JGS760BP/DP/EP/SP/FP

GE® 30" Slide-In Front-Control Convection Gas Range with No Preheat Air Fry

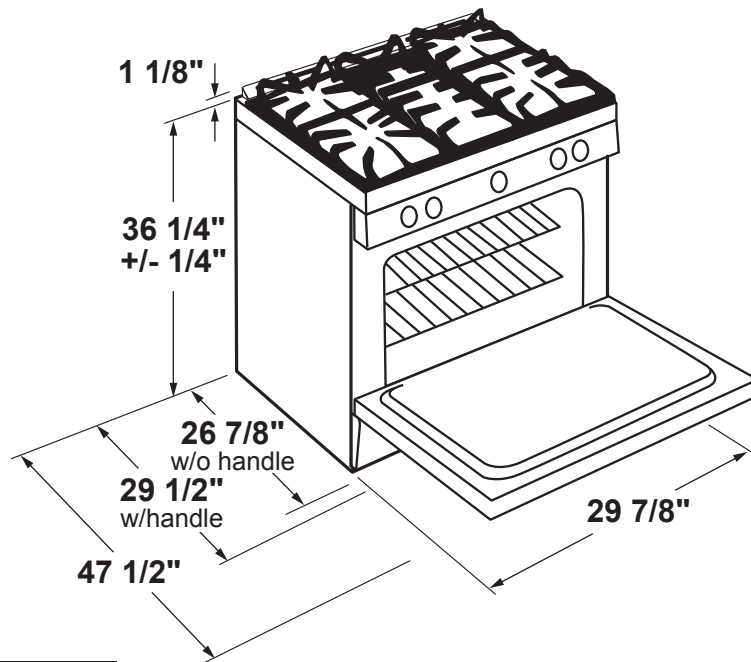
DIMENSIONS AND INSTALLATION INFORMATION (IN INCHES)

NOTE: Door handle protrudes 3" from door face.
Cabinets and drawers on adjacent 45° and 90° walls should be placed to avoid interference with the handle.

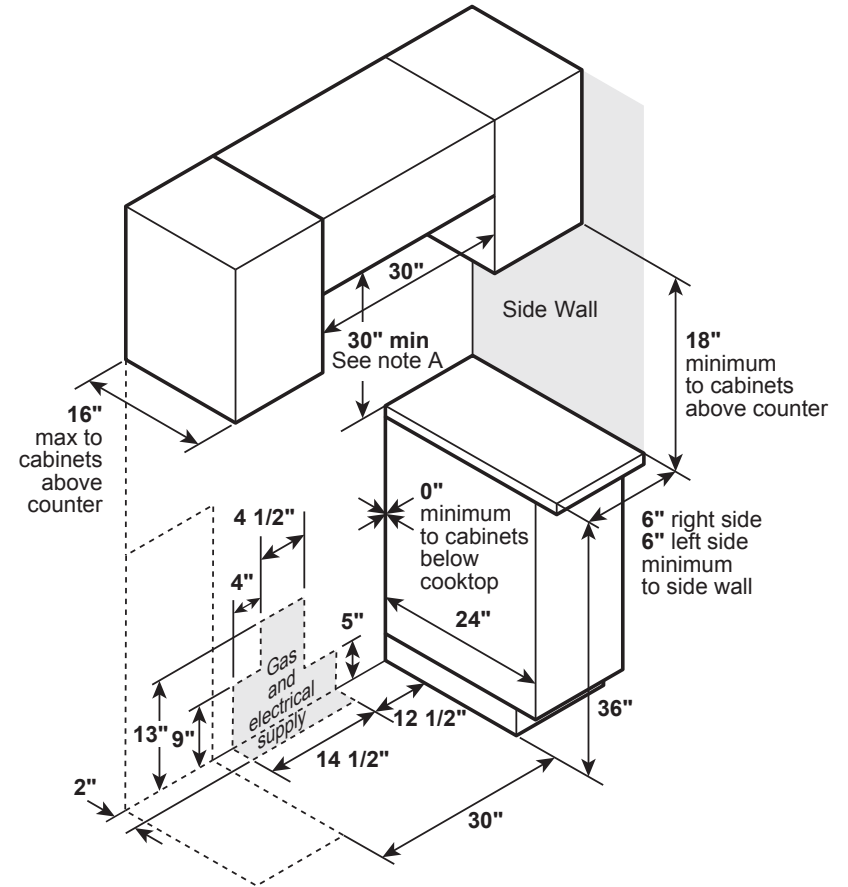
NOTE: Cabinets installed adjacent to slide-in ranges must have an adhesion spec of at least 194° temperature rating.

INSTALLATION INFORMATION: Before installing, consult installation instructions packed with product for current dimensional data.

For all installations, install the required rear trim to back of range with 4 screws provided.



GAS PIPE AND ELECTRICAL OUTLET LOCATIONS



Note A: 30" Minimum to bare cabinet, see installation instructions heights less than 30"



For answers to your Monogram, GE Café™, GE Profile™ or GE Appliances product questions, visit our website at geappliances.com or call GE Answer Center® Service, 800.626.2000.



All GE ranges are equipped with an Anti-Tip device. The installation of this device is an important, required step in the installation of the range.

JGS760BP/DP/EP/SP/FP

GE® 30" Slide-In Front-Control Convection Gas Range with No Preheat Air Fry

FEATURES AND BENEFITS

Built-In WiFi, Powered by SmartHQ App – Connect, Control and Manage your oven from anywhere with your smartphone or tablet or your voice assistant.

No Preheat Air Fry – With this air fryer right in the oven, you can cook healthier, crispier versions of your favorite foods. There's no preheat required and it shortens the cook time because every minute counts.

Edge-to-Edge Cooktop – A large, continuous cooking surface gives you extra room for pots and pans of all sizes and lets cookware move easily from burner to burner.

Extra-Large, Integrated, Non-Stick Griddle – Cook up to six grilled cheeses at once on the industry's largest integrated griddle.

18,000-BTU Power Boil Burner – Prepare your favorite pasta dishes faster by boiling water in less time.

Gas Convection – Evenly bake foods like roasts and cookies with this helpful feature that uses a fan to circulate heated air.

Self-Clean with Steam Clean Option – Clean your oven the way you want.

Smooth-Glide Storage Drawer – Drawer opens and closes easily for instant access and extra storage.

10,000-BTU Oval Burner – Large oval fifth burner is ideal for griddle or odd-size cookware.

Heavy-Duty, Dishwasher-Safe Grates – Easily and safely clean grates in the dishwasher or place in the bottom of the self-clean oven.

Precise Simmer Burner – Delicate foods don't burn with low, even heat.

Sabbath Mode Enhanced – The Shabbos Keeper* connects to your range to automatically enable Shabbos compatible modes each week and before every holiday.

Model JGS760BPTS – Black stainless

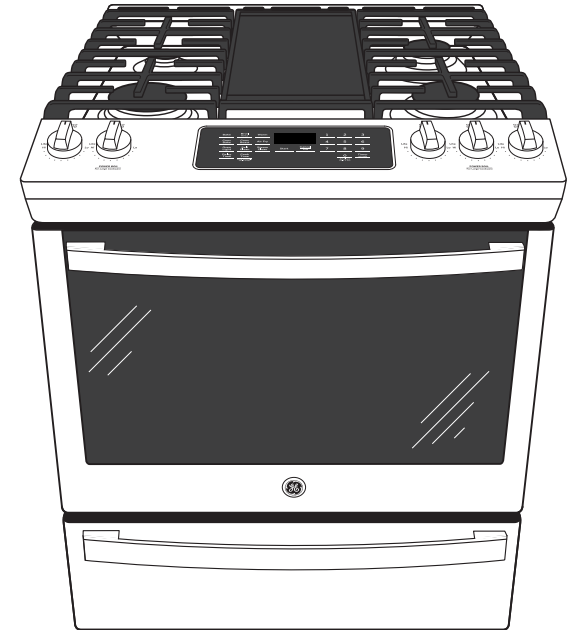
Model JGS760DPBB – Black on black

Model JGS760DPWW – White on white

Model JGS760EPES – Slate

Model JGS760SPSS – Stainless steel

Model JGS760FPDS – Black Slate



GUARANTEED FIT

Replace your old 30" free-standing range with a new 30" slide-in model. GE slide-in ranges are guaranteed for an exact fit or GE Appliances will pay up to \$300 toward modifications.

Visit geappliances.com for more info.



*Purchase of Shabbos Keeper required for OU certification and Sabbath Mode Enhanced feature.

Specification Revised 9/21