

# JGSS61SP

## GE® 30" Slide-In Front Control Gas Range

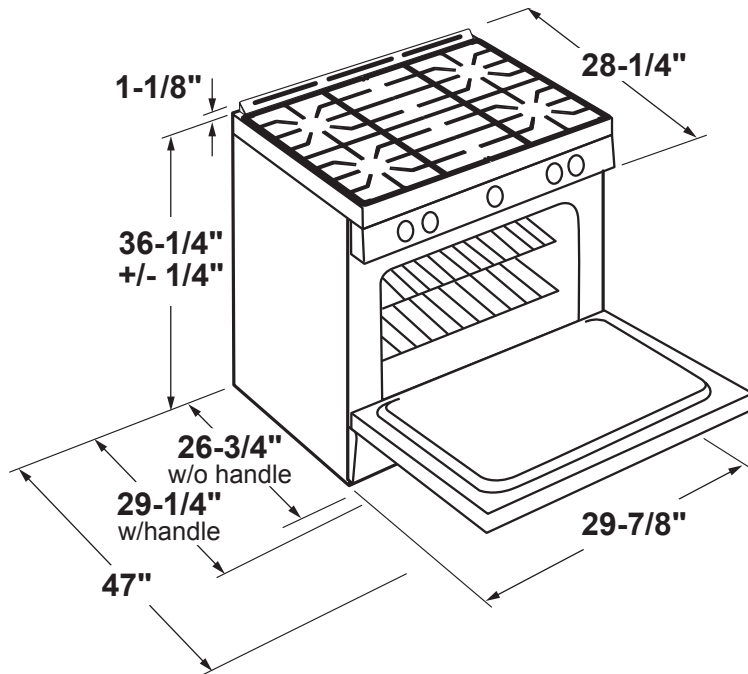
### DIMENSIONS AND INSTALLATION INFORMATION (IN INCHES)

**NOTE:** Door handle protrudes 3" from door face.  
Cabinets and drawers on adjacent 45° and 90° walls should be placed to avoid interference with the handle.

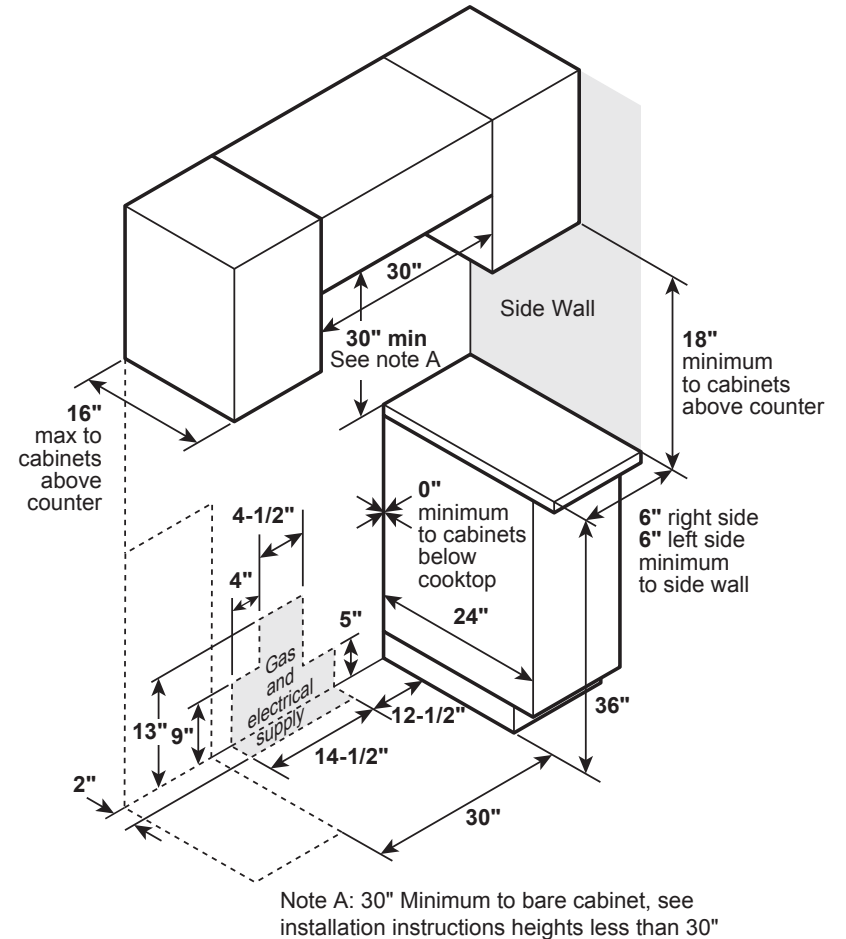
**NOTE:** Cabinets installed adjacent to slide-in ranges must have an adhesion spec of at least 194° temperature rating.

**INSTALLATION INFORMATION:** Before installing, consult installation instructions packed with product for current dimensional data.

For all installations, install the required rear trim to back of range with 4 screws provided.



### GAS PIPE AND ELECTRICAL OUTLET LOCATIONS



For answers to your Monogram, GE Café™, GE Profile™, or GE Appliances product questions, visit our website at [geappliances.com](http://geappliances.com) or call GE Answer Center® Service, 800.626.2000.



All GE ranges are equipped with an Anti-Tip device. The installation of this device is an important, required step in the installation of the range.

# JGSS61SP

## GE® 30" Slide-In Front Control Gas Range

### FEATURES AND BENEFITS

**Fit Guarantee** – This gas range will fit your existing 30" cut-out, or GE Appliances will help pay for modifications up to \$300.

**Edge-to-edge cooktop** – Continuous, edge-to-edge cooktop give you a large cooking space and can handle any cookware

**Two 15,000-BTU Power Boil Burners** – Steam your favorite veggies on one powerful burner while searing a steak on the other

**Precise simmer burner** – This burner setting provides low, even heat so delicate dishes don't burn

**Heavy duty, dishwasher-safe grates** – These cooktop grates can be cleaned one of two ways – either in the dishwasher, or on the bottom of a self-clean oven

**Steam clean** – A steam cleaning option cleans the oven cavity in a 30-minute cycle with less odor and heat

**In-oven broil** – An in-oven broiler makes broiler cooking hassle-free

**Smooth-glide storage drawer** – A storage drawer opens and closes easily for extra kitchen storage

**Large capacity oven** – Cook an entire meal at once with a 5.3 cubic foot oven which provides enough room for multiple dishes

**Finished sides** – Make range installation easy and flexible while adding an attractive look to any kitchen

Model JGSS61SPSS – Stainless steel

### GUARANTEED FIT

Replace your old 30" free-standing range with a new 30" slide-in model. GE slide-in ranges are guaranteed for an exact fit or GE Appliances will pay up to \$300 toward modifications.

Visit [geappliances.com](http://geappliances.com) for more info

