

CVA 7440 - Brilliant White

24" Built-In Coffee Machine - VitroLine

Features:

- WifiConn@ct - Monitor appliances from your mobile device
- Cup Sensor - automatically positions dispenser to the cup
- 24 + coffee and tea drinks

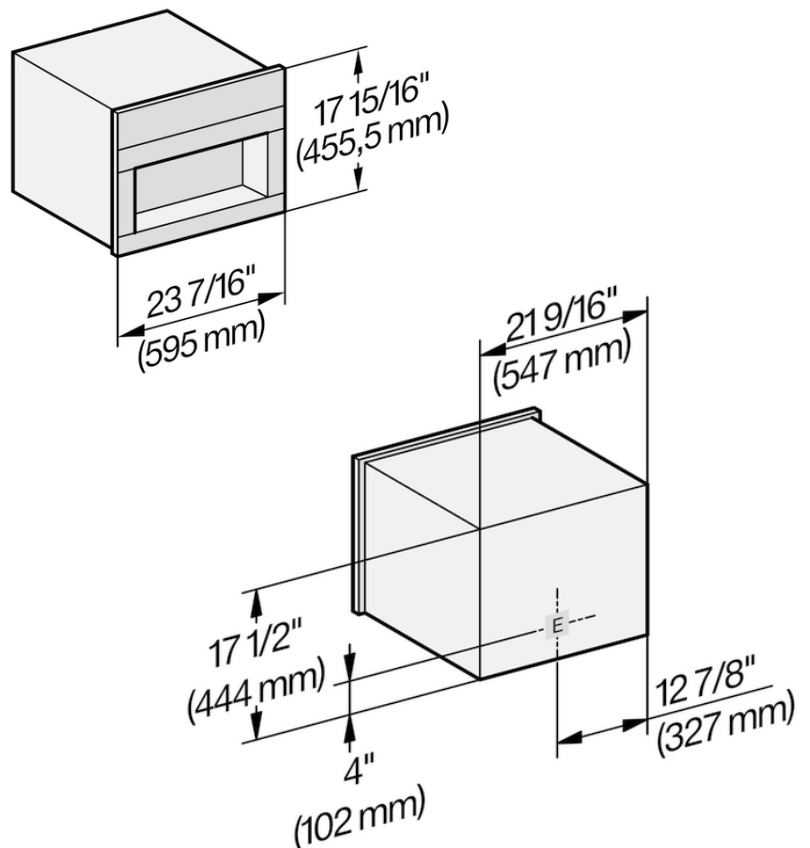


MATERIAL

11754290

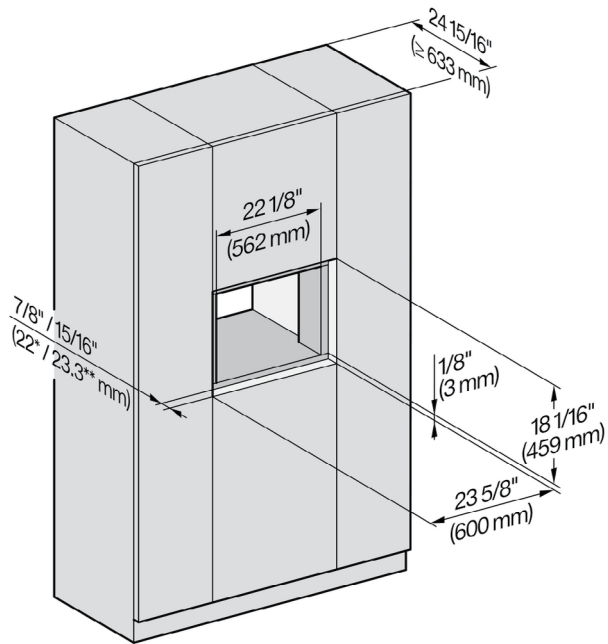
SPECIFICATIONS	
Overall Unit Dimensions	23 ⁷ / ₁₆ " (595 mm) W x 17 ¹⁵ / ₁₆ " (455.5 mm) H x 17 ³ / ₄ " (451 mm) D
Niche	
Minimum Cabinet Niche Opening	22 ¹ / ₈ " (562 mm) W x 17 ¹¹ / ₁₆ " (450 mm) H x 24" (610 mm) D
Electrical	
Electrical Requirements	120V, 60Hz, 15 Amps
Power Cord	NEMA 5-15 plug, 6 ft (1.8 m)
Shipping	
Shipping Weight	63.5 lbs (28.8 kg)
Shipping Dimensions	22 ¹ / ₁₆ " (560 mm) W x 22 ¹ / ₁₆ " (560 mm) H x 25 ³ / ₁₆ " (640 mm) D

PRODUCT DIMENSIONS

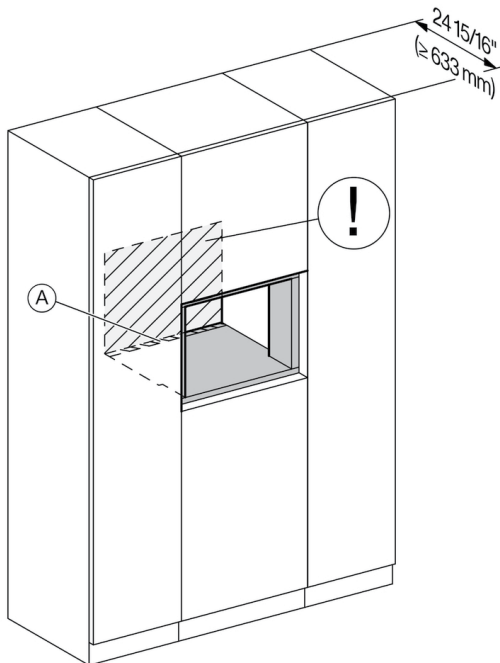
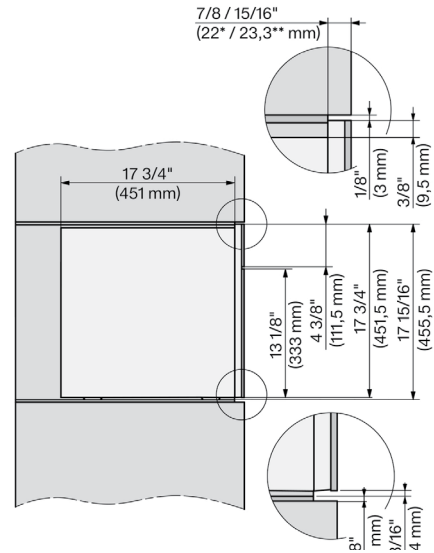


FLUSH CUTOUT DIMENSIONS

Front View



Side View



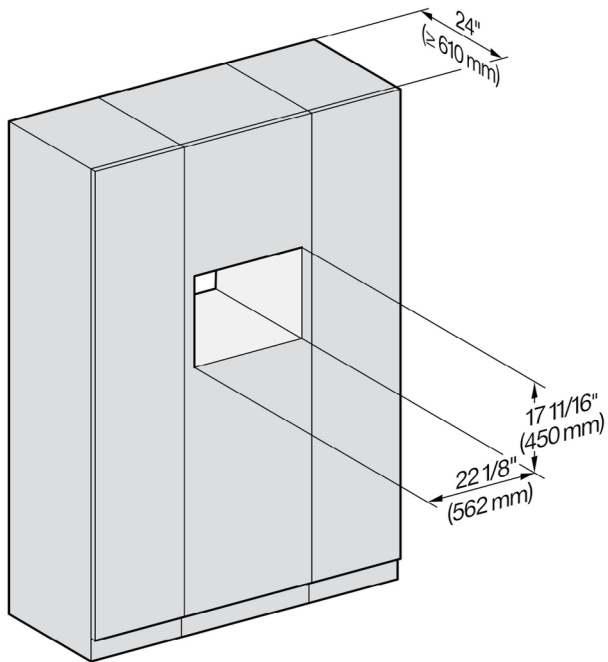
A - Cut-out (4" x 28" [100 mm x 720 mm]) in the bottom of the cabinet for the power cord and Ventilation

ⓘ - Electrical and water supplies are recommended to be placed in adjacent cabinetry.

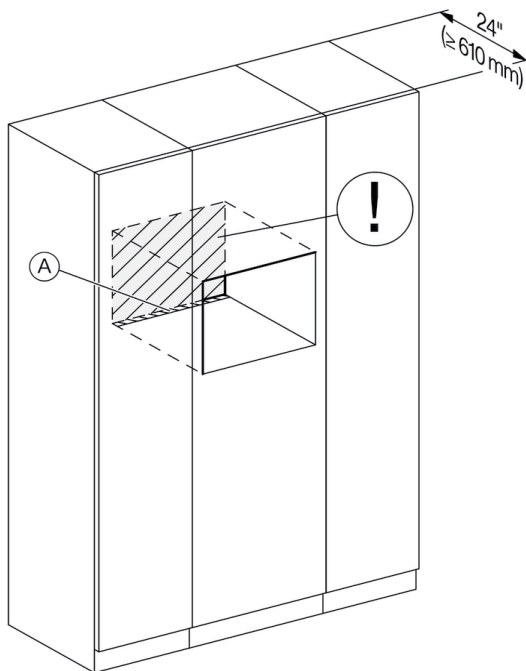
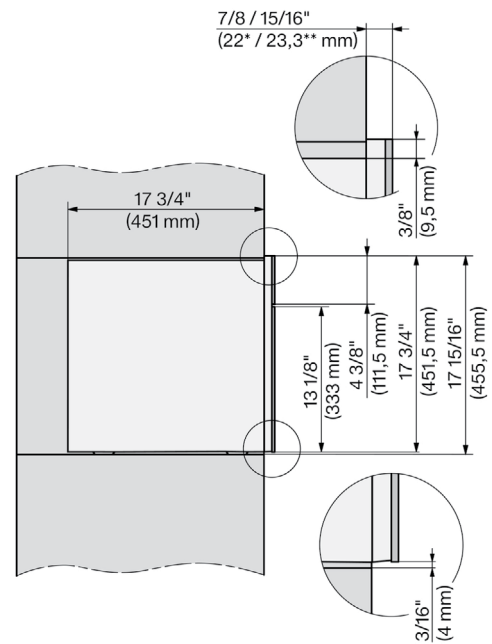
Additional cabinet depth is required when placing the electrical and water supplies behind the appliance.

PROUD CUTOUT DIMENSIONS

Front View



Side View



A - Cut-out (4" x 28" [100 mm x 720 mm]) in the bottom of the cabinet for the power cord and Ventilation

ⓘ - Electrical and water supplies are recommended to be placed in adjacent cabinetry.

Additional cabinet depth is required when placing the electrical and water supplies behind the appliance.