

## DGC 7440 XL 24" Combi-Steam Oven - PureLine

### Features:

- Combi-Steam Ovens: Steam ovens with full fledged oven function
- Lift up panel - conveniently stores the water containers
- Dual Steam - quickly and evenly distribute steam for perfect cooking results
- Mix & Match - use your Miele@home app or the WiFi enabled appliance to create recipes for full meals

### Included:

- 1 Universal Tray with Perfect Clean
- 1 Wire rack with Perfect Clean
- 1 perforated stainless steel container
- 1 solid stainless steel container

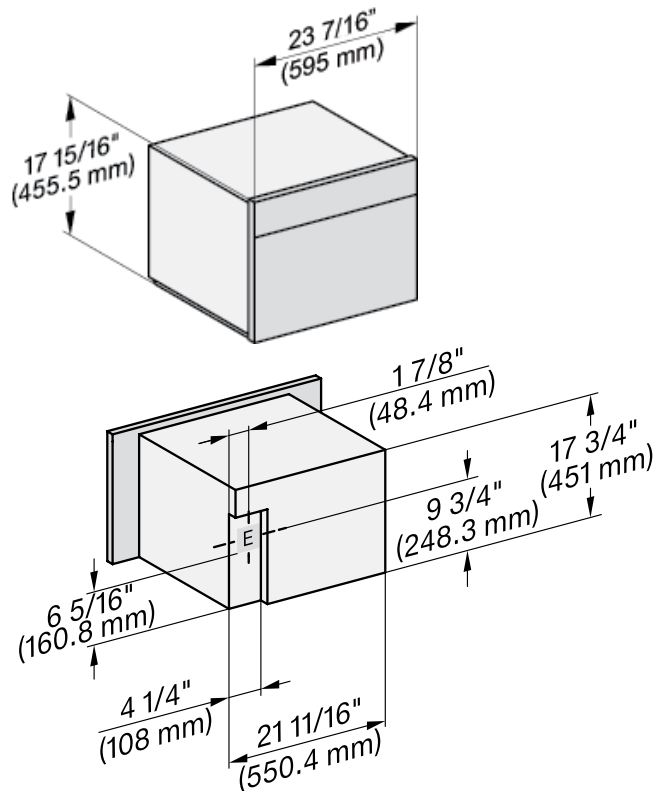


### MATERIAL #

11876950

SPECIFICATIONS	
Overall Unit Dimensions	23 <sup>7</sup> / <sub>16</sub> " (595 mm) W x 17 <sup>15</sup> / <sub>16</sub> " (455.5 mm) H x 23 <sup>1</sup> / <sub>4</sub> " (590 mm) D
<b>Niche</b>	
Minimum Cabinet Niche Opening	22 <sup>1</sup> / <sub>2</sub> " (562 mm) W x 17 <sup>11</sup> / <sub>16</sub> " (450 mm) H x 24" (610 mm) D
<b>Electrical</b>	
Electrical Requirements	208 - 240V, 60Hz, 20 Amps
Power Cord	NEMA 6-20 plug, 5 ft (1.52 m)
<b>Shipping</b>	
Shipping Weight	128 lbs (58 kg)
Shipping Dimensions	27 <sup>7</sup> / <sub>16</sub> " (697 mm) W x 23 <sup>7</sup> / <sub>16</sub> " (595 mm) H x 26 <sup>1</sup> / <sub>16</sub> " (677 mm) D

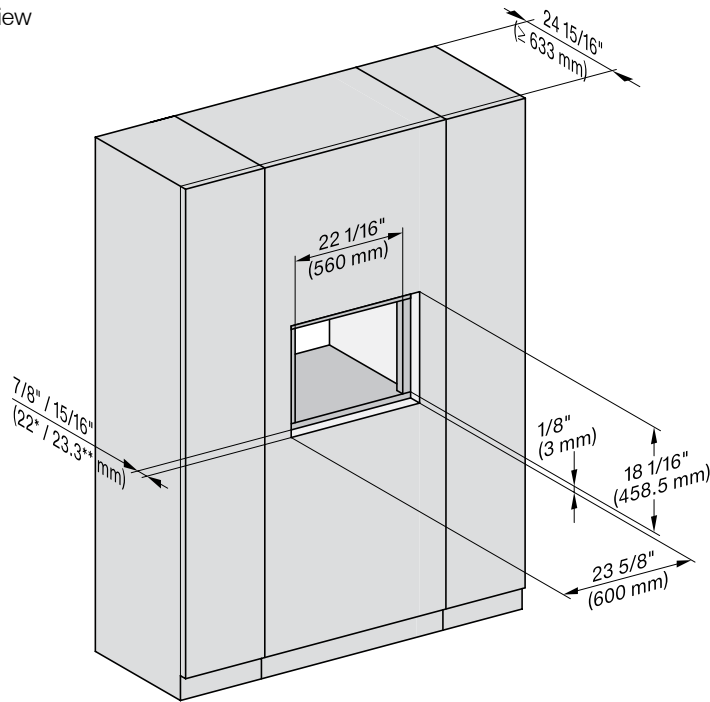
### PRODUCT DIMENSIONS



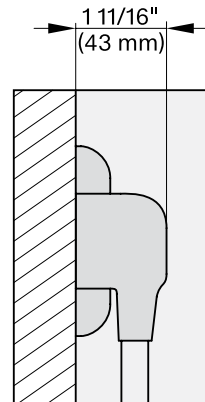
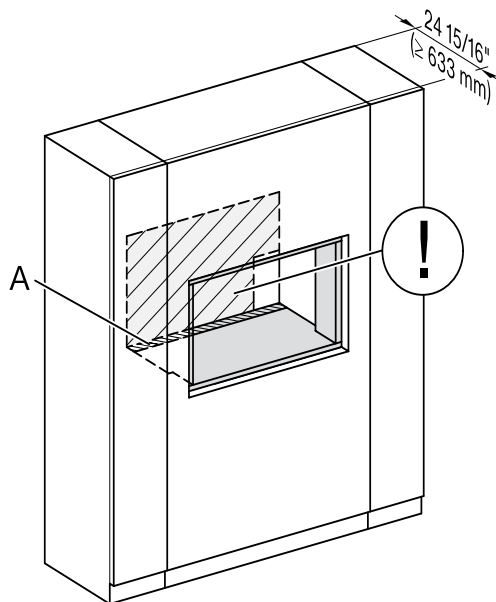
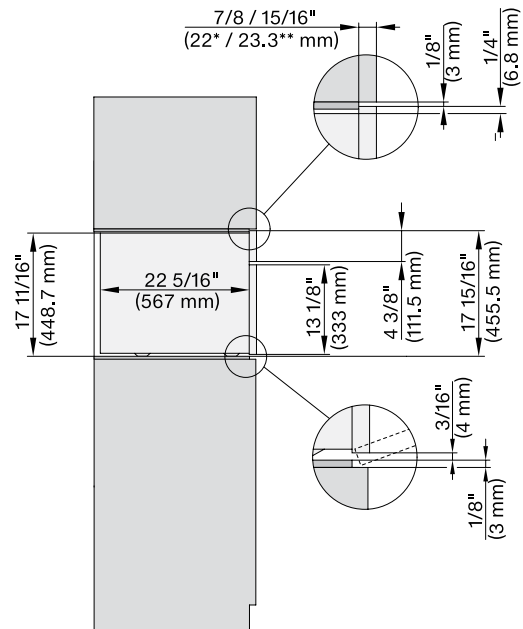
E = Electrical connection

## FLUSH CUTOUT DIMENSIONS

Front View



Side View



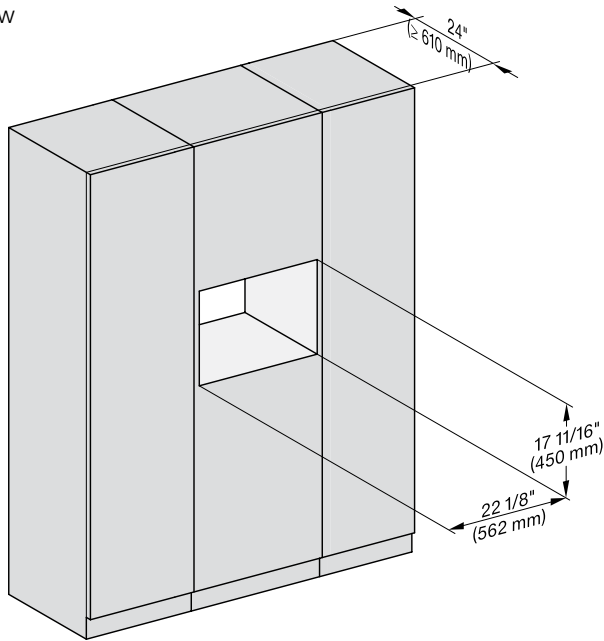
A - Cut-out (4" x 28" [100 mm x 720 mm]) in the bottom of the cabinet for the power cord and Ventilation

ⓘ - Electrical and water supplies are recommended to be placed in adjacent cabinetry.

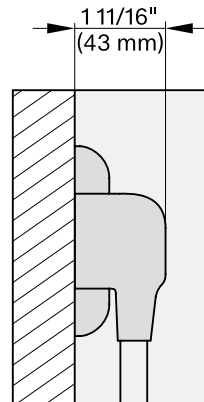
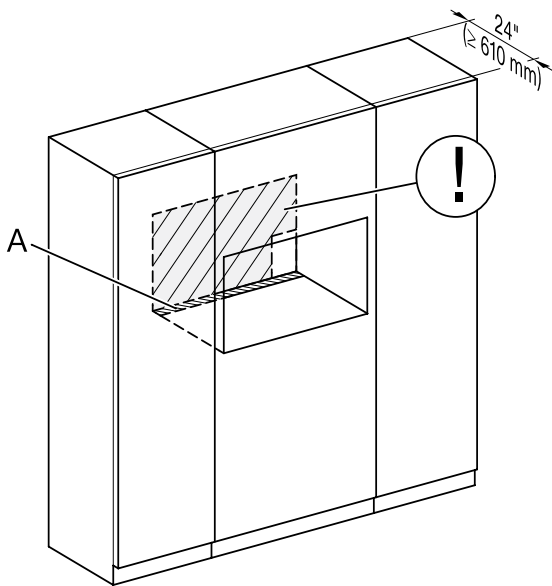
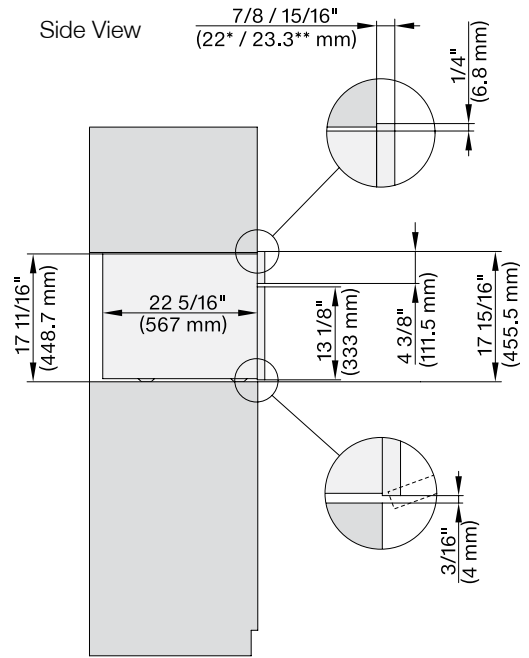
Additional cabinet depth is required when placing the electrical and water supplies behind the appliance.

## PROUD CUTOUT DIMENSIONS

Front View



Side View



A - Cut-out (4" x 28" [100 mm x 720 mm]) in the bottom of the cabinet for the power cord and Ventilation

ⓘ - Electrical and water supplies are recommended to be placed in adjacent cabinetry.

Additional cabinet depth is required when placing the electrical and water supplies behind the appliance.