

# MONOGRAM 27" BUILT-IN SINGLE OVEN

ZKS90DPSNSS



## THE MONOGRAM STATEMENT COLLECTION

Edge-to-edge handles, polished stainless steel, and hand-finished edges convey a sense of solidity and beauty

## LCD CONTROLS

Adjust oven settings with little effort with a Brilliant 7" LCD display that allows you to customize backgrounds and receive weather updates

## WIFI CONNECT

Perfectly in sync with a busy lifestyle, Alexa or Google Home can be used to control an array of oven functions from both inside and outside the home

## SCAN-TO-COOK

Innovative and time saving, scan-to-cook technology ensures that packaged foods are always prepared correctly. A simple scan of the barcode with a smartphone delivers consistently, delicious results

## TRUE EUROPEAN CONVECTION

Achieve delicious results from a third heating element and fan combination

## 4.3 CUBIC FOOT CAPACITY

Accommodates even the largest meals

## EXCLUSIVE SELF-CLEAN, (1 FULL-EXTENSION, 2 REGULAR) OVEN RACKS

Glide in and out smoothly on stainless steel ball bearings, and are designed to be left in the oven during the self-clean cycle

## TEN-PASS BAKE ELEMENT

Covers more surface area for more even baking results

## EIGHT-PASS BROIL ELEMENT

Provides complete coverage and even browning, even for large dishes

## SOFT-CLOSE DOOR

An expertly engineered hinge ensures that the oven door closes quietly and smoothly, every time

## SELF-CLEAN WITH STEAM CLEAN OPTION

Gives you flexible options for thorough oven cleaning

## SABBATH MODE

Designed to disable functions in accordance with Sabbath-observing practices



### SPECIFICATIONS

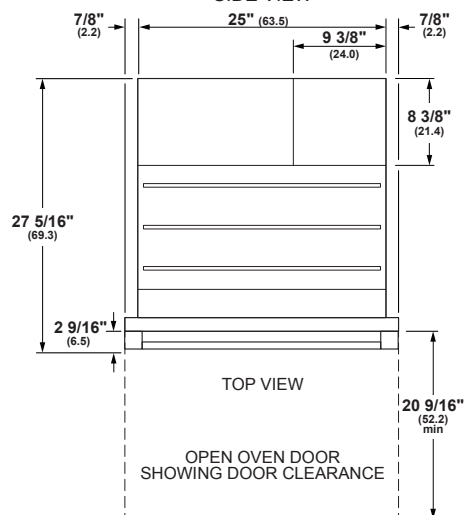
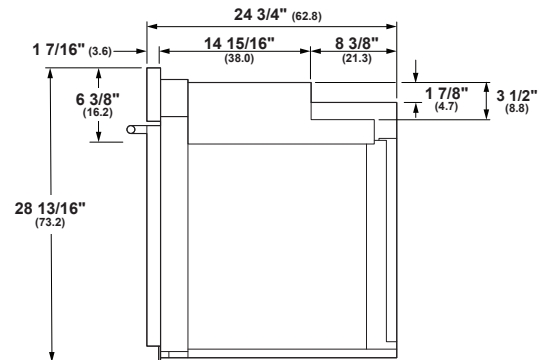
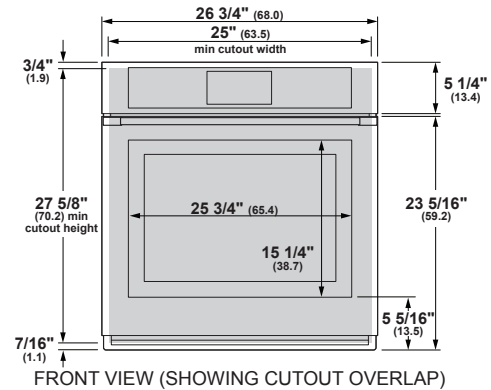
Overall Width	26 3/4" (68.0 cm)
Overall Height	28 13/16" (72.2 cm)
Overall Depth Including Handle	27 5/16" (69.3 cm)
Oven Door Clearance	20 9/16" (52.2 cm)
Overall Oven Interior Capacity	4.3 cu. ft. (121.8 liters)
Oven Interior Dimensions (W x H x D)	21 1/2" x 17 1/4" x 20" (54.6 x 43.8 x 50.8 cm)
Minimum Cabinet Width*	27" (76.2 cm)
Minimum Cabinet Depth*	24" (61.0 cm)
Minimum Base Support	220 lbs. (99 kg)
Cutout Width*	25" (63.5 cm) Min 25 1/4" (64.1 cm) Max
Cutout Height*	27 5/8" (70.2 cm) Min 28 1/8" (71.4 cm) Max
Cutout Depth*	23 1/2" (59.7 cm) Min
Volts/Hertz/Amps	240/208 V AC, 60 Hz, 20A
Conduit Length	48" (72" available special order: WB18T10398)
Electrical Rating	2.7 kW at 208V 3.6 kW at 240V
Shipping Weight	140 lbs. (64 kg)

\* Additional space will be needed for flush installation.

### ATTENTION ELECTRICIAN:

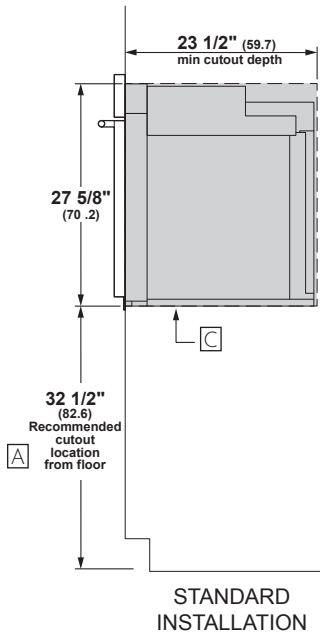
A 240/208V, 60Hz, 20 Amp circuit is required. An individual properly grounded branch circuit or circuit breaker is required. Hardware junction box is required for built-in product.

### OVERALL DIMENSIONS



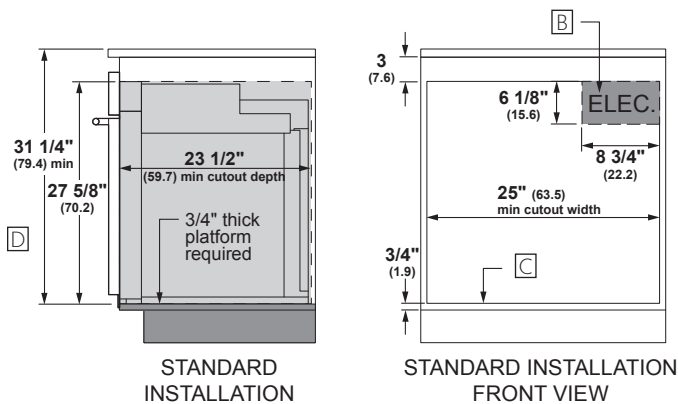
Dimensions in parentheses are in centimeters unless otherwise noted. Actual product dimensions may vary due to manufacturing tolerances.

## WALL INSTALLATION



Allow  $\frac{1}{8}''$  (0.3) clearances from side edges of oven door.

## UNDERCOUNTER INSTALLATION

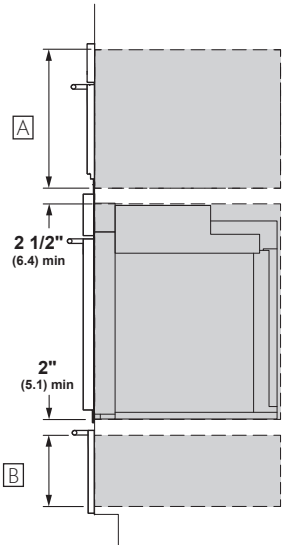


## HELPFUL TIPS

- A** Based on a user height of 5' 6" to 5' 10".
- B** Junction box location (May also be located in adjacent cabinet.)
- C** Platform must be able to support 220 lbs (99 kg).
- D** Minimum  $31 \frac{1}{4}''$  from the top surface of the countertop to the top surface of the wall oven support platform when installed beneath a certified cooktop.

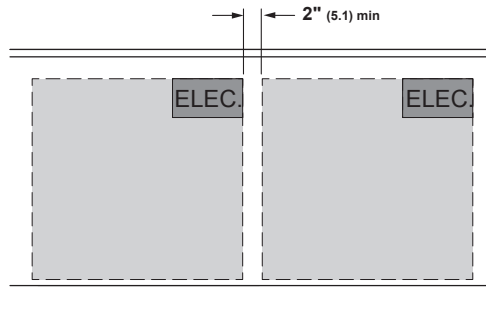
For more details, refer to the installation instructions for this product on [Monogram.com](http://Monogram.com). Dimensions in parentheses are in centimeters unless otherwise noted.

**INSTALLATION WITH ADVANTIUM AND WARMING DRAWER**



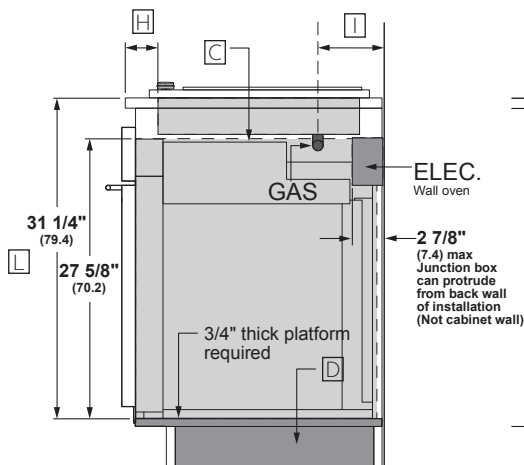
**STANDARD INSTALLATION SIDE VIEW**

**SIDE BY SIDE INSTALLATION**

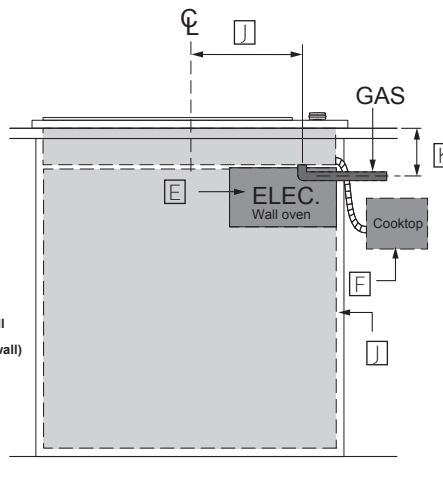


**SIDE-BY-SIDE INSTALLATION FRONT VIEW OF CUTOUTS**

**UNDER COOKTOP INSTALLATION**



**STANDARD INSTALLATION SIDE VIEW**



**FRONT VIEW**

**HELPFUL TIPS**

- A** Dimensions per Advantium or Microwave Oven requirements.
- B** Dimension per Warming Drawer requirements.
- C** Note this oven is only approved to be installed under specific models as labeled on this unit.
- D** Support platform made of 3/4" (1.9 cm) wood is required. Must be capable of supporting 220 lbs (99 kg). Support Platform base to be same height as toe kick.
- E** Junction box location for wall oven. (May also be located in adjacent cabinet).
- F** Gas regulator and electric connections for cooktops must be located in an adjacent accessible location to the right.
- G** Top and/or side fillers may be necessary if unit is positioned between existing cabinets. Be sure they are attached securely, since they will anchor the oven in the cabinet.
- H** For flush oven installations, the cooktop cutout must be set back 2 1/2" (6.4 cm) plus the cleat setback.
- I** Dimension varies based on model.  
example: ZGU30 4 5/16" (11.0 cm) (from wall)
- J** Dimension varies based on model.  
example: ZGU30 12 1/16" (30.6 cm) (centerline)
- K** Dimension varies based on model.  
example: ZGU30 5" (12.7 cm)
- L** From the top surface of the countertop to the top surface of the wall oven support platform.

For more details, refer to the installation instructions for this product on [Monogram.com](http://Monogram.com). Dimensions in parentheses are in centimeters unless otherwise noted.