

# PTD9000BN/SN

## GE Profile™ 30" Smart Built-In Convection Double Wall Oven with CookCam™ and Air Fry

### DIMENSIONS AND INSTALLATION INFORMATION (IN INCHES)

**NOTE:** Wall coverings, countertops and cabinets surrounding the wall oven must be able to withstand a temperature of up to 200°F (94°C).

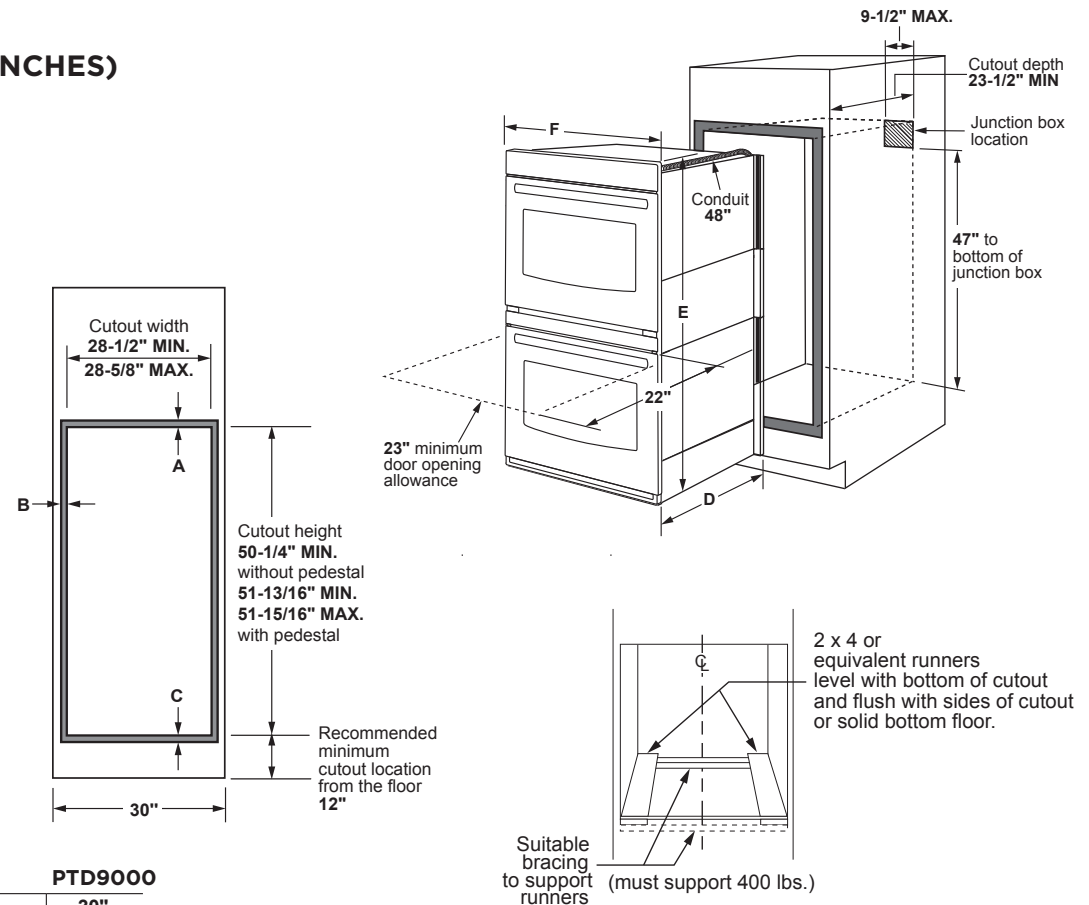
**NOTE:** If the cabinet in which the wall oven is installed does not have a solid bottom, two braces or runners must be installed to support the weight of the oven. The runners and braces must support up to 400 lbs (181 kg).

**NOTE:** Door handle protrudes 3" from door face. Cabinets and drawers on adjacent 45° and 90° walls should be placed to avoid interference with the handle.

**ATTENTION INSTALLER:** Electric wall ovens are NOT approved for installation with a plug and receptacle. They must be hard wired into an approved junction box.

**IMPORTANT:** Before installing, consult installation instructions packed with product for current dimensional data.

KW RATING	
240V	9.0
208V	6.8
BREAKER SIZE	
240V	40 Amps
208V	40 Amps



**PTD9000**

<b>Cabinet</b>	<b>30"</b>
A - Overlap of oven at top of cutout	<b>1"</b>
B - Overlap of oven other side of edge of cutout	<b>3/4"</b>
C - Overlap of oven at bottom of cutout	<b>1-1/4"</b>
<b>Oven</b>	
D - Install depth	<b>23-1/2"</b>
E - Overall height with trim	<b>53"</b>
F - Overall width	<b>29-3/4"</b>

Dimension and installation information are shown in inches.



For answers to your Monogram, GE Café™, GE Profile™ or GE Appliances product questions, visit our website at [geappliances.com](http://geappliances.com) or call GE Answer Center® Service, 800.626.2000.



# PTD9000BN/SN

## GE Profile™ 30" Smart Built-In Convection Double Wall Oven with CookCam™ and Air Fry

### DIMENSIONS AND INSTALLATION INFORMATION (IN INCHES)

**NOTE:** 30" Double electric wall ovens are approved for installation above 27" and 30" warming drawers.

**ATTENTION INSTALLER:** Electric wall ovens are NOT approved for installation with a plug and receptacle. They must be hard wired into an approved junction box.

**IMPORTANT:** Before installing, consult installation instructions packed with ALL products for current dimensional and combination data.

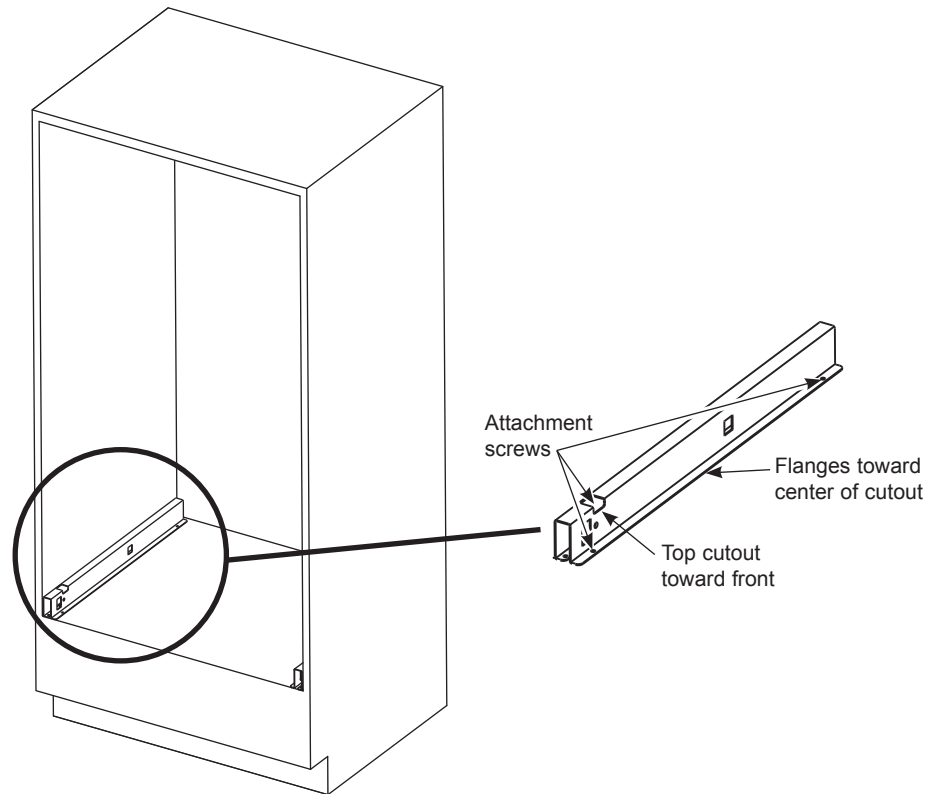
#### WHEN TO USE THE PEDESTAL RAILS:

When replacing an older GE Appliances 30" double wall oven with a new GE Appliances model. Cutout Height = 51-13/16" to 51-15/16". This is our traditional cutout height.

#### WHEN NOT TO USE THE PEDESTAL RAILS:

When replacing a 30" double wall oven from another manufacturer (ie; Whirlpool) with a new GE Appliances model. Cutout height = 50-1/4". You will need to verify that the existing cutout matches the 50-1/4" dimension.

If the new GE Appliances 30" double wall oven is being installed into new construction (ie; not a replacement), then the recommended installation is to use the pedestal rails.



For answers to your Monogram, GE Café™, GE Profile™ or GE Appliances product questions, visit our website at [geappliances.com](http://geappliances.com) or call GE Answer Center® Service, 800.626.2000.

Specification Revised 6/22

# PTD9000BN/SN

## GE Profile™ 30" Smart Built-In Convection Double Wall Oven with CookCam™ and Air Fry

### FEATURES AND BENEFITS

**CookCam** – Check on your food from anywhere without opening the oven door by live streaming video of your food on your smartphone.

**No Preheat Air Fry** – Integrated hot air frying technology gives you crispy results in your oven without using oil (upper oven).

**Temperature Probe** – A precision temperature probe connects to the oven to ensure your food is properly cooked.

**Dehydrate Mode** – Make homemade chips, spices and dried fruits with a high-capacity dehydrator within your oven.

**Precision Cooking Modes\*** – Simplify the cooking process with precision cooking modes that automatically track progress, and make time and temperature adjustments (upper oven).

**Built-In WiFi, Powered by SmartHQ App** - Connect, control and manage your oven from anywhere with your smartphone or tablet.

**GE Profile Connect +** – Ensure your oven always has the latest features, like new Air Fry modes, with downloadable software updates.

**True European Convection with Direct Air** – This oven features True European Convection, an advanced convection system that uses a third heating element and reversing fan for the highest level of heat and air circulation.

**No Preheat** – Eliminate the need for preheating and save time with a variety of precision cooking modes.

**Full-Color Display** – Easily navigate wall oven settings thanks to a 7" touchscreen display.

**Soft-close door** – Rest assured your oven door will always close softly, thanks to a special hinge that quietly eases it shut.

**Easy-Glide, Never-Scrub Rack** – This smooth-gliding oven rack can be left in the oven during the self-clean cycle so you never have to scrub.

**Self-Clean with Steam Clean** – This self-cleaning oven uses optional steam cleaning for light soils to clean the oven cavity with less heat and odor.

**10-pass hidden bake element** – Even baking is assured with heat that covers more surface area.

**10-pass dual-broil element** – Large and small dishes brown evenly with two, full-coverage elements.

**Fit Guarantee** – This oven will fit your existing cut-out, or GE Appliances will help pay for modifications up to \$300.

Model PTD9000BNTS – Black Stainless

Model PTD9000SNSS – Stainless Steel

\*Available once connected to WiFi.



### GUARANTEED FIT

Replacing a similar wall oven from GE Appliances or another brand? GE wall ovens are guaranteed for an exact fit or GE Appliances will pay up to \$300 toward modifications.

Visit [geappliances.com](http://geappliances.com) for more info



For answers to your Monogram, GE Café™, GE Profile™ or GE Appliances product questions, visit our website at [geappliances.com](http://geappliances.com) or call GE Answer Center® Service, 800.626.2000.