

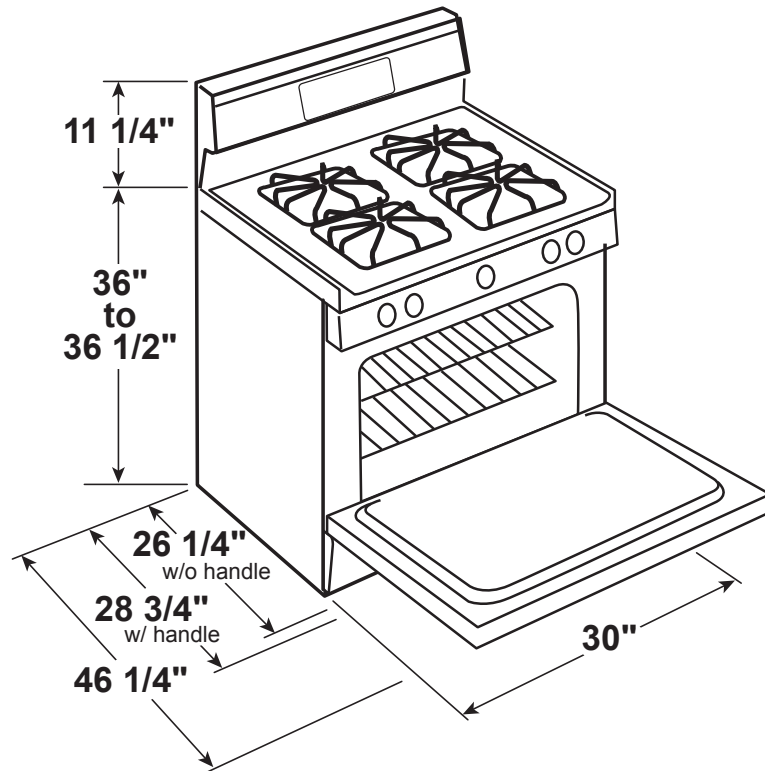
JGB735SP/EP/FP/DP

GE® 30" Free-Standing Gas Convection Range with No Preheat Air Fry

DIMENSIONS AND INSTALLATION INFORMATION (IN INCHES)

ELECTRICAL RATING: 120V, 60Hz, 15A

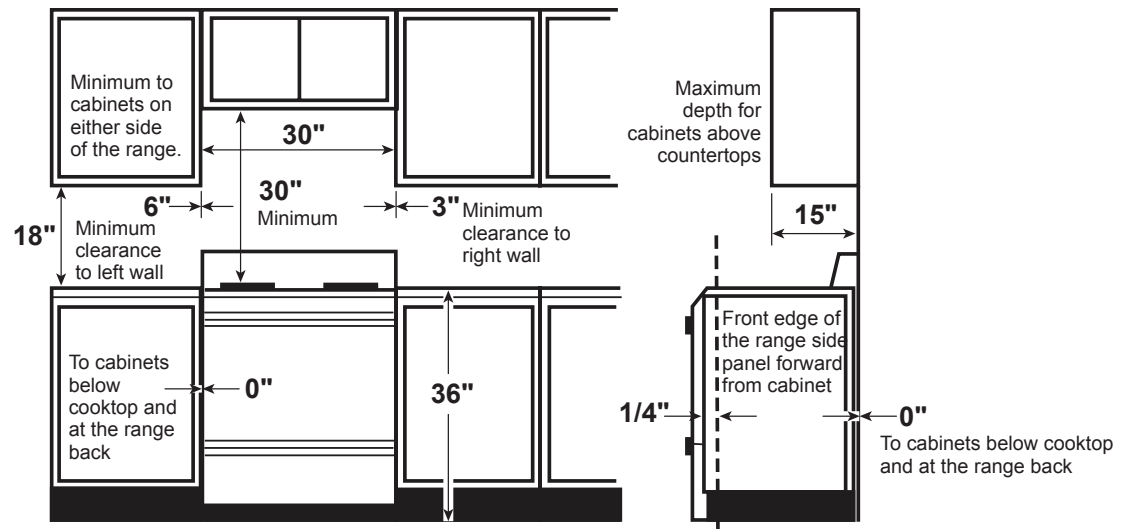
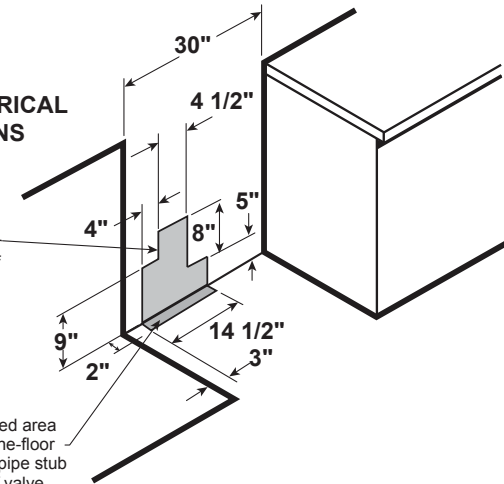
INSTALLATION INFORMATION: Before installing, consult installation instructions packed with product for current dimensional data.



AS PIPE AND ELECTRICAL OUTLET LOCATIONS

Recommended area for 120V outlet on rear wall and area for through-the-wall connection of pipe stub and shut-off valve.

Recommended area for through-the-floor connection of pipe stub and shut-off valve.



For answers to your Monogram, GE Café™, GE Profile™ or GE Appliances product questions, visit our website at geappliances.com or call GE Answer Center® Service, 800.626.2000.



All GE Appliances ranges are equipped with an Anti-Tip device. The installation of this device is an important, required step in the installation of the range.

JGB735SP/EP/FP/DP

GE® 30" Free-Standing Gas Convection Range with No Preheat Air Fry

FEATURES AND BENEFITS

No Preheat Air Fry – With this air fryer right in the oven, you can cook healthier, crispier versions of your favorite foods. There's no preheat required and it shortens the cook time because every minute counts.

Edge-to-Edge Cooktop – Continuous, edge-to-edge cooktop give you a large cooking space and can handle any cookware.

Integrated Griddle – This integrated non-stick griddle leads the industry in size and quality, so you can cook a lot of food at once.

Power Boil Burner – This 18,000-BTU power boil element produces intense heat to boil water fast.

Convection – This gas convection oven cooks and browns more evenly, using a rear fan to circulate hot air.

Self-Clean with Steam Clean – This self-cleaning oven uses optional steam cleaning for light soils to clean the oven cavity with less heat and odor.

Center Oval Burner – This center oval burner gives you a fifth burner and the perfect place to use griddles or odd-size cookware.

Heavy Duty, Dishwasher-Safe Grates – These cooktop grates can be cleaned one of two ways – either in the dishwasher, or on the bottom of a self-clean oven.

Large Capacity Oven – Cook an entire meal at once with a 5.0 cubic foot oven which provides enough room for multiple dishes.

Optional Roller Rack – An optional roller rack which makes removing heavy or odd-size cookware easy and safe.

Removable Storage Drawer – A full-width drawer provides space for kitchen accessory and cookware storage for added convenience in the kitchen.

Enhanced Shabbos Mode – The Shabbos Keeper connects to your range to automatically enable Shabbos compatible modes each week and before every holiday (Shabbos Keeper sold separately, visit www.zmantechologies.com for details).

Model JGB735SPSS – Stainless Steel

Model JGB735EPES – Slate

Model JGB735FPDS – Black Slate

Model JGB735DPWW – White

Model JGB735DPBB – Black

