

Installation Instructions

Pyramid Wall Chimney Vent Hoods

JVW5301, JVW5361

If you have questions, call GE Appliances at 800.GE.CARES (800.432.2737)
or visit our website at: GEAppliances.com

BEFORE YOU BEGIN

Read these instructions carefully and completely.

- **IMPORTANT** – Save these instructions for local inspector's use.
- **IMPORTANT** – Observe all governing codes and ordinances.
- **Note to Installer** – Be sure to leave these instructions with Consumer.
- **Note to Consumer** – Keep these instructions for future reference.
- **Skill level** – Installation of this appliance requires a qualified installer or electrician.
- **Completion time** – Approximately 1 to 3 hours
- Proper installation is the responsibility of the installer.
- Product failure due to improper installation is not covered under Warranty.

⚠ CAUTION Due to the weight and size of these vent hoods and to reduce the risk of personal injury or damage to the product, **TWO PEOPLE ARE REQUIRED FOR PROPER INSTALLATION.**

FOR YOUR SAFETY:

⚠ WARNING Before beginning the installation, switch power off at the service panel and lock the service disconnecting means to prevent power from being switched on accidentally. When the service disconnecting means cannot be locked, securely fasten a prominent warning device, such as a tag, to the service panel.

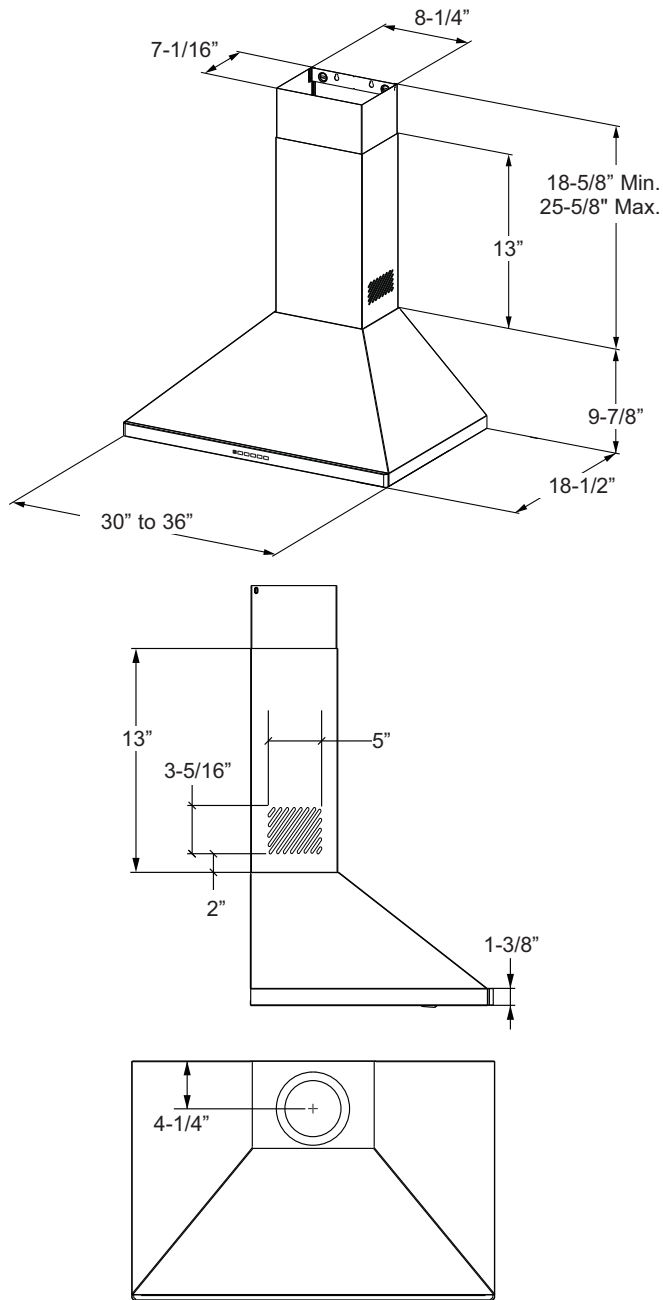
⚠ WARNING **TO REDUCE THE RISK OF FIRE, ELECTRIC SHOCK OR INJURY TO PERSONS, OBSERVE THE FOLLOWING:**

- A. Installation work and electrical wiring must be done by qualified person(s) in accordance with all applicable codes and standards, including fire-rated construction.
- B. Sufficient air is needed for proper combustion and exhausting of gases through the flue (chimney) of fuel burning equipment to prevent back drafting. Follow the heating equipment manufacturer's guidelines and safety standards such as those published by the National Fire Protection Association (NFPA), the American Society for Heating, Refrigeration and Air Conditioning Engineers (ASHRAE) and the local code authorities.
- C. When cutting or drilling into wall or ceiling, do not damage electrical wiring and other hidden utilities.
- D. Ducted fans must always be vented to the outdoors.
- E. Turn off breaker to adjacent rooms while working.

⚠ WARNING **TO REDUCE THE RISK OF FIRE, USE ONLY METAL DUCT WORK.**

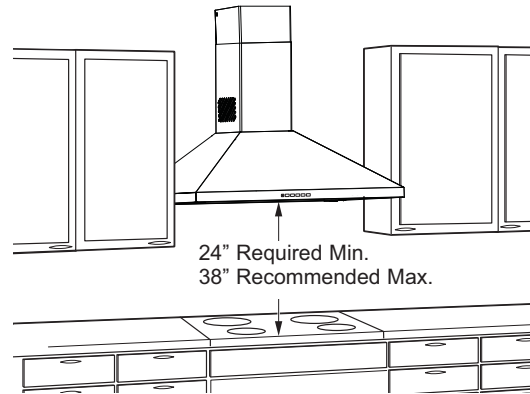
Installation Instructions

PRODUCT DIMENSIONS



INSTALLATION CLEARANCES

These vent hoods are designed to be installed onto a wall with no above cabinets.



The vent hood must be installed between the 24" required minimum and 38" recommended maximum above the cooking surface. The hood installation height above the cooking surface depends upon ceiling height and duct cover limitations. The telescopic duct cover conceals the ductwork running from the top of the hood to the ceiling. For supplied duct cover ceiling heights, see table on page 5.

NOTE: Installation height should be measured from the cooking surface to the lowest part of the hood. This hood must be installed onto a wall. It can be vented to the outdoors, or it can be installed for recirculating operation. For recirculation operation, see **Recirculation Install Planning**.

Installation Instructions

Visit the link below or use QR code to watch video about vent hood installation:
<https://www.youtube.com/embed/ilr6VeF0Yuw?rel=0>



ADVANCE PLANNING

Duct Install Planning

- This hood is designed to be vented vertically through the ceiling. Use a 6" round duct. Use locally supplied elbows to vent horizontally through the rear wall.
- Use metal ductwork only.
- Determine the exact location of the vent hood.
- Plan the route for venting exhaust to the outdoors. To maximize the ventilation performance of the vent system:
 1. Minimize the duct run length and number of transitions and elbows.
 2. Maintain a constant duct size.
 3. Seal all joints with duct tape to prevent any leaks.
 4. Do not use any type of flexible ducting.
- Install a wall cap or roof cap with damper at the exterior opening. Purchase the wall or roof cap and any transition and length of duct needed in advance.
- When applicable, install any makeup (replacement) air system in accordance with local building code requirements. Visit GEAppliances.com for available makeup air solutions.

Recirculation Install Planning

A recirculation duct (included) and two charcoal filters (not included) are necessary for recirculation installation.

Power Supply Planning

The location of the power supply connection is called out in the **Prepare the Wall** section on page 7.

POWER SUPPLY

IMPORTANT – (Please read carefully)

⚠ WARNING

FOR PERSONAL SAFETY, THIS APPLIANCE MUST BE PROPERLY GROUNDED.

Remove house fuse or open circuit breaker before beginning installation.

Do not use an extension cord or adapter plug with this appliance. Follow National Electrical Codes or prevailing local codes and ordinances.

Electrical supply

These vent hoods must be supplied with 120V, 60Hz, and connected to an individual, properly grounded branch circuit, and protected by a 15 or 20 amp circuit breaker or time delay fuse.

- Wiring must be 2 wire with ground.
- If the electrical supply does not meet the above requirements, call a licensed electrician before proceeding.
- Route house wiring as close to the installation location as possible in the ceiling or wall.
- Connect the wiring to the house wiring in accordance with local codes.

Grounding instructions

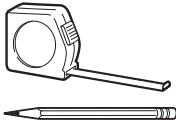
The grounding conductor must be connected to a ground metal, permanent wiring system, or an equipment-grounding terminal or lead on the hood.

⚠ WARNING

The improper connection of the equipment-grounding conductor can result in a risk of electric shock. Check with a qualified electrician or service representative if you are in doubt whether the appliance is properly grounded.

Installation Instructions

TOOLS AND MATERIALS REQUIRED (NOT SUPPLIED)



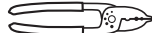
Pencil and tape measure



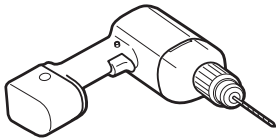
Safety glasses



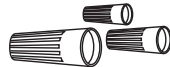
Level



Wire cutter/stripper



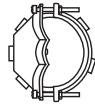
Electric drill with #2 Phillips, flat head, and 9/32" drill bit



UL listed wire nuts



Aluminized Duct tape



Strain relief for junction box

REMOVE THE PACKAGING

⚠ CAUTION

Wear gloves to protect against sharp edges.

- Remove the duct covers.
- Remove the hardware bag, literature package and other boxed parts.
- Remove and properly discard the protective plastic wrapping and other packaging materials.

PLAN THE INSTALLATION

⚠ CAUTION

To reduce risk of fire and to properly exhaust air, be sure to duct the air outside – Do not vent exhaust air into spaces within walls or ceilings or into attics, crawl spaces, or garages.

PARTS SUPPLIED FOR INSTALLATION

- 1 Hardware Package
- 1 Literature Package

PARTS NEEDED FOR INSTALLATION

- 1 Strain Relief
- Power Supply Cable
- 1 Wall or Roof Cap (for ducted venting only)
- All Metal Ductwork (for ducted venting only)
- Recirculation Duct (for recirculation install only)

⚠ WARNING

PERSONAL INJURY HAZARD

Because of the weight and size of the rangehood canopy. It is recommended that 2 people are used to install the range hood. Failure to properly lift rangehood could result in damage to the product or personal injury.

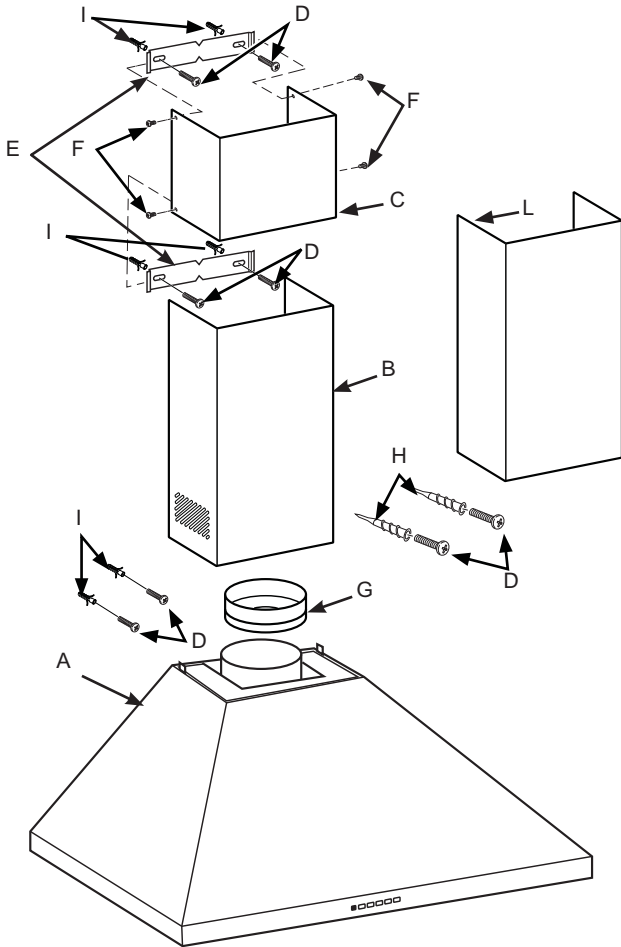
NOTE: This range hood can be installed as either ducted or recirculation. In a ducted application, this rangehood can be vented through the wall or ceiling. When installed for recirculation, the rangehood vents out the sides of the duct cover.

NOTE: Before making any cuts or holes for installation, determine which venting method will be used and carefully calculate all measurements.

Installation Instructions

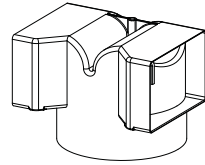
RANGE HOOD COMPONENTS

- A. Canopy Section
- B. Lower Duct Cover
- C. Upper Duct Cover
- D. Mounting Screws
- E. Duct Cover Mounting Brackets
- F. Duct Cover Screws
- G. Damper
- H. Canopy Mounting Anchors
- K. Duct Cover Anchors
- L. High Ceiling Duct Cover (for Slate Models only)

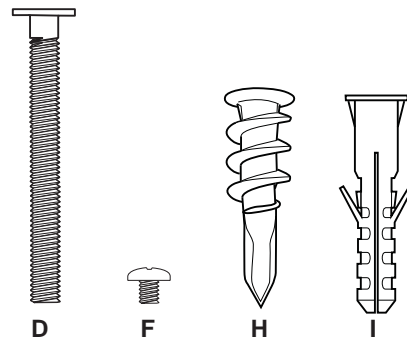


RANGE HOOD RECIRCULATION COMPONENT

Recirculation Duct



HARDWARE COMPONENTS

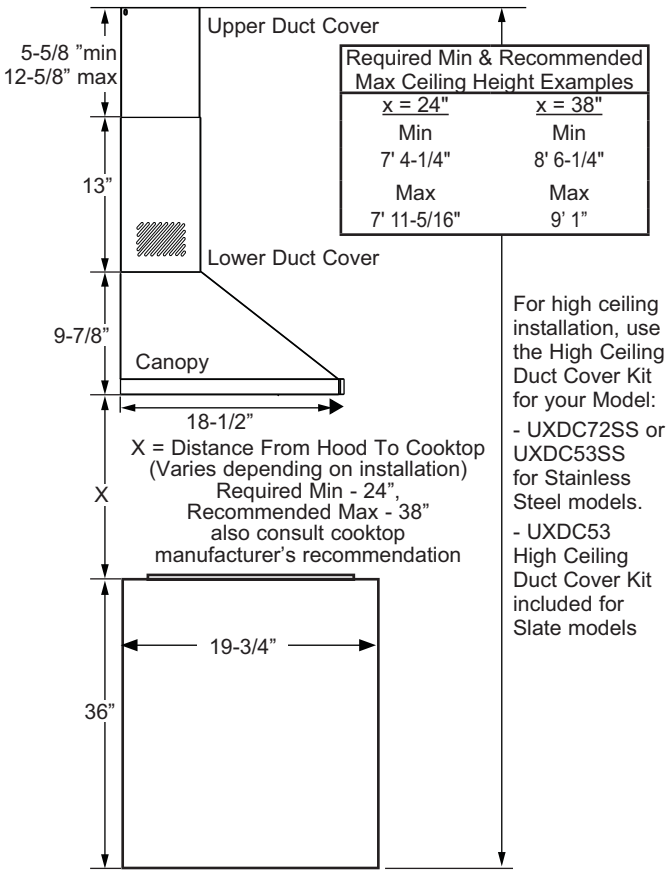


Installation Instructions

See table for max install height with included duct covers and accessory:

INSTALLATION DIMENSIONS

The Pyramid Chimneys are adjustable and designed to meet varying ceiling heights. The duct covers can be adjusted for ceilings between 7' 4 1/4" and 9' depending on the distance between the bottom of the hood and the cooktop (distance X).



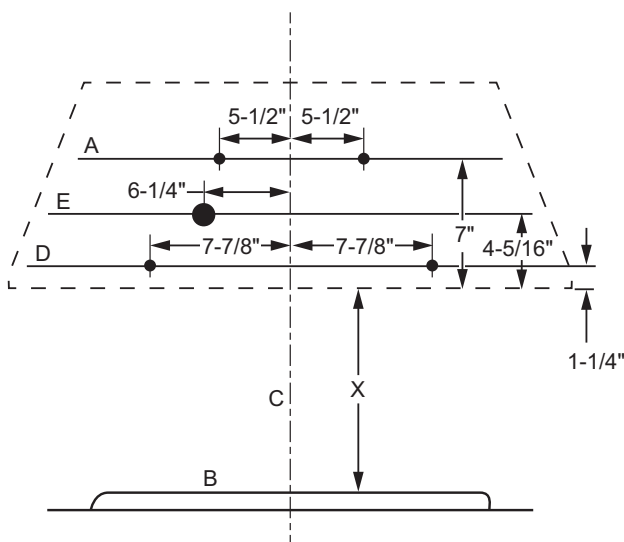
Ceiling Height (Actual)	Included	UXDC72 (Accessory)	UXDC53 (Accessory)
7' 4"			
7' 5"	24"		
7' 6"	24" to 25"		
7' 7"	24" to 26"		
7' 8"	24" to 27"		
7' 9"	24" to 28"		
7' 10"	24" to 29"	24"	
7' 11"	24" to 30"	24" to 25"	
8'	25" to 31"	24" to 26"	
8' 1"	26" to 32"	24" to 27"	
8' 2"	27" to 33"	24" to 28"	
8' 3"	28" to 34"	24" to 29"	
8' 4"	29" to 35"	24" to 30"	
8' 5"	30" to 36"	24" to 31"	
8' 6"	31" to 37"	24" to 32"	
8' 7"	32" to 38"	24" to 33"	
8' 8"	33" to 38"	24" to 34"	
8' 9"	34" to 38"	24" to 35"	
8' 10"	35" to 38"	24" to 36"	
8' 11"	36" to 38"	24" to 37"	
9'	37" to 38"	24" to 38"	24"
9' 1"	38"	25" to 38"	24" to 25"
9' 2"		26" to 38"	24" to 26"
9' 3"		27" to 38"	24" to 27"
9' 4"		28" to 38"	24" to 28"
9' 5"		29" to 38"	24" to 29"
9' 6"		30" to 38"	24" to 30"
9' 7"		31" to 38"	25" to 31"
9' 8"		32" to 38"	26" to 32"
9' 9"		33" to 38"	27" to 33"
9' 10"		34" to 38"	28" to 34"
9' 11"		35" to 38"	29" to 35"
10'		36" to 38"	30" to 36"
10' 1"		37" to 38"	31" to 37"
10' 2"		38"	32" to 38"
10' 3"			33" to 38"
10' 4"			34" to 38"
10' 5"			35" to 38"
10' 6"			36" to 38"
10' 7"			37" to 38"
10' 8"			38"

Installation Instructions

PREPARE THE WALL

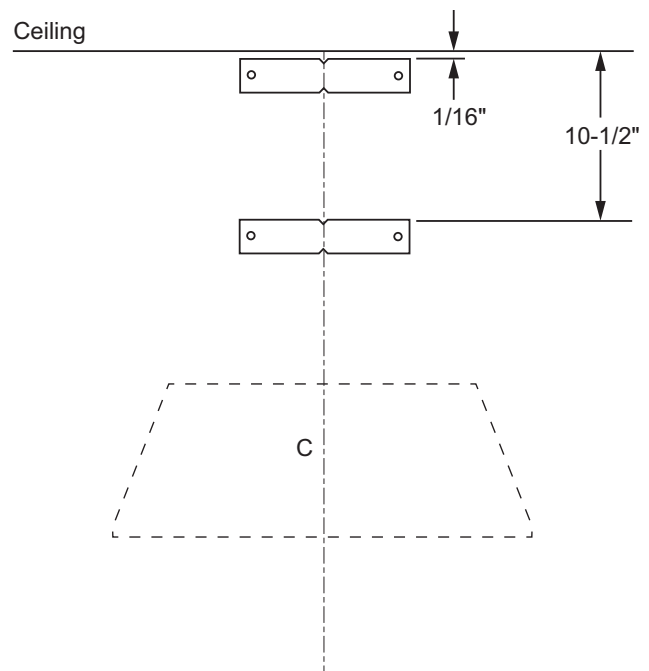
Hood Body

1. Put a protective covering over the surface below the location of the hood to protect from dirt and/or damage.
2. Determine and mark the centerline on the wall (draw line up to the ceiling) where the range hood will be installed. Based on the ceiling height, determine the distance 24" required min, 38" recommended max (X) needed between the cooking surface (B) and the bottom of the hood. To this distance, add 7" and draw a horizontal line (A) about 24" long centered on the vertical centerline (C).
3. Mark 2 points on each side of the horizontal line (A), 5-1/2" from the vertical centerline (C). Drill the canopy mounting anchors into the wall at the markings. Install the 2 mounting screws into the anchors, leaving a 1/4" gap between the wall and the back of the screw head. (You will place the hood body onto these screw heads.)
4. Draw a second horizontal line (D) that is 1-1/4" added from the X distance. Draw a third horizontal line (E) that is 4-5/16" added from the X distance.
5. Mark 2 points on each side of the horizontal line (D), 7-7/8" from the vertical centerline (C). Drill the 2 holes for installation with a 9/32" drill bit, and insert the duct cover anchors.
6. Determine and mark where the hole will be drilled for the power supply cable to be run through the wall. Mark a point on the left side of the horizontal line (E), 6-1/4" from the vertical centerline (C). Drill a 1-1/4" hole at this mark.



Duct Covers and Power Supply

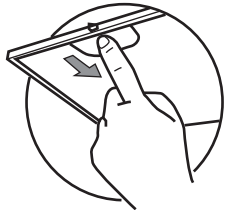
1. Place one of the duct cover brackets against the wall so that its top edge is 1/16" from the ceiling and level. Align the center notches of the bracket and the centerline (C) and mark the centers of the bracket holes. Remove the bracket to drill the 2 holes for installation with a 9/32" drill bit, and insert the duct cover anchors. Place the bracket back on the wall and install the 2 mounting screws into the anchors. Tighten screws.
2. Place the other duct cover bracket on the wall so that its top edge is 10-1/2" from the ceiling and level. Align the center notches of the bracket and the centerline (C) and mark the centers of the bracket holes. Remove the bracket to drill the 2 holes for installation with a 9/32" drill bit, and insert the duct cover anchors. Place the bracket back on the wall and install the 2 mounting screws into the anchors. Tighten screws.



Installation Instructions

PREPARE HOOD FOR INSTALLATION

1. Remove the grease filters from the unit and set aside. The grease filters are removed by pressing the handle in front of the filter. When replacing, make sure that the filters are properly positioned with the handles in front and visible.
2. Remove and properly discard the protective plastic wrapping from the hood and grease filters. For more cleaning options refer to Owner's Manual.
3. Remove junction box cover.



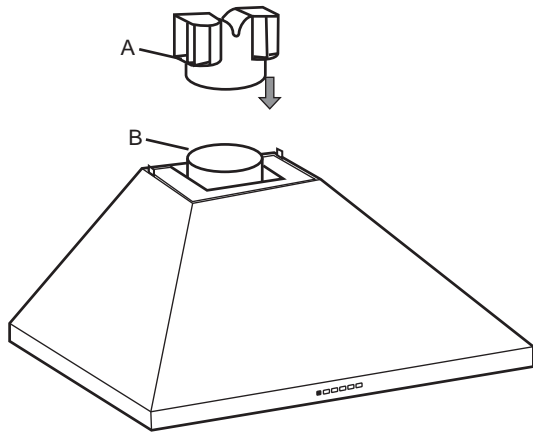
Vented Installations

1. Securely press damper on top of the exhaust opening. Check that the damper opens freely.
2. Go to **Mount the Range Hood** in this section.

Non-vented (recirculation) Installations

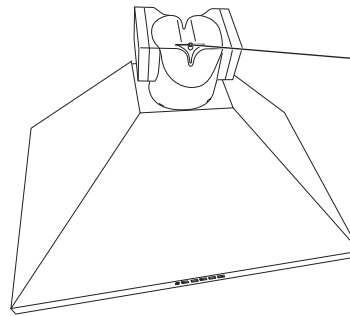
NOTE: Recirculation duct (included) and charcoal filters JXCF72 (not included) are required. **The damper is not installed on the unit with recirculation installations.**

1. Install the non-vented (ductless) recirculation duct (A) supplied with the vent hood.



Non-vented (recirculation) Installations

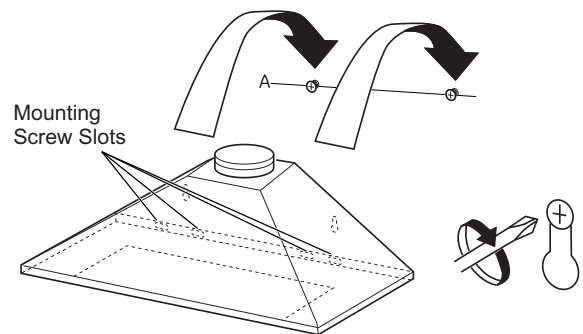
2. Check that the recirculation duct is in the correct orientation with the hole towards the front of the hood. Fit the recirculation duct over the vent exhaust outlet (B) and push down to seat on the outlet.
3. Go to **Mount the Range Hood** in this section.



NOTE: Hole must be facing toward front of hood.

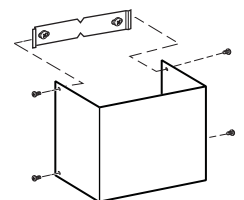
MOUNT THE PYRAMID RANGE HOOD

1. Install the range hood body by placing the hood key holes over the mounting screws. Feed the power supply cable through the electrical knockout. Tighten the mounting screws.



2. Insert 2 mounting screws into the 2 duct cover anchors (installed on line D in Preparing the Wall section) located in the slots on the back surface of the hood. Secure tightly.
3. Connect the house ducting to the damper on the hood body if ducted install. Seal all connections with duct tape. **NOTE:** If recirculation installation, skip to Step 4 and proceed.

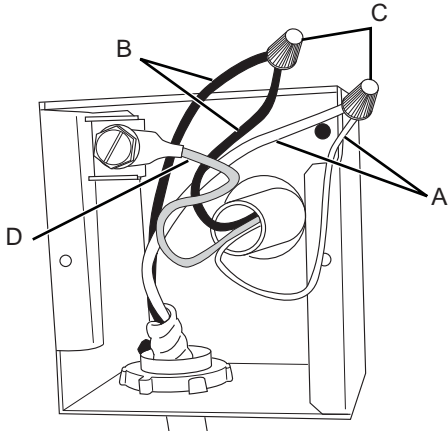
4. Install the upper duct cover. Slightly spread the sides of the cover apart and hook them behind the duct cover mounting brackets. Attach the cover to the brackets with 4 duct cover screws.



Installation Instructions

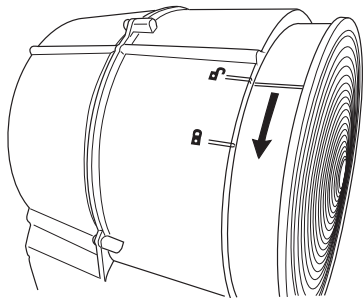
ELECTRICAL CONNECTION

1. Connect the Power Supply Cable to the range hood. Attach the white lead of the power supply to the white lead of the range hood (A) with a wire nut (C). Attach the black lead of the power supply to the black lead of the range hood (B) with a wire nut (C). Connect the green (D) ground wire under the green grounding screw.
2. Replace the junction box cover.



FINISH THE INSTALLATION

1. For recirculation installation only: Attach the CHARCOAL FILTERS (not included) to both sides of the blower. To do this, place the side of the charcoal filter with the tabs against the side of the blower. Align the double lines on the charcoal filter with the "unlocked" symbol on the blower. Push and twist downward until the double lines align with the "locked" symbol on the blower. Repeat on other side with second filter.

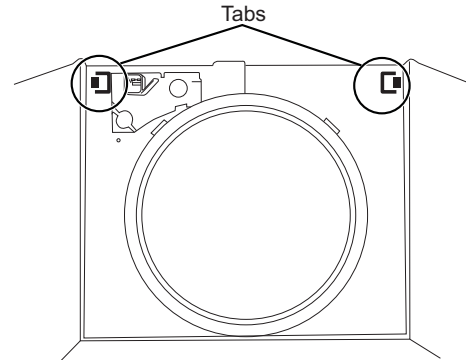


For recirculation and ducted installation:

2. Replace the grease filters.

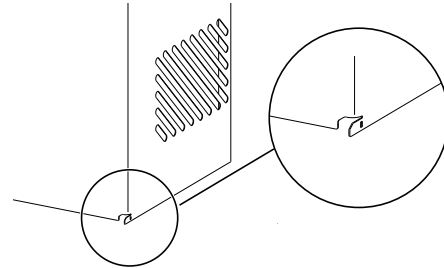
FINISH THE INSTALLATION (Continued)

3. Using a flathead screwdriver, lift up the tabs on the top of the canopy.

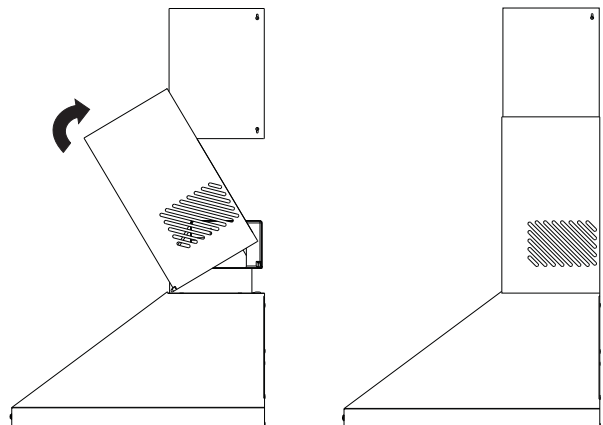


4. To install the lower duct cover:

- Use a flat head screwdriver to push the two tabs forward on the lower duct cover.



- Angle the duct cover to slide the tabs under the ledge of the hood body. Seat the back of the duct cover on the top of the range hood between the edges and tabs.



5. Turn the power supply on. Turn on blower and light. If the range hood does not operate, check that the circuit breaker is not tripped or the house fuse blown. If the unit still does not operate, disconnect the power supply and check that the wiring connections have been made properly.

Notes

Instrucciones de instalación

Campanas de Ventilación de Chimeneas de Pared Pirámide

JVW5301, JVW5361

? Ante cualquier duda, llame a GE Appliances al 800.GE.CARES (800.432.2737) o visite nuestro sitio Web en: GEAppliances.com

ANTES DE COMENZAR

Lea estas instrucciones por completo y con detenimiento.

- **IMPORTANTE** – Guarde estas instrucciones para el uso de inspectores locales.
- **IMPORTANTE** – Cumpla con todos los códigos y ordenanzas vigentes.
- **Nota al instalador** – Asegúrese de dejar estas instrucciones con el Consumidor.
- **Nota al consumidor** – Conserve estas instrucciones para referencia futura.
- **Nivel de capacidad** – La instalación de esta campana de ventilación requiere capacidades mecánicas y eléctricas básicas..
- **Tiempo de finalización** – Aproximadamente de 1 a 3 horas.
- El instalador tiene la responsabilidad de efectuar una instalación adecuada.
- La Garantía no cubre las fallas del producto debido a una instalación incorrecta.

⚠ PRECAUCIÓN

Debido al peso y tamaño de estas campanas de ventilación y para reducir el riesgo de lesiones personales o daños al producto, **SE NECESITAN DOS PERSONAS PARA REALIZAR UNA INSTALACIÓN CORRECTA.**

PARA SU SEGURIDAD:

⚠ ADVERTENCIA

Antes de comenzar la instalación, desconecte la energía del panel de servicio y bloquee los medios de desconexión para evitar el accionamiento de la energía de manera accidental. Cuando los medios de desconexión de servicio no pueden bloquearse, coloque sobre el panel de servicio un dispositivo de advertencia bien visible, como una etiqueta.

⚠ ADVERTENCIA

PARA REDUCIR EL RIESGO DE INCENDIO, DESCARGA ELÉCTRICA O LESIONES A PERSONAS, CUMPLA CON LOS SIGUIENTES PUNTOS:

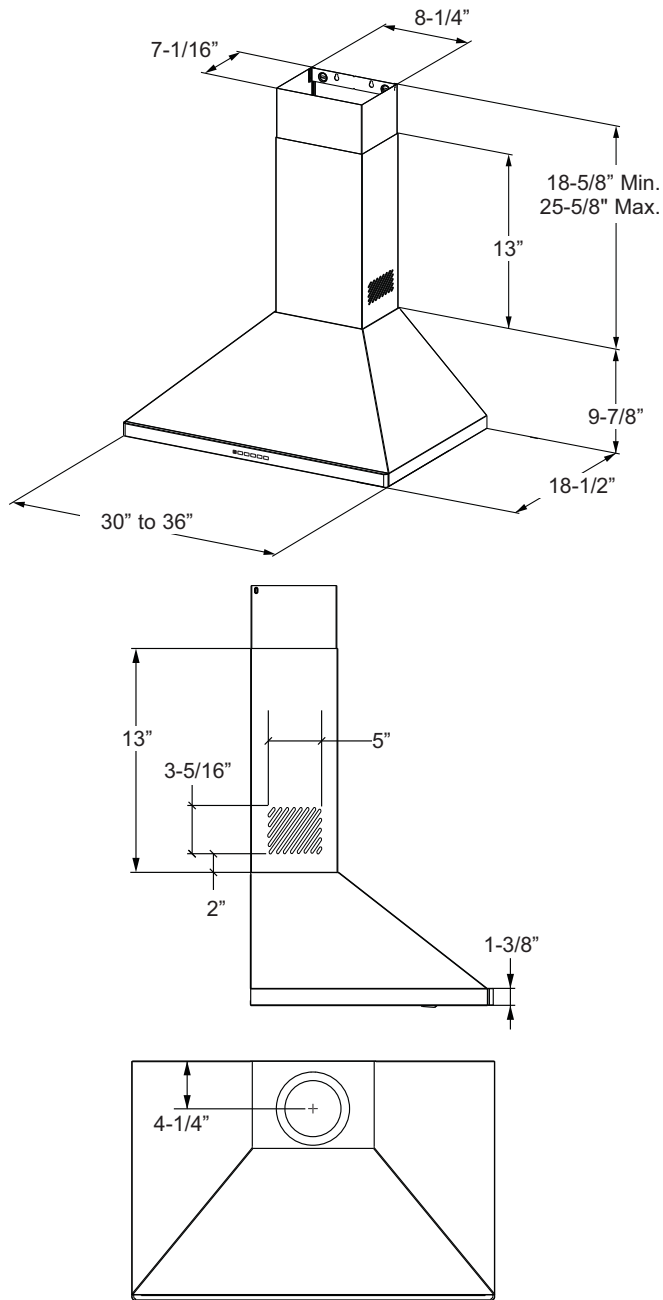
- El trabajo de instalación y el cableado eléctrico deben ser realizados por una persona(s) calificada de acuerdo con todos los códigos y estándares aplicables, incluyendo construcciones resistentes al fuego.
- Es necesario contar con suficiente cantidad de aire para una combustión y salida de gases adecuadas a través del conducto (chimenea) del equipo de consumo de combustible, a fin de evitar ráfagas de aire. Siga las pautas del fabricante del equipo de calefacción y los estándares de seguridad, tales como aquellos publicados por la Asociación Nacional de Protección contra Incendios (National Fire Protection Association, NFPA), la Sociedad Estadounidense para la Calefacción (American Society for Heating), los Ingenieros de Refrigeración y Acondicionadores de Aire (Refrigeration and Air Conditioning Engineers, ASHRAE) y las autoridades de los códigos locales.
- Al cortar o perforar una pared o un cielorraso, no dañe el cableado eléctrico y de otros servicios ocultos.
- Los ventiladores con conducto siempre deben contar con ventilación hacia el exterior.
- Desconecte el disyuntor de habitaciones adyacentes mientras esté trabajando.

⚠ ADVERTENCIA

A FIN DE REDUCIR EL RIESGO DE INCENDIOS, USE SÓLO CONDUCTOS DE METAL.

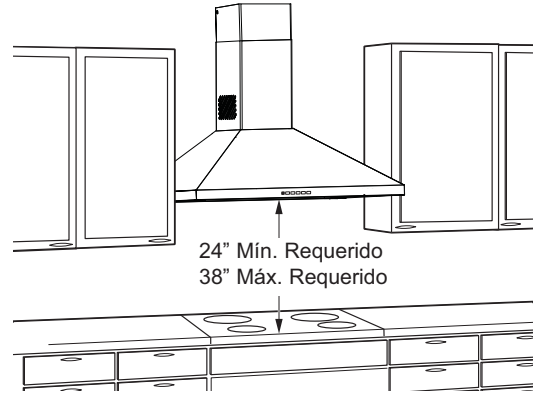
Preparación para la instalación

DIMENSIONES DEL PRODUCTO



ESPACIO DE INSTALACIÓN

Estas campanas de ventilación están diseñadas para ser instaladas en una pared sin gabinetes superiores.



La campana de ventilación debe ser instalada entre el mínimo requerido de 24" y el máximo recomendado de 38" sobre la superficie de cocción. La altura de instalación de la campana sobre la superficie de cocción depende de la altura del cielorraso y las limitaciones de la cubierta del conducto. La cubierta plegable oculta los conductos que van desde la parte superior de la campana hasta el cielorraso. Para las alturas de cielorraso de las cubiertas de conductos, consulte la tabla de la página 5.

NOTA: La altura de instalación debe medirse desde la superficie de cocción hasta la parte más baja de la campana. Puede contar con ventilación hacia el exterior, o puede ser instalada para un funcionamiento con recirculación. Para un funcionamiento con recirculación, consulte la **Planificación para la Instalación con Recirculación**.

Preparación para la instalación

Visite el siguiente link o use el código QR para visualizar el video sobre la instalación del extractor.
<https://www.youtube.com/embed/ilr6VeF0Yuw?rel=0>



PLANIFICACIÓN PREVIA

Planificación para la Instalación con Conducto

- Esta campana está diseñada para ventilarse en forma vertical a través del cielorraso. Use un conducto circular de 6". Utilice codos suministrados en forma local para ventilación horizontal a través de la pared trasera.
- Determine la ubicación exacta de la campana de ventilación.
- Planifique el recorrido de la salida de ventilación hacia el exterior. A fin de maximizar el rendimiento de la ventilación del sistema de ventilación:
 1. Minimice la longitud del conducto y el número de transiciones y codos.
 2. Mantenga un tamaño de conducto constante.
 3. Selle todas las juntas con cinta para conductos a fin de evitar pérdidas.
 4. No utilice conductos flexibles de ningún tipo.
- Instale una cubierta de pared o casquete de techo con un regulador de tiro en la abertura exterior. Solicite por adelantado la cubierta de pared o el casquete de techo y cualquier transición o longitud de conducto necesarios.
- Cuando corresponda, instale un sistema de reposición (reemplazo) de aire de acuerdo con los requisitos del código local de construcción. Para acceder a soluciones de aire disponibles, visite GEAppliances.com.

Planificación de Instalación con Recirculación

Un conducto de recirculación (incluido) y un filtro de carbón (no incluido) son necesarios para la instalación con recirculación.

Planificación del Suministro de Corriente

La ubicación de la conexión del suministro de corriente es indicada en la sección de Preparación de la Pared en la página 7.

SUMINISTRO DE ENERGÍA

IMPORTANTE – (Tenga a bien leer cuidadosamente)

▲ADVERTENCIA

PARA SEGURIDAD PERSONAL, ESTE APARATO DEBE CONECTARSE A TIERRA DE MANERA ADECUADA.

Quite el fusible o abra el interruptor de circuitos antes de comenzar la instalación.

No utilice un cable de extensión o un enchufe adaptador con este artefacto. Siga los Códigos Eléctricos Nacionales o códigos y ordenanzas locales vigentes.

Suministro eléctrico

Estas campanas de ventilación deben contar con un suministro de 120V, 60Hz, deben estar conectadas a un circuito derivado individual con una adecuada conexión a tierra y deben contar con la protección de un interruptor de circuitos o un fusible con retraso de 15 o 20 amperios.

- El cableado debe ser de 2 hilos con conexión a tierra.
- Si el suministro eléctrico no cumple con los requisitos anteriores, llame a un electricista con licencia antes de continuar.
- Dirija el cableado doméstico lo más cerca posible a la ubicación de la instalación, en el cielorraso o pared trasera. Ver página 14 para más detalles.
- Conecte el cableado al cableado doméstico en cumplimiento con los códigos locales.

Instrucciones de conexión a tierra

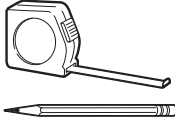
El conductor a tierra debe conectarse a un metal con conexión a tierra, un sistema de cableado permanente o una terminal o conductor de conexión a tierra del equipamiento en la campana.

▲ADVERTENCIA

Una conexión inadecuada del conductor de conexión a tierra del equipamiento puede provocar un riesgo de descarga eléctrica. Consulte a un electricista calificado o representante de servicio técnico si tiene dudas sobre la correcta conexión a tierra del artefacto.

Preparación para la instalación

HERRAMIENTAS Y MATERIALES REQUERIDOS (NO SUMINISTRADOS)



Lápiz y cinta métrica



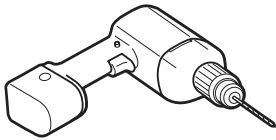
Gafas de seguridad



Nivel



Alicate pelacables



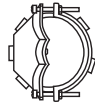
Broca eléctrica con Phillips N° 2 de cabeza plana y broca de 9/32"



Tapones de alambre aprobados por UL



Cinta aislante de aluminio



Alivio de tensión para la caja de conexiones

QUITE EL ENVOLTORIO

⚠ PRECAUCIÓN

Se guantes para protegerse de los bordes afilados.

- Quite las cubiertas de los conductos.
- Quite la bolsa de piezas, el paquete de instrucciones y otras piezas en cajas.
- Quite y descarte adecuadamente el envoltorio plástico de protección y otros materiales de empaque.

PLAN DE INSTALACIÓN

⚠ PRECAUCIÓN

A fin de reducir riesgos de incendios y para que el aire salga de forma apropiada, asegúrese de que el aire sea conducido hacia fuera - No ventile el aire de la salida hacia espacios dentro de paredes o cielorrasos o áticos, espacios muy bajos o garajes.

PIEZAS PROVISTAS PARA LA INSTALACIÓN

- 1 Paquete de Herramientas
- 1 Paquete Escrito

PIEZAS NECESARIAS PARA LA INSTALACIÓN

- 1 Amortiguador de Refuerzo
- Cable de Suministro de Corriente
- Una Tapa de Pared o Techo (para ventilación con conducto únicamente)
- Toda la Tubería Metálica (para ventilación con conducto únicamente)
- Conducto de Recirculación (para instalación con recirculación únicamente)

⚠ ADVERTENCIA

! RIESGO DE LESIONES PERSONALES

Debido al peso y tamaño de la base de la campana extractora. Es recomendable que la campana extractora sea instalada por 2 personas. Si la campana no es elevada de forma correcta, se podrán producir daños sobre el producto o lesiones personales.

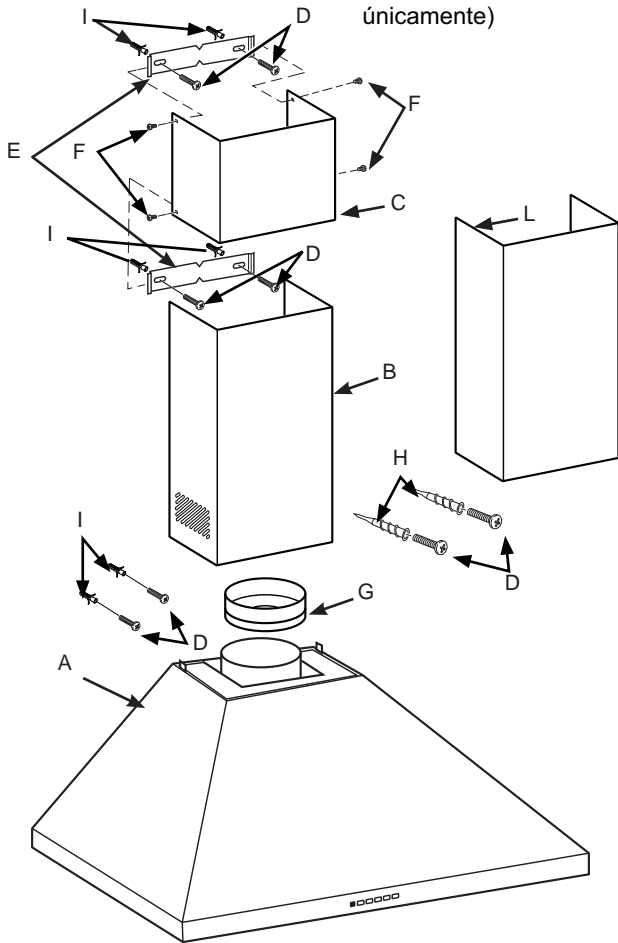
NOTA: Esta campana puede ser instalada con conducto o con recirculación. En una aplicación con conducto, esta campana puede ser ventilada a través de la pared o del cielorraso. Al ser instalada por recirculación, la campana ventila hacia afuera los costados de la cubierta del conducto.

NOTA: Antes de realizar cualquier corte o agujero para la instalación, determine qué método de ventilación será usado y con cuidado calcule todas las medidas.

Preparación para la instalación

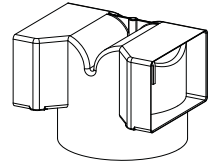
COMPONENTES DE LA CAMPANA EXTRACTORA

- | | |
|--|---|
| A. Sección de la Base | F. Tornillos de la Cubierta del Conducto |
| B. Cubierta del Conducto Inferior | G. Regulador |
| C. Cubierta del Conducto Superior | H. Soportes de Montaje de la Base de la Campana |
| D. Tornillos de Montaje | K. Soportes de la Cubierta del Conducto |
| E. Soportes de Montaje de la Cubierta del Conducto | L. Tapa del Conducto para Cielorrasos Altos (para Modelos de Pizarra únicamente) |

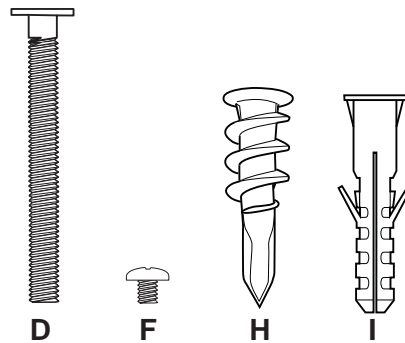


COMPONENTES DE RECIRCULACIÓN

Conducto de Recirculación



COMPONENTES DE LAS HERRAMIENTAS

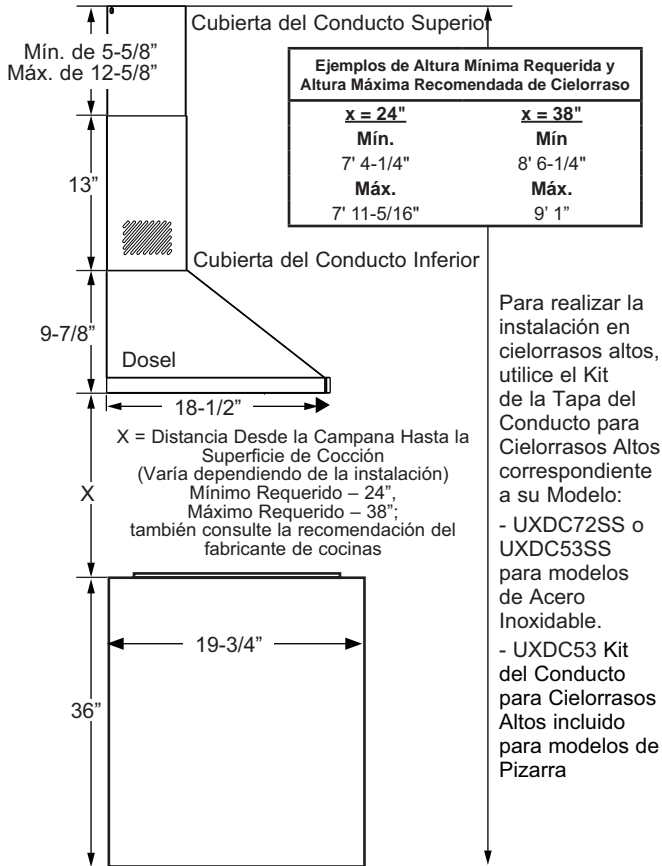


Preparación para la instalación

Consulte la tabla para conocer la altura de instalación máxima, incluyendo las tapas del conducto y el accesorio:

DIMENSIONES DE INSTALACIÓN

Las Chimeneas de Pirámide son ajustables y están diseñadas para adaptarse a diferentes alturas de cielorraso. Las cubiertas de los conductos pueden ser ajustadas para cielorrasos de entre 7' 4 1/4" and 9' 1", dependiendo de la distancia entre la parte inferior de la campana y la superficie de cocción (distancia X).



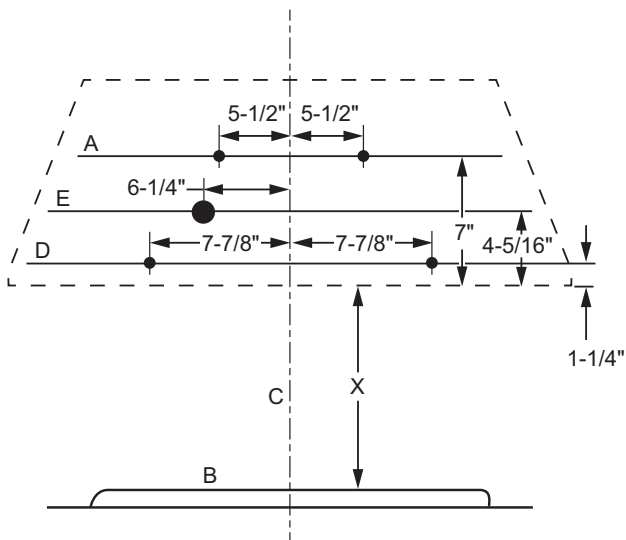
Altura del Cielorraso (Real)	Incluido	UXDC72 (Accesorio)	UXDC53 (Accesorio)
7' 4"			
7' 5"	24"		
7' 6"	24" to 25"		
7' 7"	24" to 26"		
7' 8"	24" to 27"		
7' 9"	24" to 28"		
7' 10"	24" to 29"	24"	
7' 11"	24" to 30"	24" to 25"	
8'	25" to 31"	24" to 26"	
8' 1"	26" to 32"	24" to 27"	
8' 2"	27" to 33"	24" to 28"	
8' 3"	28" to 34"	24" to 29"	
8' 4"	29" to 35"	24" to 30"	
8' 5"	30" to 36"	24" to 31"	
8' 6"	31" to 37"	24" to 32"	
8' 7"	32" to 38"	24" to 33"	
8' 8"	33" to 38"	24" to 34"	
8' 9"	34" to 38"	24" to 35"	
8' 10"	35" to 38"	24" to 36"	
8' 11"	36" to 38"	24" to 37"	
9'	37" to 38"	24" to 38"	24"
9' 1"	38"	25" to 38"	24" to 25"
9' 2"		26" to 38"	24" to 26"
9' 3"		27" to 38"	24" to 27"
9' 4"		28" to 38"	24" to 28"
9' 5"		29" to 38"	24" to 29"
9' 6"		30" to 38"	24" to 30"
9' 7"		31" to 38"	25" to 31"
9' 8"		32" to 38"	26" to 32"
9' 9"		33" to 38"	27" to 33"
9' 10"		34" to 38"	28" to 34"
9' 11"		35" to 38"	29" to 35"
10'		36" to 38"	30" to 36"
10' 1"		37" to 38"	31" to 37"
10' 2"		38"	32" to 38"
10' 3"			33" to 38"
10' 4"			34" to 38"
10' 5"			35" to 38"
10' 6"			36" to 38"
10' 7"			37" to 38"
10' 8"			38"

Preparación para la instalación

PREPARE LA PARED

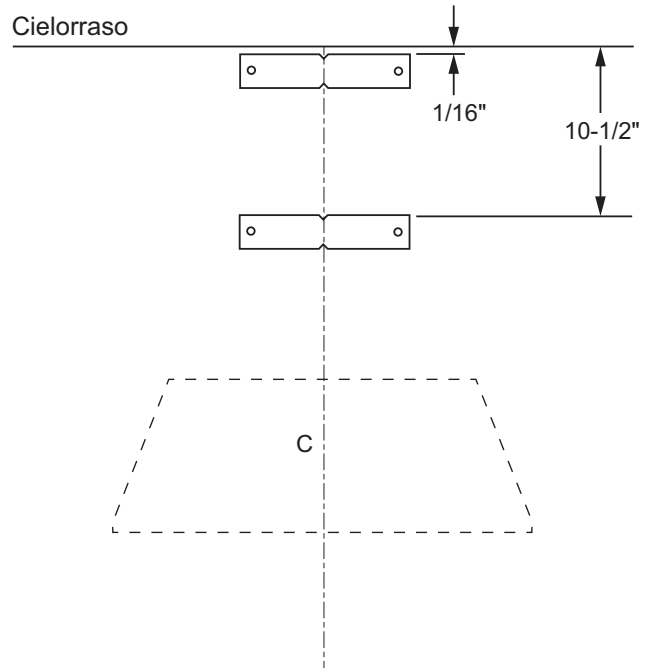
Cuerpo de la Campana y Suministro de Corriente

1. Coloque una cubierta protectora sobre la superficie debajo de la ubicación de la campana, a fin de proteger de la suciedad y/o daños.
2. Determine y marque la línea central sobre la pared (dibuje la línea hacia arriba hasta el cielorraso) donde la campana extractora será instalada. En base a la altura del cielorraso, determine la distancia mínima requerida de 24" y la distancia máxima recomendada de 38" (X), necesarias entre la superficie de cocción (B) y la parte inferior de la campana. A esta distancia, agregue 7" y dibuje una línea horizontal (A) de aproximadamente 24" de longitud centrada sobre la línea central vertical (C).
3. Marque 2 puntos a cada lado de la línea horizontal (A), a 5 1/2" desde la línea central vertical. Agujeree los sostenes de montaje de la parte superior de la pared, donde se encuentran las marcas. Instale los 2 tornillos de montaje en los sostenes, dejando un espacio de 1/4" entre la pared y la parte trasera de la cabeza del tornillo. (Debe colocar el cuerpo de la campana en las cabezas de estos tornillos).
4. Marque una segunda línea horizontal (D) de 1 1/4", agregada desde la distancia X. Marque una tercera línea horizontal (D) de 4 5/16", agregada desde la distancia X.
5. Marque 2 puntos a cada lado de la línea horizontal (D), a 7 7/8" desde la línea central vertical (C). Haga 2 agujeros para la instalación con una broca de 9/32", e inserte los sostenes de la cubierta del conducto.
6. Determine y marque el lugar donde el agujero será perforado para que el cable de suministro de corriente pueda pasar a través de la pared. Marque un punto del lado izquierdo de la línea horizontal (E), a 6 1/4" desde la línea central vertical (C). Haga un agujero de 1 1/4" en esta marca.



Cubiertas de Conductos

1. Coloque uno de los soportes de la cubierta del conducto contra la pared, de modo que su extremo superior esté a 1/16" del cielorraso y que quede nivelado. Alinee las ranuras centrales del soporte con la línea central (C) y marque los centros de los agujeros del soporte. Retire el soporte para perforar 2 agujeros para la instalación con una broca de 9/32", e inserte los sostenes de la cubierta del conducto. Vuelva a colocar el soporte en la pared e instale los 2 tornillos de montaje en los sostenes. Ajuste los tornillos.
2. Coloque el otro soporte de la cubierta del conducto contra la pared, de modo que su extremo superior esté a 10-1/2" del cielorraso y que quede nivelado. Alinee las ranuras centrales del soporte con la línea central (C) y marque los centros de los agujeros del soporte. Retire el soporte para perforar 2 agujeros para la instalación con una broca de 9/32", e inserte los sostenes de la cubierta del conducto. Vuelva a colocar el soporte en la pared e instale los 2 tornillos de montaje en los sostenes. Ajuste los tornillos.



Preparación para la instalación

PREPARE LA CAMPANA PARA SU INSTALACIÓN

1. Retire los filtros de grasa de la unidad y deje los mismos a un lado. Los filtros de grasa son retirados presionando la manija que se encuentra frente al filtro. Al realizar el reemplazo, asegúrese de que los filtros estén correctamente posicionados con las manijas en el frente y visibles.
2. Retire y descarte de forma adecuada el envoltorio protector de plástico de la campana y de los filtros de grasa. Para más opciones de limpieza, consulte el Manual del Propietario.
3. Retire la tapa de la caja de empalmes.



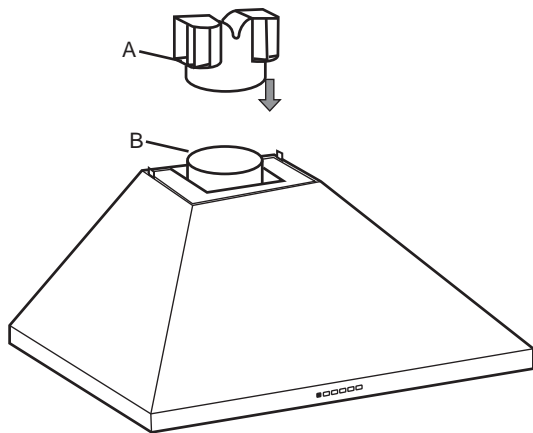
Instalaciones Ventiladas

1. De forma segura, presione el regulador que se encuentra sobre la abertura del escape. Controle que el regulador se pueda abrir libremente.
2. Consulte sobre el Montaje de la Campana en esta sección.

Instalaciones Sin Ventilación (Recirculación)

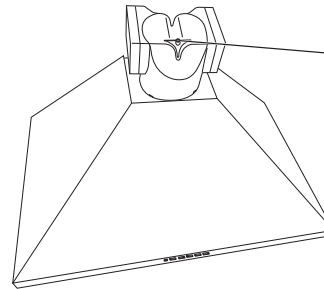
NOTA: Se requiere el conducto de recirculación (incluido) y los filtros de carbón JXCF72 (no incluidos). **El regulador no está instalado en la unidad con instalaciones de recirculación.**

1. Instale el conducto de recirculación (A) (sin conducto suministrado con la campana de ventilación).



Instalaciones sin ventilación (Recirculación) (continúa)

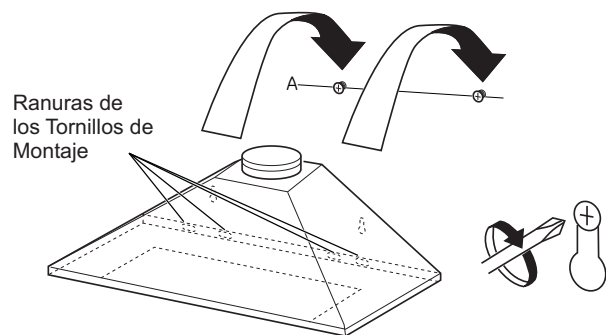
2. Controle que el conducto de recirculación se encuentre en la orientación correcta con el agujero hacia el frente de la campana. Inserte el conducto de recirculación sobre la salida del escape de ventilación (B) y empuje hacia abajo para que coincida con la salida.
3. Consulte sobre el Montaje de la Campana en esta sección.



NOTA: El agujero debe estar enfrentado hacia el frente de la campana.

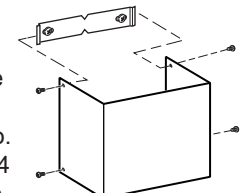
MONTE LA CAMPANA DE LA COCINA PIRÁMIDE

1. Instale el cuerpo de la campana de la cocina, colocando los agujeros de la campana sobre los tornillos del montaje. Conecte el cable de suministro de corriente a través del tablero eléctrico. Ajuste los tornillos de montaje.



2. Inserte 2 tornillos de montaje en los 2 sostenes de la cubierta del conducto (instalados en la línea D en la sección de **Preparación de la Pared**), ubicados en las ranuras de la superficie trasera de la campana. Ajuste de manera firme.
3. Conecte el conducto hogareño al regulador del cuerpo de la campana si se realizó una instalación con un conducto. Selle todas las conexiones con cinta para conducto. **NOTA:** Si se trata de una instalación con recirculación, vaya al Paso 4 y proceda.

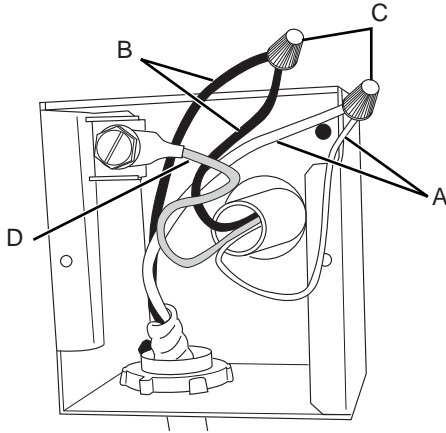
4. Instale la cubierta del conducto superior. Lentamente separe los costados de la cubierta y enganche ambos detrás de los soportes de montaje de la cubierta del conducto. Adhiera la tapa a los soportes con 4 tornillos de la cubierta del conducto.



Preparación para la instalación

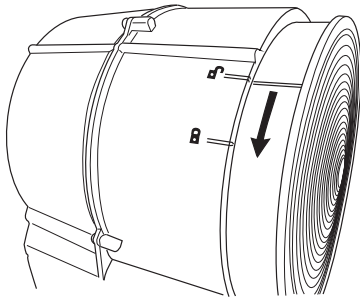
CONEXIÓN ELÉCTRICA

1. Conecte el Cable de Suministro de Corriente a la campana extractora. Conecte el conductor blanco del suministro de corriente al conductor blanco de la campana extractora (A) con una tuerca para cable (C). Conecte el conductor negro del suministro de corriente al conductor negro de la campana extractora (B) con una tuerca para cable (C). Conecte el cable a tierra verde (D) debajo del tornillo de conexión a tierra verde.
2. Reemplace la tapa de la caja de empalmes.



FINALICE LA INSTALACIÓN

1. Sólo para instalaciones de recirculación: Adhiera los **FILTROS DE CARBÓN** (no incluidos) sobre ambos lados del calefactor. Para hacer esto, coloque el lateral del filtro de carbón con las lengüetas contra el costado del calefactor. Alinee las líneas dobles del filtro de carbón con el símbolo "desbloqueado" en el calefactor. Presione y doble hacia abajo hasta que las líneas dobles se alineen con el símbolo "bloqueado" en el calefactor. Repita este proceso del otro lado con el segundo filtro.

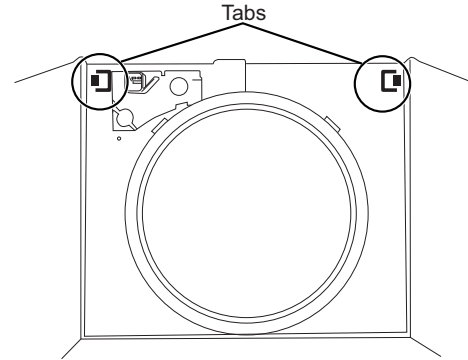


Para instalaciones de recirculación y con conducto:

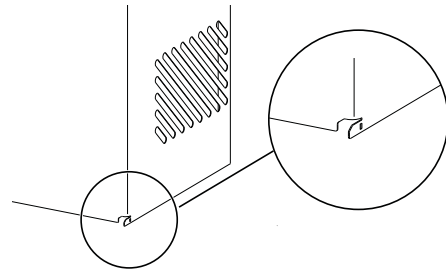
2. Reemplace los filtros de grasa.

FINALICE LA INSTALACIÓN (continúa)

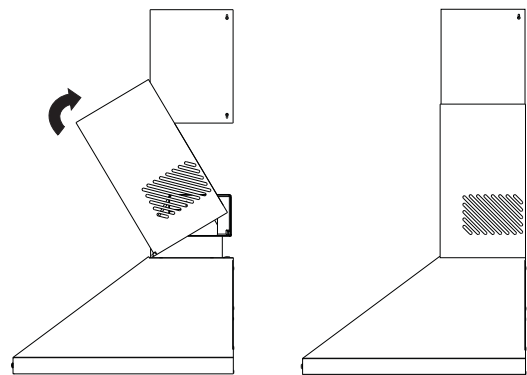
3. Con un destornillador de punta plana, levante las lengüetas sobre el extremo de la parte superior.
4. Para instalar la cubierta del conducto inferior:



- Use un destornillador de cabeza plana para empujar las dos lengüetas hacia delante sobre la tapa del conducto inferior.



- Doble la cubierta del conducto para deslizar las lengüetas debajo del estante del cuerpo de la campana. Apoye la parte trasera de la tapa del conducto sobre la parte superior de la campana de la cocina, entre los extremos y las lengüetas.



5. Encienda el suministro de corriente. Encienda el calefactor y la luz. Si la campana de la cocina no funciona, controle que el disyuntor no se haya activado o que el fusible hogareño esté quemado. Si la unidad aún no funciona, desconecte el suministro de corriente y controle que las conexiones del cableado hayan sido realizadas de forma correcta.

Notas
