

# MONOGRAM BEVERAGE CENTER

ZDBI240HII



## DIGITAL TOUCH CONTROLS

Provide precise temperature settings for cooling all type of beverages, and a LED display allows easy viewing of temperatures

## STORAGE CONVENIENCE

Three removable glass shelves, including a QuickSpace™ shelf, and two full-extension wine racks hold up to 10 wine bottles, as well as 12-ounce cans, quart-size bottles, and two-liter plastic containers

## SOFT INTERIOR LED LIGHTING

Automatically illuminates when the door is open, but can be activated by an internal on/off switch

## FLUSH INSET INSTALLATION CAPABLE

Allows near-seamless integration with surrounding cabinetry

## REVERSIBLE DOOR SWING

Easily reversed to left or right door swing as needed

## CUSTOM-PANEL READY

Lets you coordinate models with cabinetry for a look of elegant understatement. Customer must choose a custom door panel and handle to complement their decor

## SABBATH MODE

Designed to disable functions in accordance with Sabbath-observing practices



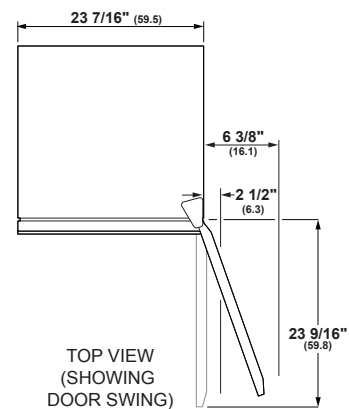
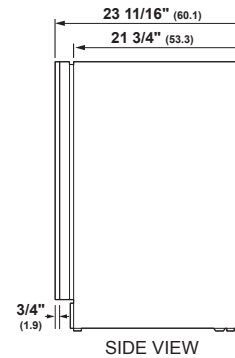
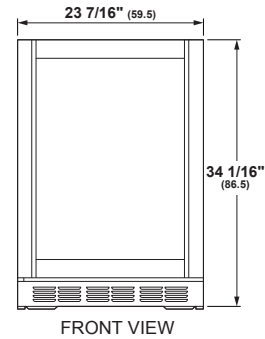
### SPECIFICATIONS

Overall Width	23 7/16" (59.5 cm)
Overall Height	34 1/16" (86.5 cm)
Overall Depth	23 11/16" (60.1 cm)
Door Clearance	6 3/8" (16.1 cm) @ 110° 2 1/2" (6.3 cm) @ 90° 23 9/16" (59.8 cm) door length 3/4" panel
Overall Capacity	5.5 cu. ft.
Minimum Cabinet Width	23 3/4" (60.3 cm)
Minimum Cabinet Depth	24" (61.0 cm)
Cutout Width	23 3/4" (60.3 cm)
Cutout Height	34 1/2" (87.6 cm) Min 35" (88.9 cm) Max
Electrical Requirements	1.2 A
Voltz/Hertz/Amps	120 V, 60 Hz, 15 or 20 amp circuit
Shipping Weight	136 lb (61.5 kg)

### ATTENTION ELECTRICIAN:

A 115 volt 60Hz, 15 or 20 amp power supply is required. An individual properly grounded branch circuit or circuit breaker is recommended. Install a properly grounded 3-prong electrical receptacle recessed into the back wall.

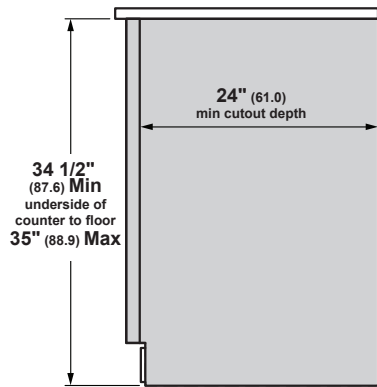
### OVERALL DIMENSIONS



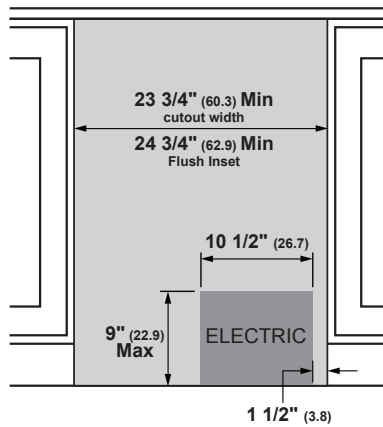
Dimensions in parentheses are in centimeters unless otherwise noted. Actual product dimensions may vary due to manufacturing tolerances.

INSTALLATION

INSTALLATION CUTOUT  
SIDE VIEW

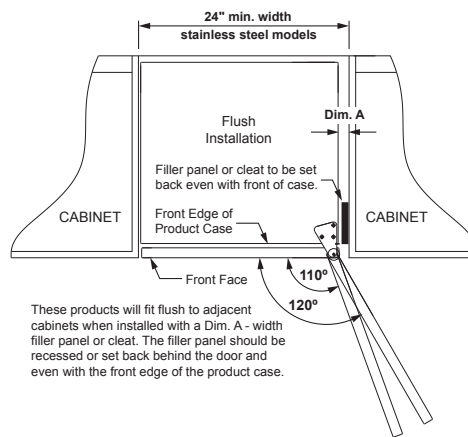
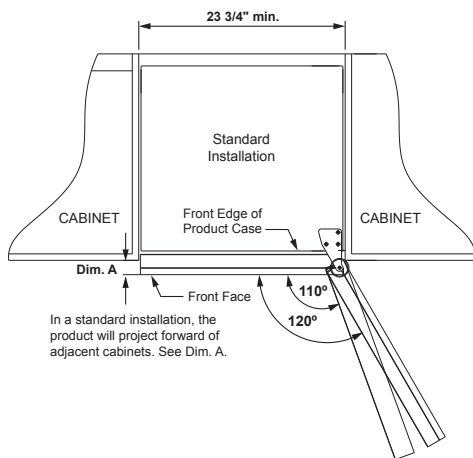


INSTALLATION CUTOUT  
FRONT VIEW



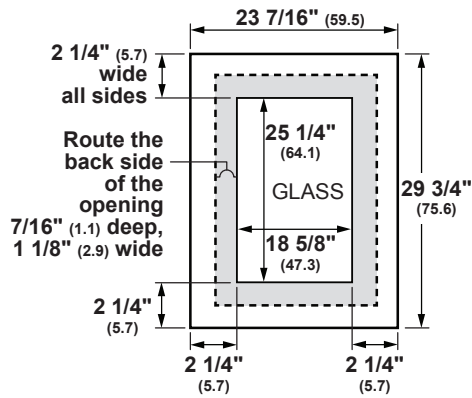
NOTES

- Installation Space  
The Monogram Beverage Center may be installed beneath a countertop or can be used free-standing.

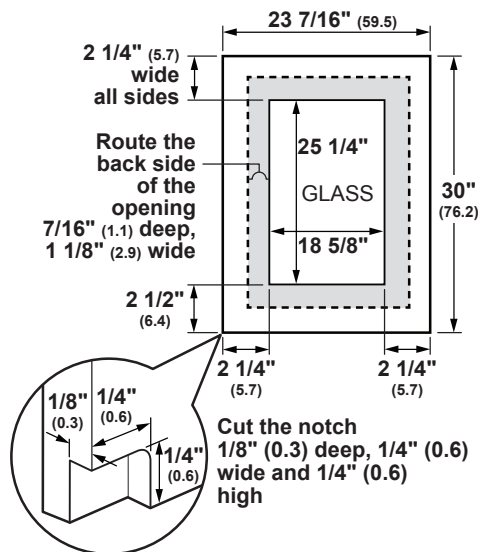


INSTALLATION

CUSTOM PANEL  
(OPTION 1)



CUSTOM PANEL  
(OPTION 2)



NOTES

- There are two options: the panel may be 29-3/4" or 30" high. A 30" panel requires a notch cut into the bottom of the panel to avoid interference with the hinges.

Max. assembled door panel weight is 22 lbs.

NOTE: A solid panel that covers the door glass CANNOT be installed on these models.