

MONOGRAM FRESH-FOOD REFRIGERATOR

ZIFI240HII



DIGITAL TOUCH CONTROLS

Offer a range of temperatures for precise chilling of a variety of fresh foods and beverages, and a LED display allows easy viewing of temperatures

SPACIOUS INTERIOR WITH REMOVABLE SPILLPROOF GLASS SHELVES, QUICKSPACE SHELF AND CLEAR LEXAN CRISPER

Provides a spacious 5.4 cu. ft. capacity that can hold a platter as large as 18" x 18"

SOFT INTERIOR LED LIGHTING

Automatically illuminates when the door is open, but can be activated by an internal on/off switch

CONVENIENT 24" CONFIGURATION

Is fully finished on all sides to allow installation virtually anywhere in the home

FLUSH INSET INSTALLATION CAPABLE

Allows near-seamless integration with surrounding cabinetry

REVERSIBLE DOOR SWING

Easily reversed to left or right door wing as needed

CUSTOM-PANEL READY

Lets you coordinate models with cabinetry for a look of elegant understatement. Customer must choose a custom door panel and handle to complement their décor

SABBATH MODE

Designed to disable functions in accordance with Sabbath-observing practices



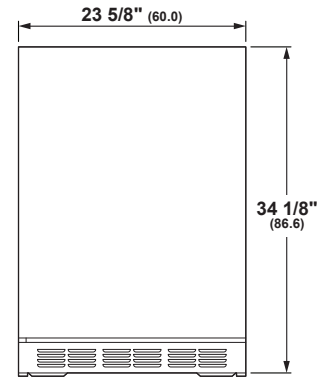
SPECIFICATIONS

Overall Width	23 5/8" (60.0 cm)
Overall Height	34 1/8" (86.6 cm)
Overall Depth	24 1/2" (61.6 cm)
Door Clearance	8 5/16" (21.1 cm) @ 110° 7/16" (1.1 cm) @ 90° 25 1/8" (63.8 cm) door length
Overall Capacity	5.4 cu. ft.
Minimum Cabinet Width	23 3/4" (60.3 cm)
Minimum Cabinet Depth	24" (61.0 cm)
Cutout Width	24" (61.0 cm)
Cutout Height	34 1/2" (87.6 cm) Min 35" (88.9 cm) Max
Electrical	1.0 A
Voltz/Hertz/Amps	120 V, 60 Hz, 15 or 20 amp circuit
Shipping Weight	126 lb (57 kg)

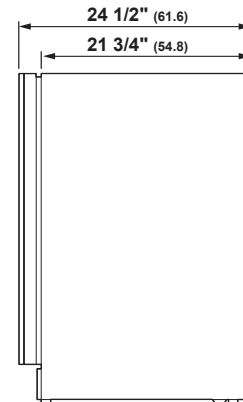
ATTENTION ELECTRICIAN:

A 115 volt 60Hz, 15 or 20 amp power supply is required. An individual properly grounded branch circuit or circuit breaker is recommended. Install a properly grounded 3-prong electrical receptacle recessed into the back wall.

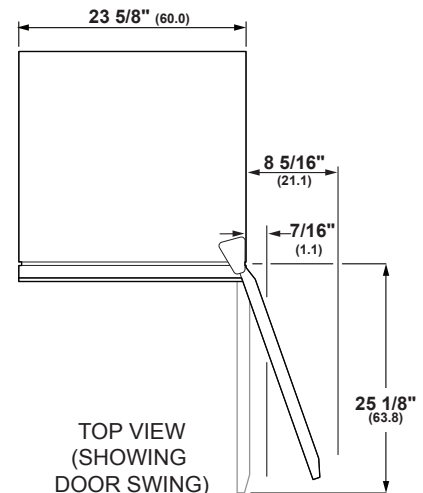
OVERALL DIMENSIONS



FRONT VIEW



SIDE VIEW

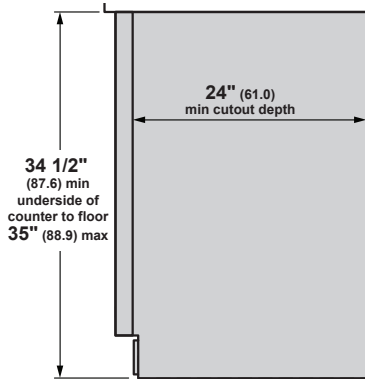


TOP VIEW
(SHOWING
DOOR SWING)

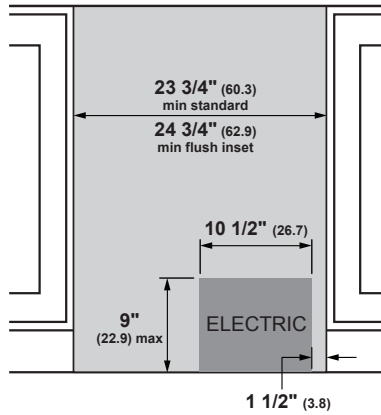
Dimensions in parentheses are in centimeters unless otherwise noted. Actual product dimensions may vary due to manufacturing tolerances.

INSTALLATION

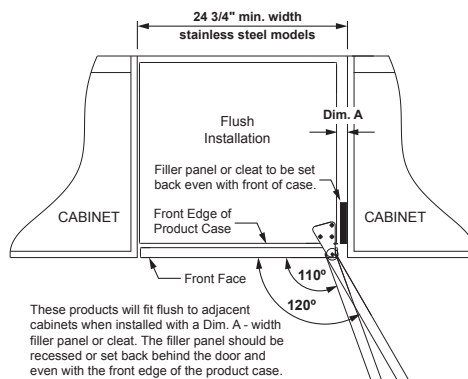
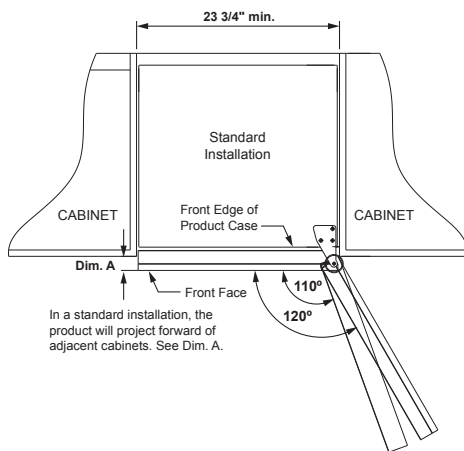
INSTALLATION CUTOUT SIDE VIEW



INSTALLATION CUTOUT FRONT VIEW



REFRIGERATION MODULES, TOP VIEW



PRODUCT	DIM. A
ZDWI240, ZDBI240	2"
ZDWR240, ZDBR240	1-3/4"
ZIFS240, ZIF1240	1-5/8"
ZDOD240	1-7/8"
ZIBI240, ZIBS240	2-5/8"

PRODUCT	DIM. A
ZDWI240, ZDBI240	1"
ZDWR240, ZDBR240	1"
ZIBI240, ZIF1240	1"
ZIFS240, ZIBS240	1/4"
ZDOD240	1-1/4"

NOTES

- Installation Space: This module can be installed beneath a countertop or can be used free-standing.
- For a standard installation of stainless steel unit: The product must be installed so that the front face will project 1-5/8" forward of adjacent cabinets.
- For a flush installation of stainless steel unit: Install a 1" wide filler strip on the hinge side. The width of the opening must be 24-3/4" min. wide. See installation instructions for details.
- Location Requirements: All Monogram Refrigeration Modules may be closed in on the top and sides as long as the front is unobstructed for air circulation and door swing.

Do not install these products where the temperatures will go below 55° F (13 C) or above 90° F (32 C).

Products must operate from separate properly grounded receptacles.

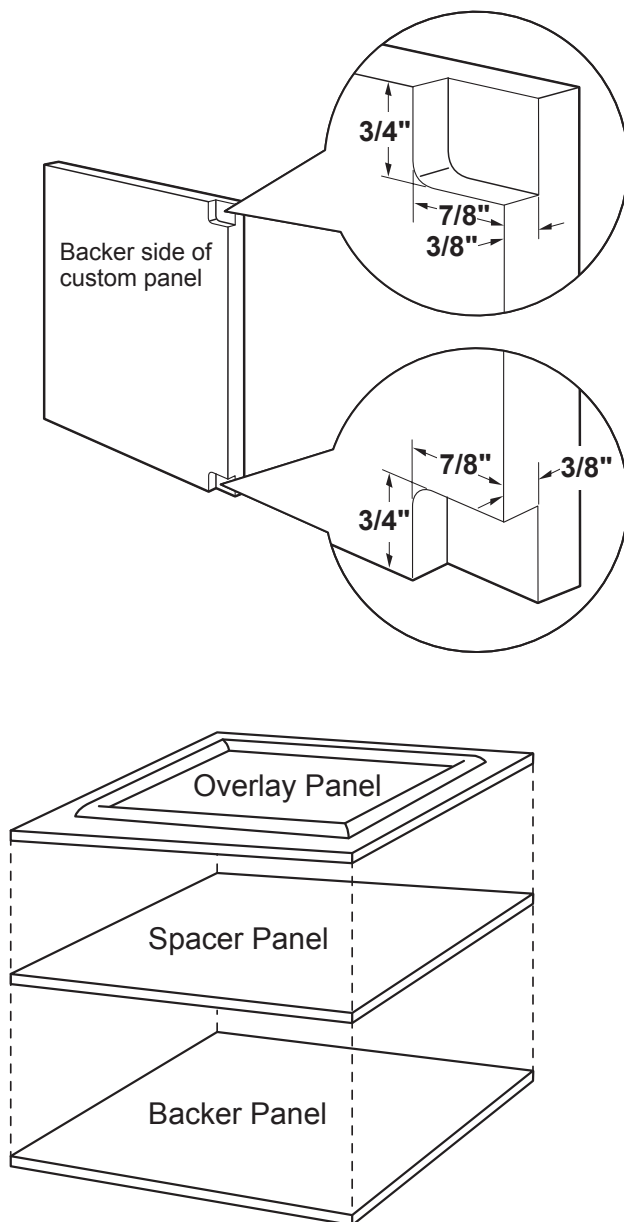
These products are not designed to be stacked one over the other.

See installation instructions for side-by-side information.

**3/4" OVERLAY PANEL DIMENSIONS
(IN INCHES)**

	A (WIDTH)	B (HEIGHT)
1/4" Backer	23 3/16"	29 9/16"
.10" Spacer	22 1/2"	29 1/16"
3/4" Overlay	23 5/8"	30"

Note: Max assembled drawer panel weight is 25 lbs.



NOTES

- Assemble overlay panels with glue and screws
- Center spacer panel on the backer panel, left to right and top to bottom. Secure the panels with glue.
- Center the spacer/bracket panel on the overlay panel. Secure with glue and screws. Countersink screws into the backer panel.
- Max. assembled door panel weight is 25 lbs.
- The overlay panel must be secured to a 1/4"-thick backer panel which slides into the trim. A .10"-thick spacer panel must be placed between the custom and backer panel.
- Use a 3/4" router bit to cut a notch into the back side of the assembled panel to allow for hinge clearance.
- A custom handle of your choice, supplied by your cabinetmaker, must be installed on this overlay panel. Countersink all screws into the backer panel. Screws cannot protrude from the backer panel.