



# INSTALLATION INSTRUCTIONS

## **Double-Drawer Built-In Refrigerator**

# Safety Information


## BEFORE YOU BEGIN

Read these instructions completely and carefully.

- **IMPORTANT** – Save these instructions for local inspector's use. Observe all governing codes and ordinances.
- **Note to Installer** – Be sure to leave these instructions with the Consumer.
- **Note to Consumer** – Keep these instructions with your Owner's Manual for future reference.

If you received a damaged refrigerator, you should immediately contact your dealer or builder.

**Skill Level** – Installation of this refrigerator requires basic mechanical, carpentry and plumbing skills. Proper installation is the responsibility of the installer. Product failure due to improper installation is not covered under the GE Appliance Warranty. See the Owner's Manual for warranty information.

**⚠ WARNING**  **Explosion Hazard.** Keep flammable materials and vapors away from refrigerator. Failure to do so can result in fire, explosion, or death.

**⚠ WARNING** To reduce the risk associated with choking, do not allow children under 3 years of age to have access to small parts during the installation of this product.

For Monogram local service in your area, call 800.444.1845 or visit [monogram.com](http://monogram.com).

For Monogram service in Canada, call 888.880.3030

For Monogram Parts and Accessories, call 800.444.1845 or visit [monogram.com](http://monogram.com).

For Monogram Parts and Accessories in Canada, call 888.880.3030 or visit [monogram.ca](http://monogram.ca).

## CONNECTING ELECTRICITY

**⚠ WARNING**  **Electrical Shock Hazard.**

Plug into a grounded 3-prong outlet.

Do not remove the ground prong.

Do not use an adapter.

Do not use an extension cord.

Failure to follow these instructions can result in death, fire, or electrical shock.

**Do not, under any circumstances, cut or remove the third (ground) prong from the power cord.**

**For personal safety, this appliance must be properly grounded.**

The power cord of this appliance is equipped with a 3-prong (grounding) plug which mates with a standard 3-prong (grounding) wall outlet to minimize the possibility of electric shock hazard from this appliance.

Have the wall outlet and circuit checked by a qualified electrician to make sure the outlet is properly grounded.

Where a standard 2-prong wall outlet is encountered, it is your personal responsibility and obligation to have it replaced with a properly grounded 3-prong wall outlet. Do not use an adapter.

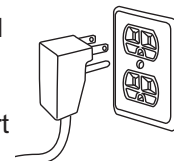
The refrigerator should always be plugged into its own individual electrical outlet which has a voltage rating that matches the rating plate.

A 115 Volt AC, 60 Hz, 15- or 20-amp fused, grounded electrical supply is required. This provides the best performance and also prevents overloading house wiring circuits which could cause a fire hazard from overheated wires.

Never unplug your refrigerator by pulling on the power cord. Always grip plug firmly and pull straight out from the outlet.

Immediately discontinue use of a damaged supply cord. If the supply cord is damaged it must be replaced by a qualified service professional with an authorized service part from the manufacturer.

When moving the refrigerator away from the wall, be careful not to roll over or damage the power cord.



# Consignes de Sécurité

## **⚠ AVERTISSEMENT** Risque d'explosion.

Conservez les matériaux et vapeurs inflammables de votre réfrigérateur. Le non-respect de cette instruction peut entraîner un risque d'incendie, d'explosion ou de décès.

**⚠ AVERTISSEMENT** Pour réduire le risque d'étouffement pendant l'installation de ce produit, ne pas laisser les petites pièces à la portée des enfants âgés de moins de 3 ans.

## BRANCHEMENTS ÉLECTRIQUES

### **⚠ AVERTISSEMENT** Risque d'électrocution.

Branchez l'appareil dans une prise à 3 broches mise à la terre.

N'enlevez pas la broche de mise à la terre.

N'utilisez pas un adaptateur.

N'utilisez pas un cordon de rallonge.

Le non-respect de ces instructions peut entraîner des risques d'incendies, des chocs électriques ou la mort.

**Ne coupez pas ou n'enlevez pas, sous aucun prétexte, la troisième broche de mise à la terre du cordon d'alimentation. Pour des raisons de sécurité, cet appareil doit être correctement mis à la terre.**

Le cordon d'alimentation de cet appareil est équipé d'une fiche à trois broches (pour une mise à la terre) qui s'adapte à la prise de courant standard à 3 broches (pour une mise à la terre) pour minimiser les risques de chocs électriques par cet appareil.

Faites vérifier la prise murale et le circuit électrique par un électricien qualifié pour s'assurer que le système est correctement mis à la terre.

Dans le cas d'une prise biphasée, l'installateur a la responsabilité et l'obligation de la remplacer par une prise triphasée correctement mise à la terre. N'utilisez pas d'adaptateur.

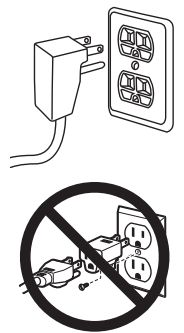
Le réfrigérateur doit toujours être branché à sa propre prise électrique d'une tension nominale correspondant à celle indiquée sur sa plaque signalétique.

Une alimentation électrique à 115 volts CA, 60 Hz, avec un fusible de 15 ou 20 ampères et une mise à la terre est nécessaire. Ceci permet d'obtenir un meilleur rendement et évite de surcharger les circuits électriques du domicile qui risque d'occasionner un incendie en surchauffant.

Ne débranchez jamais le réfrigérateur en tirant sur le cordon d'alimentation. Prenez toujours fermement la fiche en main et tirez pour la sortir de la prise.

Cessez immédiatement l'utilisation d'un cordon électrique endommagé. Si le cordon électrique est endommagé, son remplacement doit être exécuté par un technicien en réparation qualifié au moyen d'un cordon de rechange autorisé par le fabricant.

Lorsque vous éloignez votre réfrigérateur du mur, faites attention à ne pas le faire rouler sur le cordon d'alimentation afin de ne pas l'endommager.



# Important Information

## CONTENTS

### Important Information

Parts Supplied and Required .....	4
Tools, Hardware Required .....	4
Refrigerator Location .....	4

### Design Guide for ZIDI240 and ZIDS240

Installation Space .....	5
Flush and Standard Installation .....	6
Side by Side Installation .....	6
Product Clearances .....	7
Caring For Your Stainless Steel .....	7
Staining Wood Panel Fronts .....	7

### Installation Instructions

Step 1, Remove Packaging .....	9
Step 2, Install Custom 3/4" Drawer Panels and Handles (ZIDI240 model only) .....	8, 9
Step 3, Level .....	10
Step 4, Connect Power .....	10
Step 5, Slide Product into Cutout .....	10
Step 6, Set Temperature Controls .....	10

## ZIDI240 MODEL ONLY

### PARTS REQUIRED

- Custom handles
- Overlay panels
- Spacer panels
- Backer panels
- Screws

### PARTS SUPPLIED

- Drawer side trims
- Optional black or stainless steel toekick

## TOOLS REQUIRED

- Adjustable wrench
- Carpenter's glue (ZIDI240 model only)
- Screwdriver (ZIDI240 model only)

## REFRIGERATOR LOCATION

- Do not install the refrigerator where the temperature will go below 55°F (12.7°C) because it will not run often enough to maintain proper temperatures.
- Do not install the refrigerator where the temperature will go above 100°F (37°C) because it will not perform properly.
- Do not install the refrigerator in a location exposed to water (rain, etc.) or direct sunlight.
- Install it on a floor strong enough to support it fully loaded.

### ⚠ WARNING

#### EXCESS WEIGHT HAZARD

Use two or more people to move and install dual-drawer refrigerator. Failure to do so can result in back or other injury.

### ⚠ AVERTISSEMENT

#### RISQUE DU POIDS EXCESSIF

Utiliser au moins deux personnes pour déplacer et installer le réfrigérateur à deux tiroirs. Le non-respect de cette instruction peut causer une blessure au dos ou d'autre blessure.

### ⚠ WARNING



#### CUT HAZARD

Cabinet edges along stamp/cut-out areas may be sharp. Avoid placing hands, fingers, or other appendages near these areas. Failure to do so can result in cuts.

### ⚠ AVERTISSEMENT



#### Risque de coupure

Les bords de la caisse et les zones comportant un code d'identification ou des découpes peuvent être tranchants. Garder les mains, les doigts ou autres appendices éloignés de ces zones. Le non-respect de cette instruction peut causer des coupures.

**IMPORTANT:** Handle with care when moving dual-drawer refrigerator to avoid either damaging the refrigerant tubing or increasing the risk of a leak.

**IMPORTANT:** When moving the dual-drawer refrigerator, never tilt it more than a 45° angle. This could damage the compressor and the sealed system. If the dual-drawer refrigerator has been placed in a horizontal position for any period of time, wait one hour before plugging in the refrigerator to allow the refrigerant to settle.

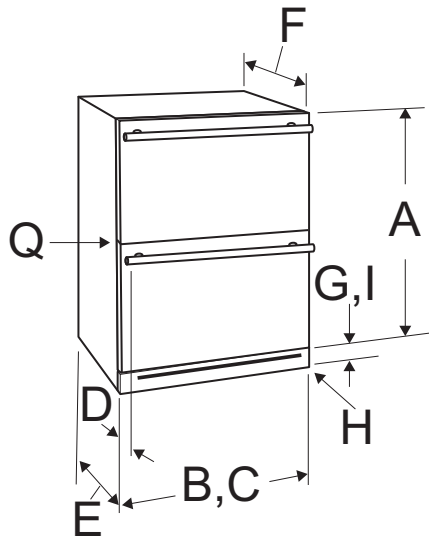
**IMPORTANT :** Manipuler le réfrigérateur à deux tiroirs avec précautions lorsqu'il est déplacé soit pour éviter d'endommager le circuit frigorigène, soit pour diminuer le risque de fuites.

**IMPORTANT :** Lorsque le réfrigérateur à deux tiroirs est déplacé, ne jamais l'incliner à plus de 45°. Cela pourrait endommager le compresseur et le système scellé. Si le réfrigérateur à deux tiroirs a été placé en position horizontale pendant un moment, attendre une heure avant de brancher le réfrigérateur à deux tiroirs pour que le réfrigérant se remette en place.

# Design Guide

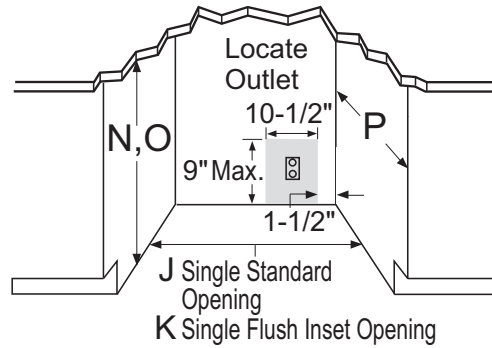
FOR MODELS ZIDI240 AND ZIDS240

## THE INSTALLATION SPACE

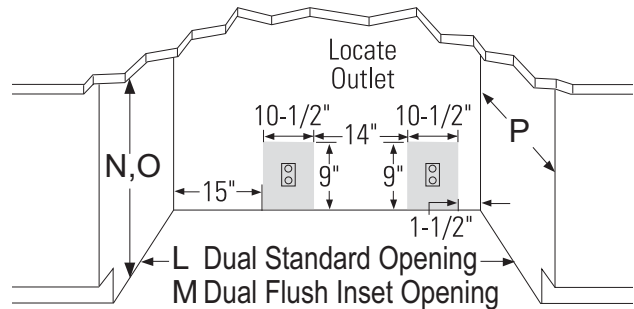


**NOTE:**  
Custom Handles may vary.  
Monogram Handle Depths  
see D-Handle Depth Range.

### SINGLE PRODUCT INSTALLATION



### SIDE BY SIDE PRODUCT INSTALLATION



	Description	Double Drawer Custom ZIDI240 Dimensions	Double Drawer ZIDS240 Dimensions
A	Height (Level leg down) includes hinge	34-5/16" (871 mm)	34-5/16" (871 mm)
B	Width (Including door)	23-5/8" (600 mm)	23-7/16" (596 mm)
C	Width without door	23-7/16" (596 mm)	23-7/16" (596 mm)
D	Handle Depth Range unless Custom Handle	2-1/8", 2-5/8" (54, 66.7 mm)	2-1/8", 2-5/8" (54, 66.7 mm)
E	Depth including Door (& custom panels) without Handle	24-1/2" (622 mm)	23-3/8" (594 mm)
F	Depth without door	21-3/4" (552 mm)	21-3/4" (552 mm)
G	Toe Kick Height (floor to bottom of door)	4" (102 mm)	4" (102 mm)
H	Level Leg Max Adjustment	1" (25 mm)	1" (25 mm)
I	Decorative Toe Kick Part Dimension	23-7/16" W x 3-1/8" H (596 W x 79 H mm)	23-7/16" W x 3-1/8" H (596 W x 79 H mm)
J	Single Standard Opening	23 3/4" (603 mm)	23 3/4" (603 mm)
K	Single Flush Inset Opening	24" (610 mm)	24" (610 mm)
L	Dual Standard Opening	47-1/2" (1207 mm)	47-1/2" (1207 mm)
M	Dual Flush Inset Opening	Not Applicable	48" (1292 mm)
N	Maximum Cabinet Opening Height	35" (889 mm)	35" (889 mm)
O	Minimum Cabinet Opening Height	34.5" (876 mm)	34.5" (876 mm)
P	Cabinet Opening Depth S: Standard, F: Flush Inset	S: 24" (610 mm), F: 25" (635mm)	S: 24" (610 mm), F: 25" (635mm)
Q	Gap between drawers	1/4" (6.4 mm)	9/16" (15 mm)
R	Depth with door open 90 or drawer fully open	42-1/2" (1079 mm)	41-3/8" (1051 mm)
S	Height with top cover (Level leg down)	Not Applicable	Not Applicable

# Design Guide

## FOR MODELS ZIDI240 AND ZIDS240

### THE INSTALLATION SPACE

**IMPORTANT:** Double-Drawer Refrigerators are designed to be built-in only. They cannot be used free-standing. The cutout dimensions allow for full drawer extension.

#### Additional Specifications

- A 120 volt 60Hz., 15 or 20 amp power supply is required. An individual properly grounded branch circuit or circuit breaker is recommended. Install a properly grounded 3-prong electrical receptacle recessed into the back wall as shown. Electrical must be located on rear wall as shown.
- **NOTE:** GFCI (ground fault circuit interrupter) is not recommended.
- Products must operate from separate, properly grounded receptacles.

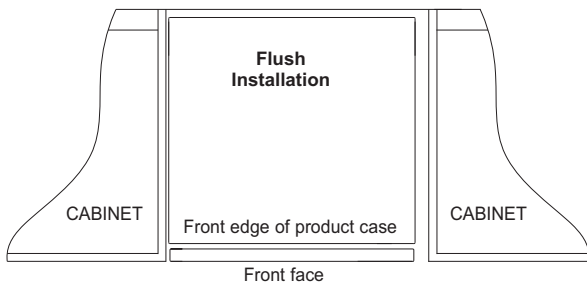
#### Black or Stainless Steel Toekick Options

- These products are shipped with a stainless steel toekick and a black toekick. For shipping purposes, one of the toe kicks will be secured to the back of the unit, and the second will be installed on the unit. Keep the unused toekick and any unused parts for future use.

#### Single Product Installation:

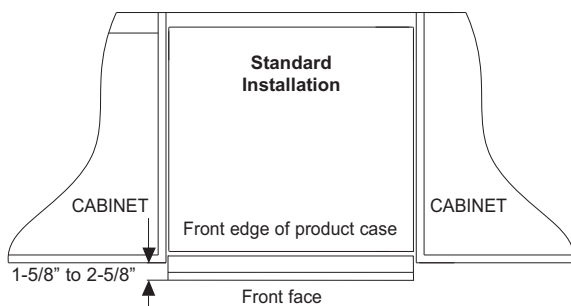
##### For a flush installation ZIDS240 models only

Install the product so the front face will be flush with the adjacent cabinets.



##### For a standard installation

The product must be installed so the front face will project forward of the adjacent cabinets and align to custom cabinet fronts. The distance forward from the adjacent cabinet is typically between the dimensions shown. The opening between cabinets must be a minimum of dimension K.



### SIDE-BY-SIDE INSTALLATIONS

For a complete refreshment center, Install a fresh food refrigerator beside a Double-Drawer refrigerator, Beverage Center, or Wine Chiller/Wine Reserve.

- A side by side installation requires minimum width openings depending on if the product will be flush or standard mounted and if there are stainless or custom panels. See chart below.

Panel	Mount Depth Style	Minimum width Opening
Stainless	Flush	M
Stainless	Standard	L
Custom	Standard (only)	L

**NOTE:** In addition to this manual, reference the installation manual of other appliance to ensure product alignment, allow full door swing, and prevent interference with adjacent cabinetry. Adjacent product door hinge should be located away from the Double-Drawer product to minimize interference.

##### For a flush installation ZIDS240 model only

Install the product so the front face is flush with the adjacent cabinets and adjacent appliance. See chart for minimum cut out width M.

##### For a standard installation

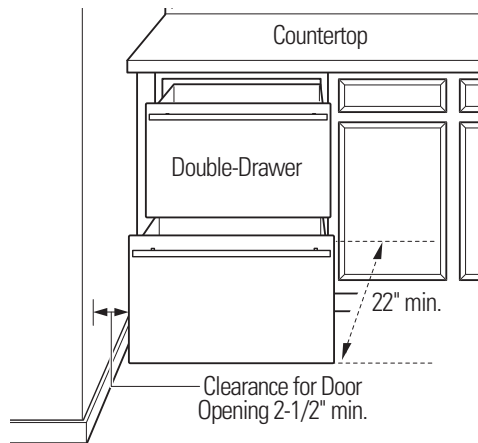
The product must be installed so the front face will project forward of the adjacent cabinets and align to custom cabinet fronts and adjacent appliance. The distance forward from the adjacent cabinet is typically between the dimensions shown. The opening between cabinets must be a minimum of dimension L.

**NOTE:** Gap between units for Stainless is 1/4".  
Gap between units for Custom Panels is 1/2".

# Design Guide

## PRODUCT CLEARANCES ZIDS240

When installed in a corner:



Allow 2-1/2" min. clearance between Double-Drawer and adjacent cabinet, wall or other appliances. Allow 22" min. clearance from the front for drawer opening.

**NOTE:** Clearances are based on the noted 2-1/8" handle standoff depth.

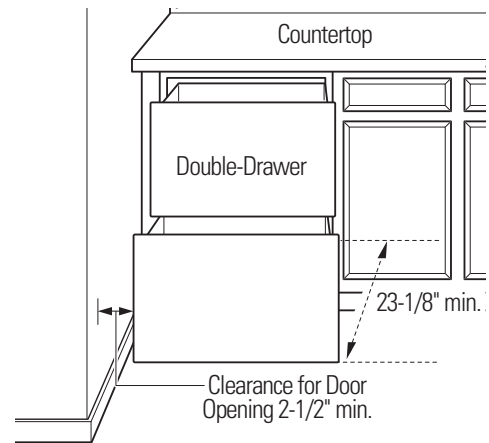
- Test the drawer openings. Carefully open and close the drawers. The drawers should not rub or catch on adjacent cabinetry. Notify the installer if the drawers make contact with cabinetry.

### Choose the location:

- These products may be closed in on the top and three sides as long as the front is unobstructed for air circulation and proper access to the drawers.
- Do not install these products where the temperature will go below 55°F (13°C) or above 100°F (37°C).
- These products are not designed to be stacked one over the other.

## PRODUCT CLEARANCES ZIDI240

When installed in a corner:



Allow 2-1/2" min. clearance between Double-Drawer and adjacent cabinet, wall or other appliances. Allow 23-1/8" min. clearance from the front for drawer opening.

**NOTE:** Custom handle clearances may vary depending on the standoff of the custom handles.

- Test the drawer openings. Carefully open and close the drawers. The drawers should not rub or catch on adjacent cabinetry. Notify the installer if the drawers make contact with cabinetry. **NOTE:** When installing custom panels and handles, use above clearances as a general guide but adjust according to the installation.

### Choose the location:

- These products may be closed in on the top and three sides as long as the front is unobstructed for air circulation and proper access to the drawers.
- Do not install these products where the temperature will go below 55°F (13°C) or above 100°F (37°C).
- These products are not designed to be stacked one over the other.

## CARING FOR YOUR STAINLESS STEEL

- Before installation or first use, we strongly advise that you polish the stainless steel exterior and handle with a commercially available stainless steel cleaner such as Stainless Steel Magic.™ To preserve and protect the fine finish, we also strongly advise that you apply stainless steel cleaner monthly.

## STAINING WOOD PANEL FRONTS

The drawer fronts are unfinished cherry wood. During use, oil from hands may accumulate and stain the wood.

- The drawer fronts may be stained and sealed to match adjacent cabinetry.
- Apply the stain and sealer according to the manufacturer's instructions. To avoid unpleasant odor, keep the door open to ventilate and allow the stain/sealer to dry completely before using the product.

# Installation Instructions

## STEP 1 REMOVE PACKAGING AND INSTALLATION PARTS

- Remove corner blocks and foam drawer stops.
- Remove all packing material, tape and protective plastic coverings.

**⚠ WARNING** Small objects are a choke hazard for children. Remove and discard any parts not used.

**⚠ AVERTISSEMENT** Les petits objets peuvent étrangler les enfants. Il faut jeter toutes les pièces qui ne sont pas utilisées.

### ⚠ WARNING

#### TIP OVER HAZARD



These appliances are top heavy, especially with any doors open, and must be secured to prevent tipping forward which could result in death or serious injury. Read and follow the entire installation instructions for securing the appliance with the anti-tip system.

### ⚠ AVERTISSEMENT

#### RISQUE DE BASCULEMENT



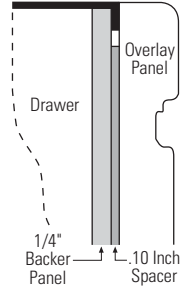
Ces électroménagers sont lourds du haut, notamment lorsqu'une porte est ouverte, de sorte qu'ils doivent être fixés pour prévenir un basculement vers l'avant susceptible d'occasionner des blessures graves ou la mort. Lisez et observez la totalité des instructions d'installation pour connaître la façon de fixer l'électroménager sur le dispositif antibasculement.

## STEP 2 INSTALL CUSTOM 3/4" DRAWER PANELS AND HANDLES (ZIDI240 model only)

### 3/4" Overlay Panel Dimensions

Model ZIDI240 requires field-installed overlay drawer panels.

- The overlay panels must be secured to 1/4" thick backer panels that slide into the trims. A .10" thick spacer panel must be placed between the overlay and backer panels.
- Custom handles of your choice, supplied by your cabinet maker, must be installed on these overlay panels. Countersink all screws into the backer panels. Screws cannot protrude from the backer panels.



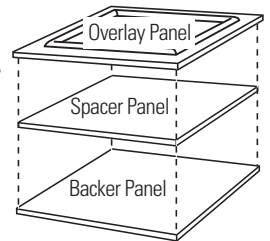
**IMPORTANT NOTE:** Maximum total weight for custom drawer panels are 25 pounds (12-1/2 pounds maximum each drawer).

3/4" Overlay Panel Dimensions (in inches)			
	A (Width)	B (Height)	
1/4" Backer	23-3/16"	14-11/16"	
0.10" Spacer	22-1/2"	14-3/16"	
3/4" Overlay	23-5/8"	15-1/16"	

\*Maintain a 1/4" min. gap between top and bottom drawer panels.

Assemble overlay panels with glue and screws.

- Center spacer panel on the backer panel, left to right and top to bottom. Secure the panels with glue.
- Center the spacer/backer panel on the overlay panel. Secure with glue and screws. Countersink all screws into the backer panel.



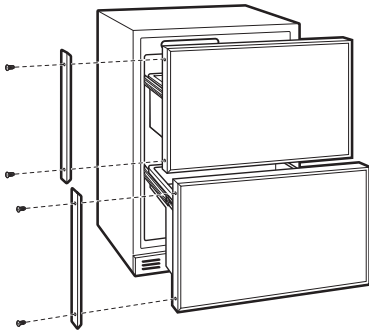


# Installation Instructions

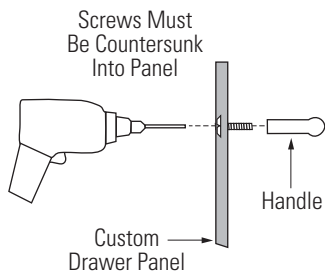
## STEP 2 INSTALL CUSTOM 3/4" DRAWER PANELS AND HANDLES (CONT.) (ZIDI240 model only)

Install custom drawer panels and handles:

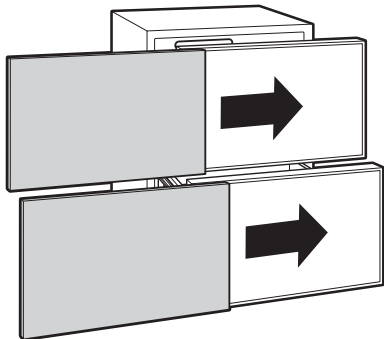
- Open drawers.
- Remove 2 screws holding each trim; lift trims off. Retain screws.



Custom handles of your choice, supplied by your cabinet maker, must be installed onto the overlay panels before they are slid into the trims. Countersink all screws into the backer panels. Screws cannot protrude from the backer panels.

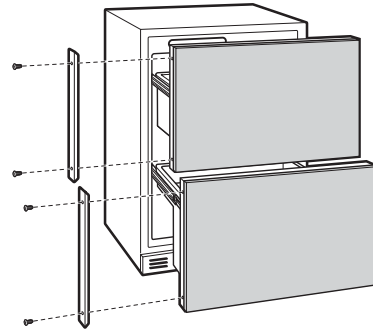


Slide overlay panels into the trims.

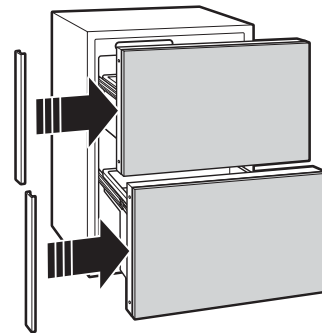


## STEP 2 INSTALL CUSTOM 3/4" DRAWER PANELS AND HANDLES (CONT.) (ZIDI240 model only)

- Reinstall the side trims using the trim screws removed earlier.



- Place the brushed decorative covers over the side trim to hide the screw heads. Ensure side trim is aligned top to bottom and front to back. Snap into place.



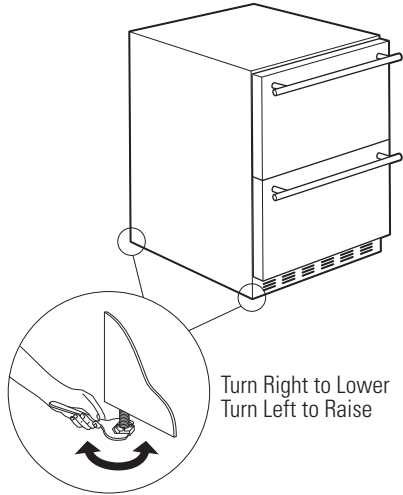
**NOTE:** For shipping purposes, the brushed decorative cover will be secured to the front of the unit.

# Installation Instructions

## STEP 3 LEVEL

Use an adjustable wrench to turn and raise or lower the leveling legs.

- Measure floor to countertop height inside the opening. Adjust leveling legs until the product is approximately 1/8" less than countertop height.



### INSTALLATION TIP:

Measure floor to underside of countertop inside the opening.

- If the room floor is higher than the floor inside the opening, adjust the rear leveling legs to approximately 1/8" less than the opening height. Screw front leveling legs all the way in to shorten the height at the front. This will allow you to slightly tip the unit into the opening. Once the unit is in the correct position, the front legs can be adjusted to level the product.

## STEP 4 CONNECT POWER

- Connect power cord plug to a properly grounded receptacle.
- Check to make sure power is on by opening a drawer to see if interior light turns on.
- The interior fan runs all the time except when a drawer is open.  
See the Owner's Manual for further explanation of the fan.

## STEP 5 SLIDE PRODUCT INTO THE CUTOUT

**NOTICE:** Do not push against the drawer panels with your knees. Do not push or lift the unit by the drawer handles. Damage may occur!

- Open one of the drawers and gently push the unit back into the opening with your hands against the sides. Be careful not to entangle power cord.
- Check again to be sure the unit is level. **Adjust the leveling legs until the unit is resting firmly against the bottom of the counter to prevent rocking or movement during operation.**
- If alignment with adjacent cabinetry is an issue, use a shim to secure the unit against the underside of the countertop.

## STEP 6 SET TEMPERATURE CONTROLS

- The temperature controls are preset. Refer to the Owner's Manual for more information. Allow 12–24 hours for the temperature to stabilize.

**NOTE:** The Double-Drawer Refrigerator operates very quietly. You may not notice the unit running, and when first installed, the fans and motor may not come on immediately – this is normal. If the display is lit and the light is working, the unit is operating.

# Notes

---

**NOTE: While performing installations described in this book, safety glasses or goggles should be worn.**

**NOTE: Product improvement is a continuing endeavor at Monogram. Therefore, materials, appearance and specifications are subject to change without notice.**

