

# MONOGRAM DOUBLE-DRAWER REFRIGERATOR

ZIDI240HII



## DIGITAL TOUCH CONTROLS

Offer a range of temperatures for precise chilling of a variety of fresh foods and beverages, and a LED display allows easy viewing of temperatures

## FULL-EXTENSION SLIDE-OUT REFRIGERATED DRAWERS

Storage for everything from whole melons to 146 12-oz. cans

## SPACIOUS INTERIOR WITH ADJUSTABLE DIVIDERS, FOLD-DOWN SHELF AND REMOVABLE DRAWER BIN

Maximizes useable storage space and flexibility

## SOFT INTERIOR LED LIGHTING

Automatically illuminates when the door is open, but can be activated by an internal on/off switch

## FLUSH INSTALLATION

Allows near-seamless integration with surrounding cabinetry

## CUSTOM-PANEL READY

Lets you coordinate models within cabinetry for a look of elegant understatement. Customer must choose a custom door panel and handle to complement their decor

## SABBATH MODE

Designed to disable functions in accordance with Sabbath-observing practices



### SPECIFICATIONS

Overall Width 23 5/8" (60.0 cm)

Overall Height 34 5/16" (87.1 cm)

Overall Depth 24 1/2" (62.2 cm)

Overall Capacity 5.0 cu. ft.

Minimum Cabinet Width 23 3/4" (60.3 cm)

Minimum Cabinet Depth 24" (61.0 cm)

Cutout Width 23 3/4" (60.3 cm)

Cutout Height 34 1/2" (87.6 cm) Min  
35" (88.9 cm) Max

Electrical Requirements 1.2 A

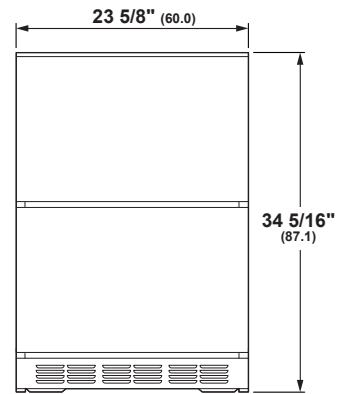
Voltz/Hertz/Amps 120 V, 60 Hz,  
15 or 20 amp circuit

Shipping Weight 158 lb (71.5 kg)

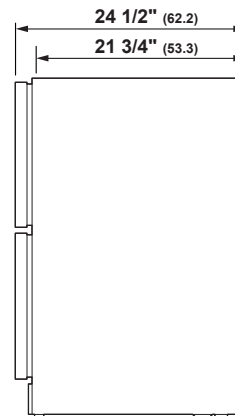
### ATTENTION ELECTRICIAN:

A 115 volt 60Hz, 15 or 20 amp power supply is required. An individual properly grounded branch circuit or circuit breaker is recommended. Install a properly grounded 3-prong electrical receptacle recessed into the back wall.

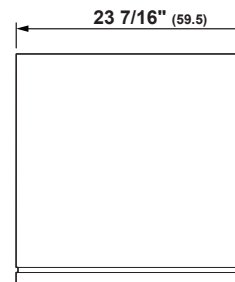
### OVERALL DIMENSIONS



FRONT VIEW



SIDE VIEW

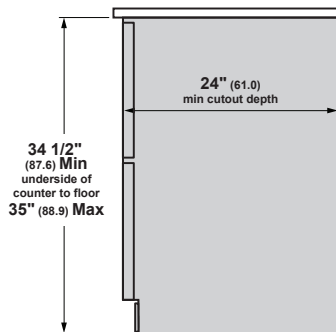


TOP VIEW

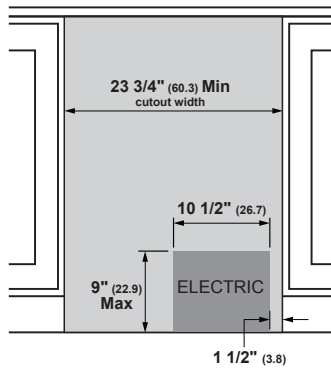
Dimensions in parentheses are in centimeters unless otherwise noted. Actual product dimensions may vary due to manufacturing tolerances.

## INSTALLATION

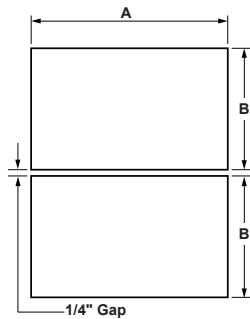
### INSTALLATION CUTOUT SIDE VIEW



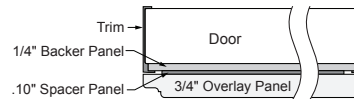
### INSTALLATION CUTOUT FRONT VIEW



## CUSTOM PANELS



CUSTOM PANELS



## 3/4" OVERLAY PANEL DIMENSIONS (IN INCHES)

	A (WIDTH)	B (HEIGHT)
1/4" Backer	23 3/16"	14 11/16"
.10" Spacer	22 1/2"	14 3/16"
3/4" Overlay	23 5/8"	15 1/16"

Note: Max assembled drawer panel weight is 25 lbs.

**IMPORTANT:** Maintain a 1/4" gap between the panels when installed.

## NOTES

- Model can be installed flush with standard cabinetry.
- Designed to be built-in only. Cannot be used free-standing.
- Black vented toekick with optional stainless steel toekick supplied.