



PRACTICAL USER'S GUIDE FOR THE DIMPLEX ELECTRIC FIREPLACE WITH REMOTE CONTROL



Serial Number _____

Model Number _____

CAT Number _____

Quality checked by:

Valued Customer,

We are pleased that you have chosen to purchase an electric fireplace manufactured by Dimplex North America Ltd.

Over the years, valuable memories will occur around the warmth and comfort of your hearth. Thank you for allowing our product to be the backdrop for those special moments.

7204820100REV03

QUICK REFERENCE GUIDE FOR THE DIMPLEX ELECTRIC FIREPLACE

- 1. Before using the electric corner wall mounted fireplace verify:**
 - Are the circuit breakers for the unit on?
 - Are the light bulbs loose? (to check, follow the instructions for replacing the light bulbs under the maintenance section of this manual)
- 2. The heater may emit a slight, harmless odor when first used. This odor is a normal condition caused by the initial heating of internal heater parts.**
- 3. The information regarding the model of your unit can be found on the rating plate located inside the unit on the top left hand corner above the mirror.**
- 4. If you have any questions or concerns regarding the operation of your fireplace, contact Dimplex customer service at 1-888-DIMPLEX (1-888-346-7539).**

CONTENTS

PAGE 1	Important Instructions
PAGE 2	Model and Serial Number Information
PAGE 3	Site selection and preparation
PAGE 5	Fireplace Installation
PAGE 6	Operation
PAGE 9	Maintenance
PAGE 12	Warranty

IMPORTANT INSTRUCTIONS

SAVE THESE INSTRUCTIONS

PLEASE RETAIN THIS USER'S GUIDE FOR FUTURE REFERENCE

When using electrical appliances, basic precautions should always be followed to reduce the risk of fire, electric shock, and injury to persons, including the following:

1. Read all instructions before using the corner wall mounted electric fireplace.
2. The heater is hot when in use. To avoid burns, do not let bare skin touch hot surfaces. The trim around the heater outlet becomes hot during heater operation. Keep combustible materials, such as furniture, pillows, bedding, papers, clothes, and curtains at least 3 feet (0.9m) from the front of the unit.
3. Extreme caution is necessary when any heater is used by or near children or invalids and whenever the unit is left operating and unattended.
4. Always unplug the corner wall mounted electric fireplace when not in use.
5. Do not operate with a damaged cord or plug, or if the heater has malfunctioned, or if the wall mounted electric fireplace has been dropped or damaged in any manner. Return heater to authorized service facility for examination, electrical or mechanical adjustment, or repair.
6. Do not use outdoors.
7. The corner wall mounted electric fireplace is not intended for use in bathrooms, laundry areas and similar indoor locations. Never locate heater where it may fall into a bathtub or other water container.
8. Do not install the fireplace directly on carpet or a similar surface which may restrict air circulation beneath the unit.
9. Do not run the cord under carpeting. Do not cover cord with throw rugs, runners, or the like. Arrange cord away from traffic area and where it will not be tripped over.
10. To disconnect the unit, turn the controls off, then remove the plug from the outlet.
11. Do not insert or allow foreign objects to enter any ventilation or exhaust opening as this may cause an electric shock or fire, or damage to the heater.
12. To prevent a possible fire, do not block air intake or exhaust in any manner. Do not use on soft surfaces, like a bed, where openings may become blocked.
13. All electrical heaters have hot and arching or sparking parts inside. Do not use in areas where gasoline, paint, or flammable liquids are used or stored or where the unit will be exposed to flammable vapors.
14. Do not modify this fireplace. Use it only as described in this manual. Any other use not recommended by the manufacturer may cause fire, electric shock or injury to persons.
15. Avoid the use of an extension cord because the extension cord may overheat and cause a risk of fire. However, if you have to use an extension cord, the cord shall be No.16 AWG minimum size and rated not less than 1875 watts.
16. To reduce the risk of electric shock, this appliance has a polarized plug (one blade is wider than the other). The plug will fit in a polarized outlet only one way. If the plug does not fit fully in the outlet, reverse the plug. If it still does not fit, contact a qualified electrician to install the proper outlet. Do not change the plug in any way. Avoid the use of an extension cord. Extension cords may overheat and cause a risk of fire. If you must use an extension cord, the cord must be No. 16 AWG minimum size and rated no less than 1875 watts.
17. Do not burn wood or other materials in the corner wall mounted electric fireplace.
18. Do not strike the glass front.
19. Always use a certified electrician should new circuits or outlets be required.
20. Always use properly grounded, fused and polarized outlets.
21. Disconnect all power supply before performing any cleaning, maintenance or relocation of the unit.
22. When transporting or storing the unit and cord, keep in a dry place, free from excessive vibration and store so as to avoid damage.

NOTE: Procedures and techniques that are considered important enough to emphasize.

CAUTION: Procedures and techniques which, if not carefully followed, will result in damage to the equipment.

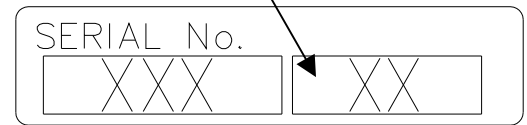
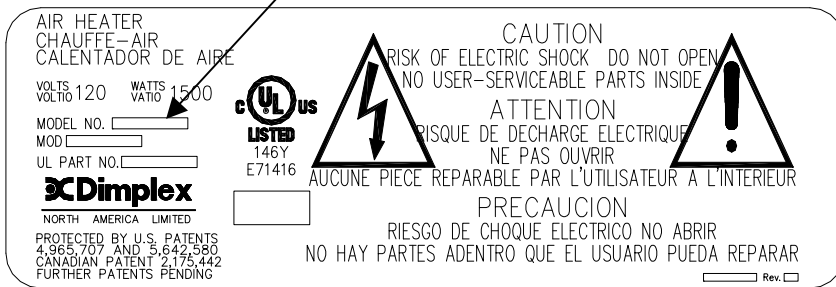
WARNING: Procedures and techniques which, if not carefully followed, will expose the user to the risk of fire, serious injury, illness or death.

IMPORTANT INSTRUCTIONS

If you have any questions about our products please have the product model and serial numbers available upon calling Dimplex customer service. To locate the model and serial number labels see below. Record the Model Number, Serial Number, and CAT number on the front cover of this manual for future reference.

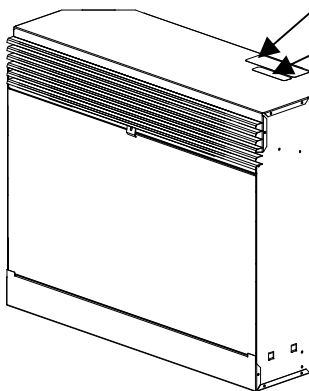
Model Number

Serial Number

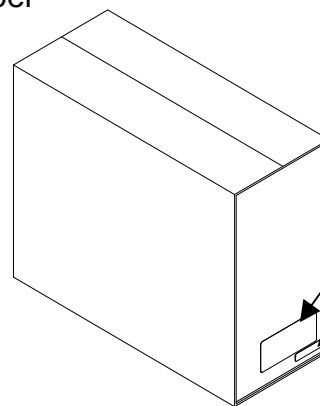


Model Number Label

Serial Number Label



Firebox



Model Number Label

Serial Number Label

Carton

SITE SELECTION AND PREPARATION

This section provides easy step by step instructions for selecting a location and preparing the site to install the fireplace into:

- Existing Fireplace
- New wall construction
- Dimplex mantel surround kit or custom made mantel surround

NOTE

The fireplace insert comes completely assembled and wired. Some tools may be required to prepare the site and assembly/install the trim.

The dimensions of the fireplace insert are 26" wide (66cm) X 22 1/2" high (57.2cm) X 12" deep (30.5cm). (FIGURE 1) You should allow 1/4" (0.6cm) around the fireplace insert for ease of installation.

This fireplace does not require any venting.

CAUTION

Clearance for air circulation beneath the fireplace insert is provided by three rubber feet (FIGURE 1).

DO NOT INSTALL THE FIREPLACE INSERT DIRECTLY ON CARPET OR SIMILAR SURFACES WHICH MAY RESTRICT AIR CIRCULATION. If installing the fireplace in a carpeted area, place a one-piece, solid, flat surface under the fireplace insert. Ensure that all four of the insert's feet rest securely on this surface.

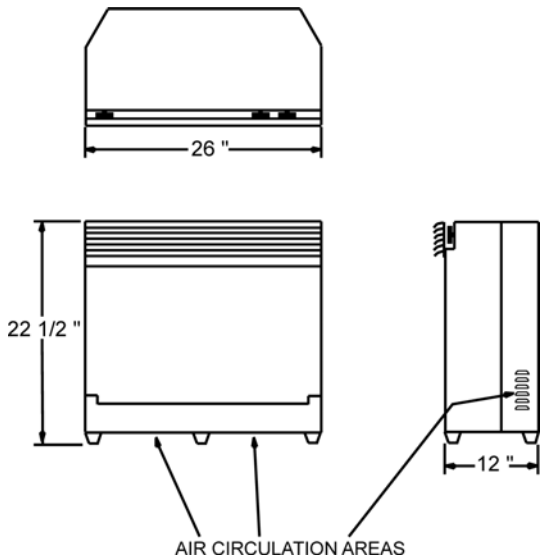


FIGURE 1

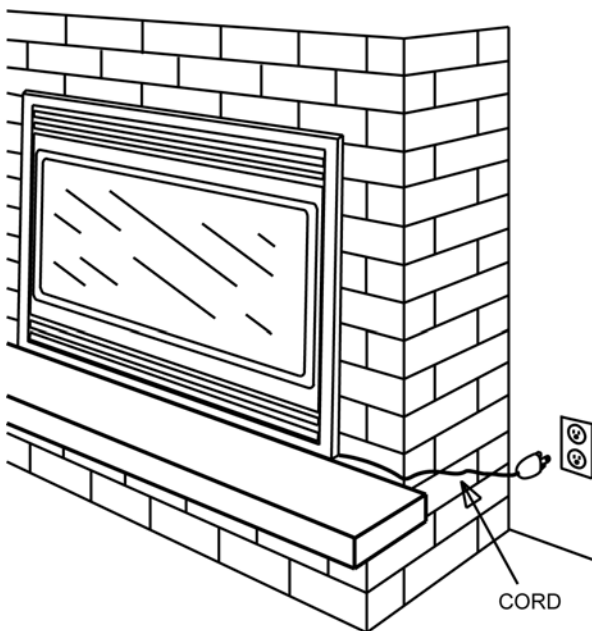


FIGURE 2

EXISTING FIREPLACE INSTALLATION

1. Seal all drafts and vents with non-fibrous insulation materials to prevent chimney debris from falling into the fireplace insert. Do not install into an existing fireplace that is prone to leaks or dampness.
2. Cap the top of the chimney flue to prevent rain from entering.
3. Plan your electrical power supply: (refer to NOTE 1)
4. The power cord can run along the front of the hearth to an outlet near the fireplace (FIGURE 2).

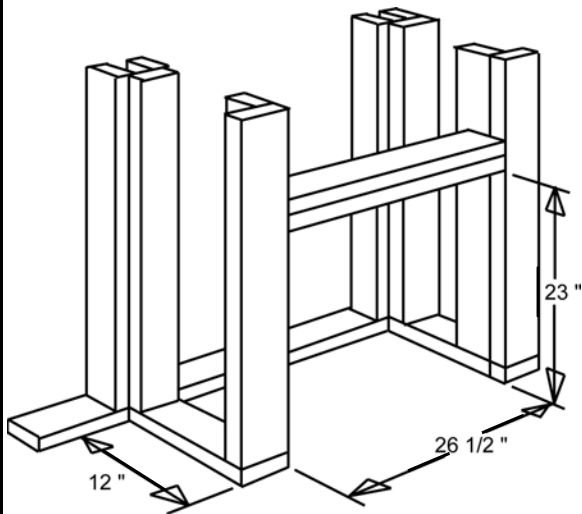


FIGURE 3

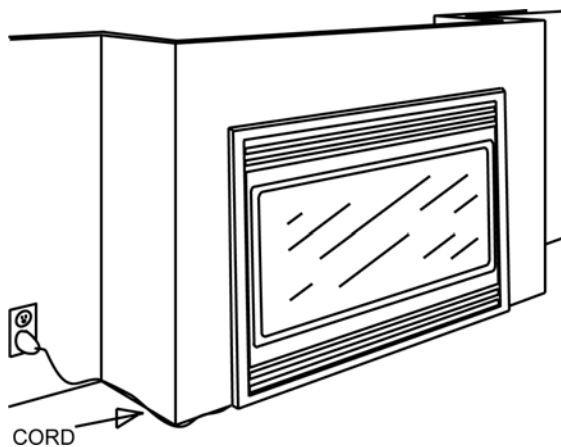


FIGURE 4

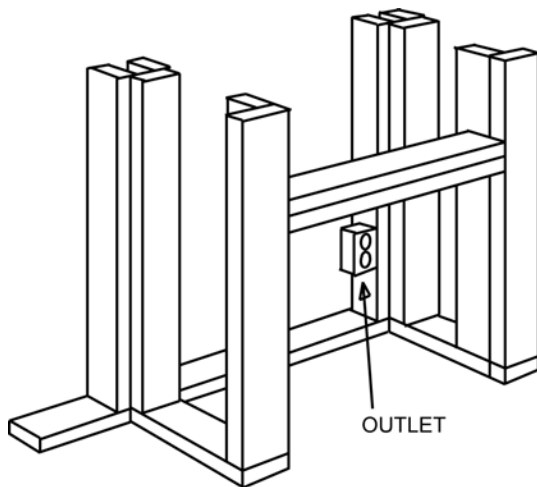


FIGURE 5

NOTE

A 15 AMP, 120 VOLT circuit is required. A dedicated circuit is preferred but not essential in all cases. A dedicated circuit will be required if, after installation, the circuit breaker trips or fuse blows on a regular basis when the heater is operating. Additional appliances on the same circuit may exceed the current rating of the circuit breaker.

WARNING

To prevent personal injury you should hire a professional to cap the chimney flue or cut a hole in the existing fireplace for wiring. If you return your existing fireplace to its original use (Example wood burning), it should be inspected by the local building department prior to use to reduce the risk of fire and personal injury.

NEW WALL CONSTRUCTION

1. Select a suitable location that is not susceptible to moisture and is away from drapes, furniture and high traffic.

NOTE

The fireplace insert must be installed on a hard surface.

2. Place the fireplace in the desired location to see how it will look in the room.
3. Mark the desired location on the floor and store the fireplace in a safe, dry and dust free location.
4. Use studs to frame an opening of 26 1/2" wide X 23" high (67.3cm wide X 58.4cm high) allowing a depth of 12" (30.5cm).
5. Plan your electrical power supply. (refer to NOTE 1)

Option #1 - The power cord can be lead from behind the trim and along the wall to an outlet near the fireplace. (FIGURE 4)

Option #2 - A new outlet can be installed inside the new frame construction. (if allowed by electrical code). (FIGURE 5)

WARNING

Construction and Electrical Outlet wiring must comply with local building codes and other applicable regulations to reduce the risk of fire, electrical shock and injury to persons.

MANTEL SURROUND KIT OR CUSTOM MADE MANTEL SURROUND

1. Select a suitable location that is not susceptible to moisture and is away from drapes, furniture and high traffic.
2. Place the fireplace in the desired location to see how it will look in the room.
3. For ease of electrical hook up you may wish to locate the fireplace near an existing outlet. (refer to NOTE 1)
4. Store the fireplace in a safe dry and dust free location.
5. Assemble the mantel surround kit (refer to the mantel assembly instructions) or construct the custom surround with an opening of 26 ½" wide X 23" high (67.3cm wide X 58.4cm high) allowing a depth of 12" (30.5cm).

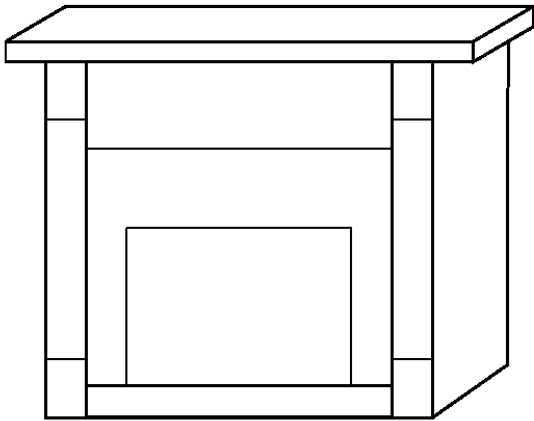


FIGURE 6

WARNING

Do not attempt to wire your own new outlets or circuits. To reduce the risk of fire, electric shock or injury to persons, always use a licensed electrician.

FIREPLACE INSERT INSTALLATION

This section provides easy step by step instructions for installation of your fireplace.

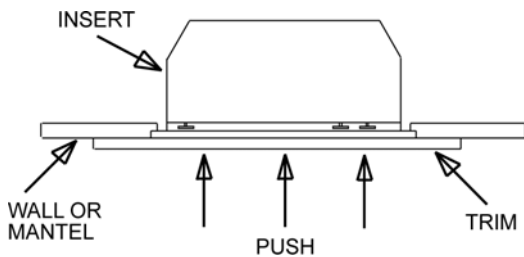


FIGURE 7

1. Install Trim Kit to front of fireplace by positioning trim then pushing straight forward against the fireplace.
2. Make sure the unit is switched OFF (Refer to operating instruction section).
3. Plug the fireplace into a 15AMP/120Volt outlet. If the cord does not reach you may use a extension cord rated for a minimum of 1875 WATTS.
4. Push the Fireplace into place so that the trim is against the finished Mantel Surround or wall surface. (FIGURE 6)
5. Level, if required with wood shims (not included) (FIGURE 7).

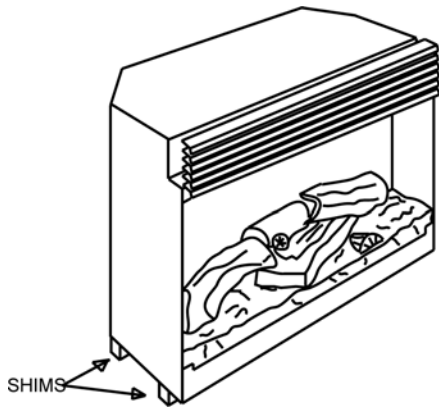


FIGURE 8

WARNING

Ensure the power cord is not installed so that it is pinched or against a sharp edge and ensure that the power cord is stored or secured to avoid tripping or snagging to reduce the risk of fire, electric shock or injury to persons.

OPERATION

This section will explain the function of each convenient control.

1. To access the controls, open the upper grill by pulling, near the top right hand side, forward and down. (FIGURE 9)
2. To locate controls refer to FIGURE 10.
3. To conceal the controls during the operation, return the grill to its original upright position.

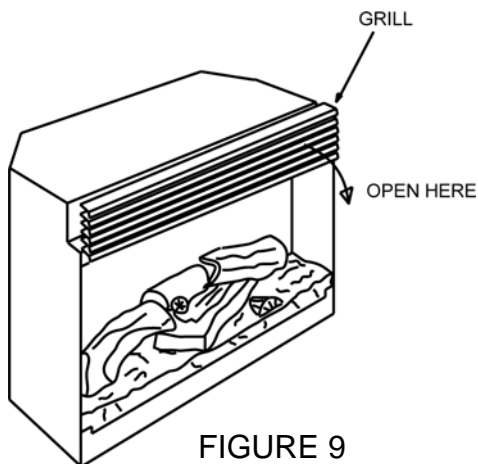


FIGURE 9

WARNING

The centre and left hand side of the grille will get hot when the heater is operating. Take care to always grasp the grille on the right hand side.

A. MAIN ON/OFF SWITCH

The ON/OFF SWITCH supplies power to all fireplace functions (Heater/Flame).

B. FLAME ACTION CONTROL

Turn the flame action control knob to adjust the flame speed to the desired level.

C. INTERIOR LIGHT CONTROL

Turn the interior light control knob to increase or decrease the brightness of the interior light.

D. HEATER CONTROL SWITCH

Turn heater on or off.

E. HEATER THERMOSTAT CONTROL

To adjust the temperature to your individual requirements, turn the thermostat control clockwise all the way to turn on the heater. When the room reached the desired temperature, turn the thermostat knob counter clockwise until you hear a click. Leave in this position to maintain the room temperature at this setting. For additional heat, turn clockwise until you hear the click again and the heater will turn on.

NOTE

The heater may emit a slight, harmless odor when first used. This odor is a normal condition caused by initial heating of internal heater parts and will not occur again.

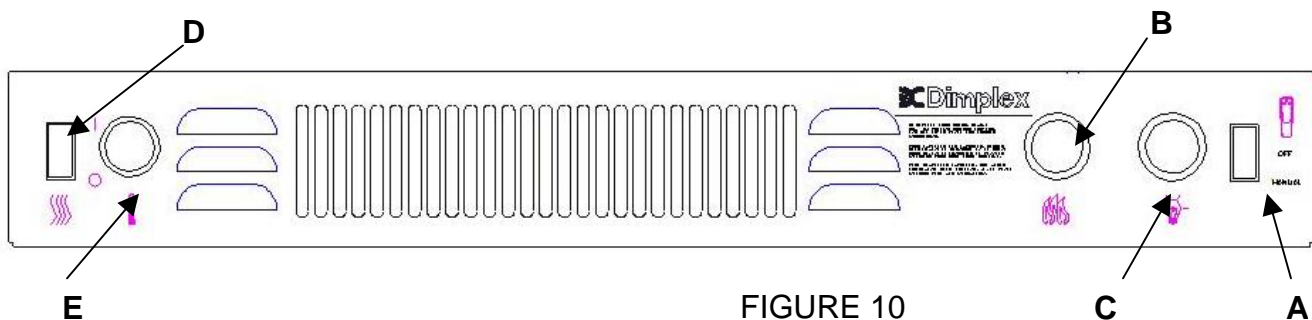


FIGURE 10

RESETTING THE TEMPERATURE CUTOFF SWITCH

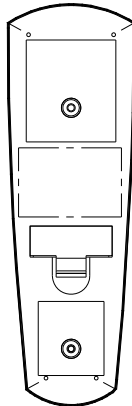
This unit is equipped with a thermostat which controls the temperature of the room. It does this by turning the heater on and off. The heater is protected with a safety device to prevent overheating. Should the heater overheat, an automatic cut out will turn the heater off and it will not come back on without being reset. It can be reset by switching the main ON/OFF SWITCH to OFF and waiting 5 minutes before switching the unit back on.

CAUTION

If you need to continuously reset the heater, unplug the unit and call your local dealer.

REMOTE CONTROL USAGE

The fireplace is supplied with a radio frequency remote control. This remote control has a range of approximately 50 feet. (15.25m), it does not have to be pointed at the fireplace and can pass through most obstacles (including walls). It is supplied with one of 243 independent frequencies to prevent interference with other units. The frequency designation is indicated on the back of the transmitter.



MAINTENANCE

WARNING

Disconnect power before attempting any maintenance or cleaning to reduce the risk of fire, electric shock or damage to persons.

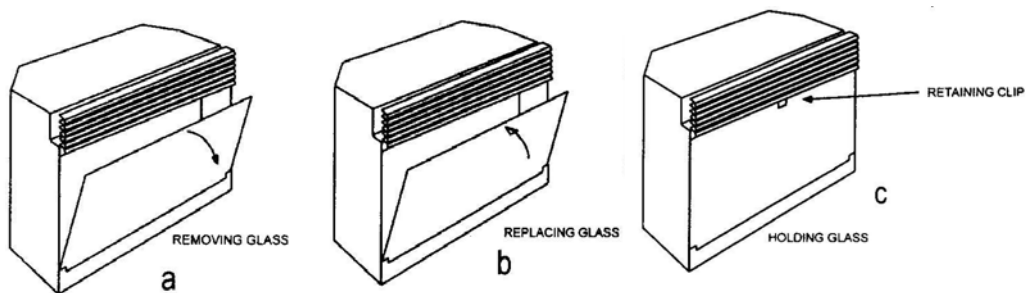
LIGHT BULB REPLACEMENT

WARNING

Allow at least 5 minutes for light bulbs to cool off before touching bulbs to avoid accidental burning of skin.

Light bulbs need to be replaced when you notice a dark section of the flame or when the clarity and detail of the log exterior disappears. There are two bulbs at the top of the opening which illuminate the log set exterior, and four bulbs under the log set which generate the flames and embers.

Tool Requirements: Slot Screw Driver



NOTE

Before replacing lamps unnecessarily, ensure that they are not simply loose or that the brightness control is not adjusted to low setting (see item D in operation section).

To open the light bulb area:

1. Remove the trim by pulling straight forward.
2. Hold the glass in place while removing the retaining clip from the upper center of the firebox.
3. Lift glass out and store in a safe place.

CAUTION

Even though the glass is safety glass it may break if bumped, struck or dropped. Care must be taken when handling the glass.

HELPFUL HINTS

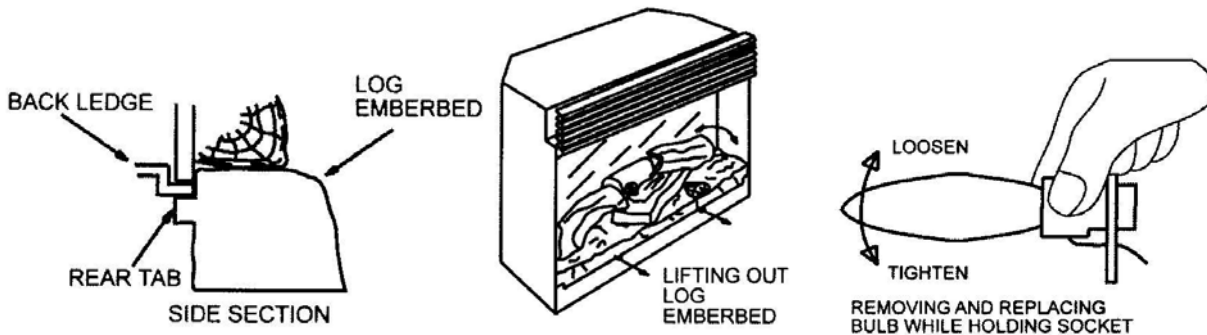
It is a good idea to replace all light bulbs at one time if they are close to the end of their rated life. Group replacement will reduce the number of times you need to open the unit to replace light bulbs.

To replace the bottom light bulbs:

1. lift up the front edge of the log until it clears the front tabs. Pull out until the rear tab clears the back ledge, then lift out.
2. Examine the bulbs to determine which bulbs require replacement.
3. Hold the socket while unscrewing the bulb
4. Hold the socket while screwing in the new bulb.
5. Replace the log by pushing it down and in until it rests against the mirror.

LOWER LIGHT BULB REQUIREMENTS

Quantity of 4 clear chandelier or candelabra bulbs with an E-12 (small) socket base, 60 watt rating.

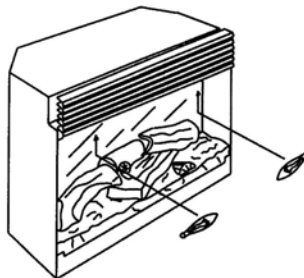


CAUTION

Do not exceed 60 watts per lamp.

To replace the top light bulbs:

1. Locate the two upper bulbs inside the firebox at the top.
2. Examine the bulbs to determine which bulbs require replacement.
3. Hold the socket while unscrewing the bulb
4. Hold the socket while screwing in the new bulb.



UPPER LIGHT BULB REQUIREMENTS

Quantity of 2 clear chandelier or candelabra bulbs with an E-12 (small) socket base, 15 watt rating. Please refer to the label adjacent to the upper lamps for the correct wattage for your model.

CAUTION

Do not exceed 25 watts per lamp.

To reassemble lamp area

1. Replace the glass and hold it in place at the top.
2. Fasten retaining clip to hold glass in place.

HELPFUL HINTS

It is a good idea to replace all light bulbs at one time if they are close to the end of their rated life. Group replacement will reduce the number of times you need to open the unit to replace light bulbs.

GLASS CLEANING

The glass is cleaned in the factory during the assembly operation. During shipment, installation, handling, etc., the clear door may collect dust particles; these can be removed by dusting lightly with a clean dry cloth.

To remove fingerprints or other marks, the clear door can be cleaned with a damp cloth. The clear door should be completely dried with a lint free cloth to prevent water spots.

CAUTION

Do not use abrasive cleaners on glass surface or spray liquids directly onto any surface.

FIREPLACE SURFACE CLEANING

Use a cloth dampened with warm water only to clean painted surfaces of the electric fireplace. Do not use abrasive cleaners.

TWO YEAR LIMITED WARRANTY

Products to which this limited warranty applies

This limited warranty applies to the following models of your newly purchased Dimplex electric fireplace **6901181300** and to newly purchased Dimplex fireplace surrounds (mantels) and trims. This limited warranty applies only to purchases made in any province of Canada *except* for Yukon Territory, Nunavut, or Northwest Territories or in any of the 50 States of the USA (and the District of Columbia) *except* for Hawaii and Alaska. This limited warranty applies to the original purchaser of the product only and is not transferable.

Products excluded from this limited warranty

Light bulbs are not covered by this limited warranty and are the sole responsibility of the owner/purchaser. Products purchased in Yukon Territory, Nunavut, Northwest Territories, Hawaii, or Alaska are not covered by this limited warranty. Products purchased in these States, provinces, or territories are sold AS IS without warranty or condition of any kind (including, without limitation, any implied warranties or conditions of merchantability or fitness for a particular purpose) and the entire risk of as to the quality and performance of the products is with the purchaser, and in the event of a defect the purchaser assumes the entire cost of all necessary servicing or repair.

What this limited warranty covers and for how long

Products, other than fireplace surrounds (mantels) and trims, covered by this limited warranty have been tested and inspected prior to shipment and, subject to the provisions of this warranty, Dimplex warrants such products to be free from defects in material and workmanship for a period of 2 years from the date of the first purchase of such products.

Dimplex fireplace surrounds (mantels) and trims covered by this limited warranty have been tested and inspected prior to shipment and, subject to the provisions of this warranty, Dimplex warrants such products to be free from defects in material and workmanship for a period of 1 year from the date of first purchase of such products.

The limited 2 year warranty period for products other than fireplace surrounds (mantels) and trims and the limited 1 year warranty period for fireplace surrounds (mantels) and trims also applies to any implied warranties that may exist under applicable law. Some jurisdictions do not allow limitations on how long an implied warranty lasts, so the above limitation may not apply to the purchaser.

What this limited warranty does not cover

This limited warranty does not apply to products that have been repaired (except by Dimplex or its authorized service representatives) or otherwise altered. This limited warranty does further not apply to defects resulting from misuse, abuse, accident, neglect, incorrect installation, improper maintenance or handling, or operation with an incorrect power source.

What you must do to get service under this limited warranty

Defects must be brought to the attention of Dimplex Technical Service by contacting Dimplex at 1-888-[DIMPLEX](tel:1-888-346-7539) (1-888-346-7539), or 1367 Industrial Road, Cambridge Ontario, Canada N1R 7G8. Please have proof of purchase, catalogue/model and serial numbers available when calling. Limited warranty service requires a proof of purchase of the product.

What Dimplex will do in the event of a defect

In the event a product or part covered by this limited warranty is proven to be defective in material or workmanship during (i) the 2 year limited warranty period for products other than fireplace surrounds (mantels) and trims, and (ii) the 1 year limited warranty period for surrounds (mantels) and trims, you have the following rights:

- Dimplex will in its sole discretion either repair or replace such defective product or part without charge. If Dimplex is unable to repair or replace such product or part, or if repair or replacement is not commercially practicable or cannot be timely made, Dimplex may, in lieu of repair or replacement, choose to refund the purchase price for such product or part.
- Limited warranty service will be performed solely by dealers or service agents of Dimplex authorized to provide limited warranty services.
- **For products other than surrounds (mantels) and trims**, this 2 year limited warranty entitles the purchaser to on-site or in-home warranty services. Accordingly, Dimplex will be responsible for all labour and transportation associated with repairing or replacing the product or part except as follows: (i) charges which may be levied for travel costs incurred to travel to the purchaser's site where the product is located if the purchaser's site is beyond 30 miles (48 km) from the closest service depot of Dimplex's dealer or service agent; and (ii) the purchaser is solely responsible for providing clear access to all serviceable parts of the product.
- **For surrounds (mantels) and trims**, this 1 year limited warranty does not entitle the purchaser to on-site or in-house warranty services. The purchaser is responsible for removal and transportation of the surrounds (mantels) and trims (and any repaired or replacement product or part) to and from the authorized dealer's or service agent's place of business. On-site or in-home services for surrounds (mantels) and trims may be performed at the purchaser's specific request and expense at Dimplex's then-current rates for such services. Dimplex will not be responsible for, and this limited warranty shall not include, any expense incurred for installation or removal of the surrounds (mantels) or trims or any part thereof (or any replacement product or part) including, without limitation, all shipping costs and transportation costs to and from the authorized dealer's or service agent's place of business and all labour costs. Such costs shall be the purchaser's responsibility.

What Dimplex and its dealers and service agents are also not responsible for:

IN NO EVENT WILL DIMPLEX, OR ITS DIRECTORS, OFFICERS, OR AGENTS, BE LIABLE TO THE PURCHASER OR ANY THIRD PARTY, WHETHER IN CONTRACT, IN TORT, OR ON ANY OTHER BASIS, FOR ANY INDIRECT, SPECIAL, PUNITIVE, EXEMPLARY, CONSEQUENTIAL, OR INCIDENTAL LOSS, COST, OR DAMAGE ARISING OUT OF OR IN CONNECTION WITH THE SALE, MAINTENANCE, USE, OR INABILITY TO USE THE PRODUCT, EVEN IF DIMPLEX OR ITS DIRECTORS, OFFICERS, OR AGENTS HAVE BEEN ADVISED OF THE POSSIBILITY OF SUCH LOSSES, COSTS OR DAMAGES, OR IF SUCH LOSSES, COSTS, OR DAMAGES ARE FORESEEABLE. IN NO EVENT WILL DIMPLEX, OR ITS OFFICERS, DIRECTORS, OR AGENTS BE LIABLE FOR ANY DIRECT LOSSES, COSTS, OR DAMAGES THAT EXCEED THE PURCHASE PRICE OF THE PRODUCT.

SOME JURISDICTIONS DO NOT ALLOW THE EXCLUSION OR LIMITATION OF INCIDENTAL OR CONSEQUENTIAL DAMAGES, SO THE ABOVE LIMITATION OR EXCLUSION MAY NOT APPLY TO THE PURCHASER.

How State and Provincial law apply

This limited warranty gives you specific legal rights, and you may also have other rights which vary from jurisdiction to jurisdiction. The provisions of the United Nations Convention on Contracts for the Sale of Goods shall not apply to this limited warranty or the sale of products covered by this limited warranty.



1-888-DIMPLEX
1-888-346-7539

Dimplex[®]

1367 Industrial Road
Cambridge, Ontario
Canada, N1R 7G8